

# Microphone Leads With Adjustable Gain Control



## Features

- Discreet
- Compact Size
- 7.5mm Dia
- Low Voltage

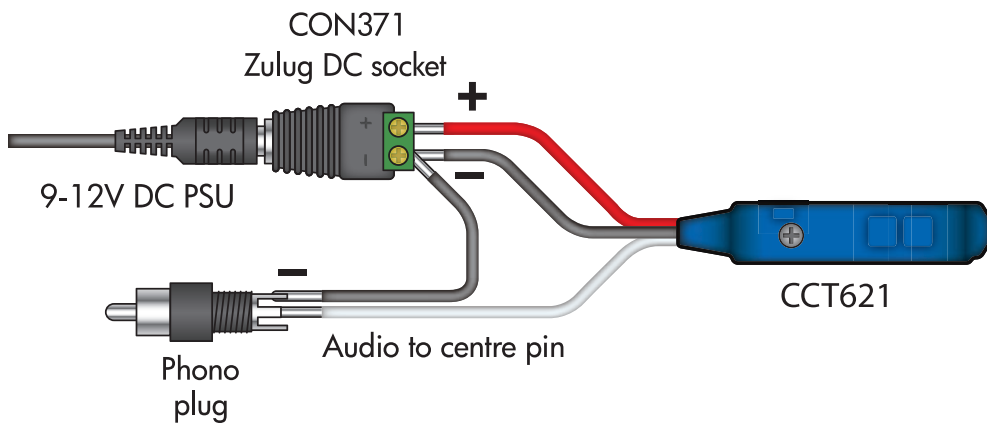
## Specification

FUNCTION	SPECIFICATION
Output Connection	3 Wire Fly Lead (CCT621) Phono & DC (CCT623)
Power	9 - 12V DC
Current Consumption	15mA (CCT621) 20mA (CCT623)
Frequency	100Hz - 5kHz
Gain	Fixed
Use	Internal Use Only
Cable Length	100mm (CCT621) 400mm (CCT623)
Output	600 ohms Unbalanced
Dimensions	7.5mm Dia x 30mm (Mic)

## Tiny Covert Microphone With Adjustable Gain Control

Contains a microphone with adjustable gain control and pre-amp. Compact size, ideal for building in to other equipment. Fits in the smallest of spaces such as drill holes. Two connection options are available, 3 wire fly lead or moulded phono and DC power.

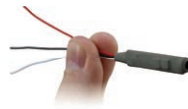
## How To Wire The CCT621



## Options Available

PART CODE	DESCRIPTION
CCT621	3 Wire Fly Lead
CCT623	Phono & DC Power

## Other Products To Consider



Microphone With  
3 Wire Fly Lead  
CCT620



Microphone With  
Phono & DC Power  
Connections  
CCT622

## Gain Adjustment



You can adjust the gain on the CCT621 and CCT623 using a small Philips head screwdriver.



For a guide on adding audio to an existing CCTV system see online tip 292 ▶▶▶

All specifications are approximate. System Q Ltd reserves the right to change any product specifications or features without notice. Whilst every effort is made to ensure that these instructions are complete and accurate, System Q Ltd cannot be held responsible in any way for any losses, no matter how they arise, from errors or omissions in these instructions, or the performance or non-performance of the equipment that these instructions refer to.

This symbol on the products and/or accompanying documents means that used electronic equipment must not be mixed with general household waste. For treatment, recovery and recycling please return this unit to your trade supplier or local designated collection point as defined by your local council.

WEE/CG0783SS