



Features

- Discreet
- Stylish Design

Specification

FUNCTION	SPECIFICATION
Power	9 - 12V DC
Power & Audio Connection	3 Wire Fly-lead
Current Consumption	20mA
Frequency	100Hz - 5kHz
Output	600 ohms Unbalanced
Use	Internal Use Only
Cable Length	150mm
Mount	Ceiling
Dimensions	Ø85mm x 58mm

Options Available

PART CODE	DESCRIPTION
CCT629	Ceiling Mount Microphone

Other Products To Consider



500mA 12V DC
2.1mm PSU
POW150

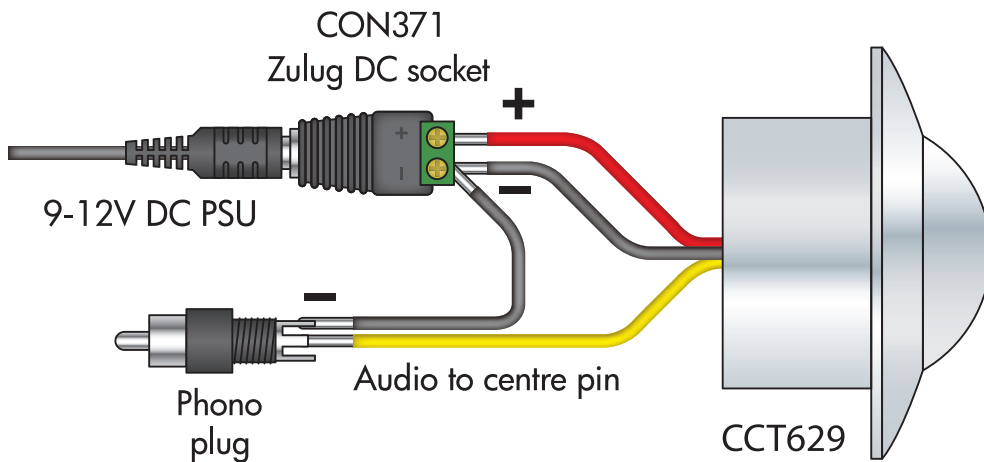


2.1mm DC Socket
With Terminal Strip
Adapter
CON371

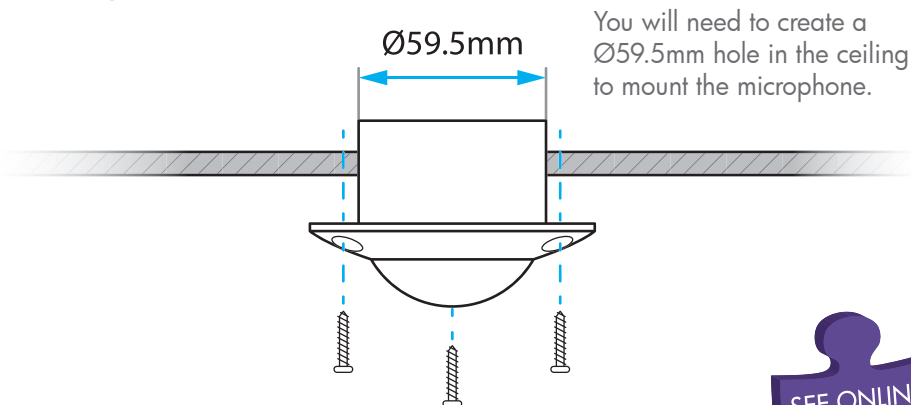
Ceiling Mounted Saucer Microphone In Silver

A discreet ceiling mounted microphone. Stylish silver design to suit most offices and commercial buildings.

How To Wire The CCT629



Mounting The CCT629



For a guide on adding audio to an existing CCTV system see online tip 292 ▶▶▶



All specifications are approximate. System Q Ltd reserves the right to change any product specifications or features without notice. Whilst every effort is made to ensure that these instructions are complete and accurate, System Q Ltd cannot be held responsible in any way for any losses, no matter how they arise, from errors or omissions in these instructions, or the performance or non-performance of the equipment that these instructions refer to.

This symbol on the products and/or accompanying documents means that used electronic equipment must not be mixed with general household waste. For treatment, recovery and recycling please return this unit to your trade supplier or local designated collection point as defined by your local council.

WEE/CG0783SS