



DIST1664

Duplicate HD video inputs into multiple HD video outputs!

No need to worry about compatibility issues or future upgrades! The Scatterbox range of Video Distributors feature Quad technology for compatibility with HD-TVI, HD-CVI, AHD and standard analogue!

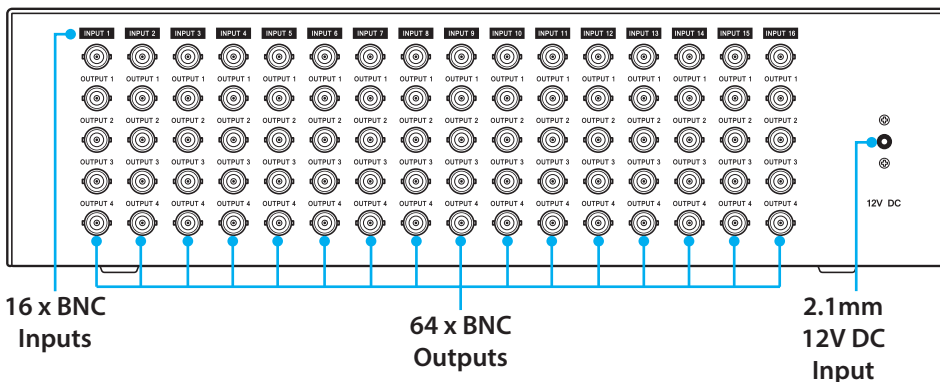
The DIST1664 rack mounted video distributor is capable of duplicating 16 video input signals to 64 outputs.

Video distributors take video inputs and duplicates them for multiple outputs allowing them to be driven to additional equipment such as extra monitors and quads, or for running extra video signals around a building.

They are popular in commercial and retail installs where a variety of viewing screen combinations are required.

These distributors are great for long cable runs as they can send each signal over 200 metres without interference.

Connections:



Note: The DIST1664 has 16 BNC video inputs and each input has 5 BNC video outputs, a total of 64 video outputs.

Features

- HD 1080P
- Quad Technology
- Analogue, AHD, TVI & CVI Compatible
- 16 Inputs to 64 Outputs
- BNC Connections
- 12V DC PSU Supplied
- Rack Mount
- Long Cable Runs (Up to 200m)

Specification

FUNCTION	SPECIFICATION
Inputs	16
Input Type	Video
Input Connection	BNC
Outputs	64
Output Type	Video
Output Connection	BNC Socket
Bandwidth	36 MHz
Consumption	700mA
Power	12V DC
PSU	Supplied
Bracket	Rack Mount
Dimensions	420 x 790 x 111mm

Options Available

PART CODE	DESCRIPTION
DIST0104	1 In 4 Out Video Distributor
DIST0408	4 In 8 Out Video Distributor
DIST0824	8 In 24 Out Video Distributor
DIST0116	1 In 16 Out Video Distributor
DIST1664	16 In 64 Out Video Distributor

Other Products To Consider



5m BNC-BNC Lead
VID165



BNC Right Angle Coupler (2 Pack)
CON002

All specifications are approximate. System Q Ltd reserves the right to change any product specifications or features without notice. Whilst every effort is made to ensure that these instructions are complete and accurate, System Q Ltd cannot be held responsible in any way for any losses, no matter how they arise, from errors or omissions in these instructions, or the performance or non-performance of the equipment that these instructions refer to.



WEE/CG078355

This symbol on the products and/or accompanying documents means that used electronic equipment must not be mixed with general household waste. For treatment, recovery and recycling please return this unit to your trade supplier or local designated collection point as defined by your local council.