



## Send HDMI signals over a LAN even through switches!

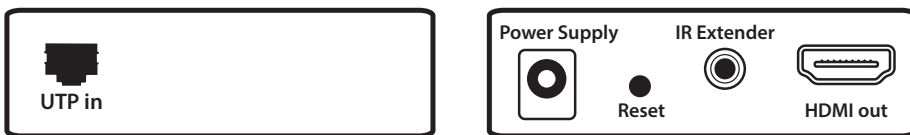
Sometimes it's convenient to locate your DVR or NVR in one part of a building but you want the monitor in a different location or even multiple monitors in multiple locations. As modern CCTV equipment uses HDMI outputs to drive monitors you need a solution that can send the HDMI signals to different locations. As most buildings have a CAT5/6 network you can piggy back on this and distribute the HDMI over the network using our HDMI mules.

You need a pair of mules one being the Transmitter (TX) device one being the receiver (RX). It's possible also to use one Transmitter to send the signal over the network to multiple Receivers so you can view the HDMI output in multiple locations.

The mules send HDMI data in one direction and IR control signals in the other direction so you can watch and control your DVR/NVR from remote locations over a network.

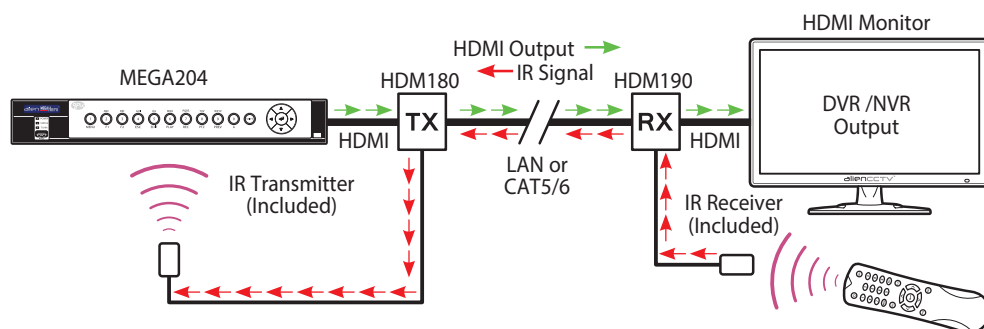
*Tip: You can buy HDMI over CAT5 boxes that are simply "Baluns" these basic devices will not allow you to send HDMI over a LAN or LAN switches. If you want the full flexibility of HDMI over a true network use a mule!*

### Connections:



The diagram above displays the connections for the receiver unit (Code: HDM190). The connections will be the opposite for the transmitter unit (Code: HDM180) with HDMI input and CAT5 output.

### How It Works



### Features

- 1 TX Can Transmit to Multiple RXs
- Preconfigured for Most Networks
- IR Control Over Remote Equipment
- Compact Wall Mountable Units
- Minimal Set-Up Required
- Low Voltage
- PSU Supplied

### Specification

| FUNCTION          | SPECIFICATION       |
|-------------------|---------------------|
| Inputs            | 1                   |
| Input Type        | HDMI (TX) CAT5 (RX) |
| Outputs           | 1                   |
| Output Connection | CAT5 (TX) HDMI (RX) |
| Video Output      | 1080p @ 60Hz        |
| Power             | 5V DC, 620mA        |
| PSU               | Supplied            |
| Cable Type        | CAT5 or Better      |
| Dimensions        | 92mm x 79mm x 20mm  |

### Options Available

| PART CODE | DESCRIPTION      |
|-----------|------------------|
| HDM180    | Transmitter Unit |
| HDM190    | Receiver Unit    |
| HDM200    | TX & RX Pair     |

### Other Products To Consider

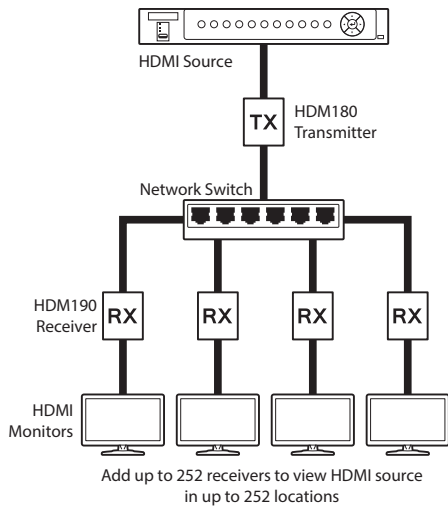


All specifications are approximate. System Q Ltd reserves the right to change any product specifications or features without notice. Whilst every effort is made to ensure that these instructions are complete and accurate, System Q Ltd cannot be held responsible in any way for any losses, no matter how they arise, from errors or omissions in these instructions, or the performance or non-performance of the equipment that these instructions refer to.

This symbol on the products and/or accompanying documents means that used electronic equipment must not be mixed with general household waste. For treatment, recovery and recycling please return this unit to your trade supplier or local designated collection point as defined by your local council.

WEE/CG078355

## Example - Multiple Receivers



A single transmitter unit can connect to multiple receivers, as shown in the diagram above. This enables you to connect your DVR or any other HDMI source to a single transmitter and view the output in multiple locations over your network. You can even control your DVR remotely from multiple receivers with the IR transmitter and receiver which are included with the HDMI mules.

### Features

- 1 TX Can Transmit to Multiple RXs
- Preconfigured for Most Networks
- IR Control Over Remote Equipment
- Compact Wall Mountable Units
- Minimal Set-Up Required
- Low Voltage
- PSU Supplied

### Specification

| FUNCTION          | SPECIFICATION       |
|-------------------|---------------------|
| Inputs            | 1                   |
| Input Type        | HDMI (TX) CAT5 (RX) |
| Outputs           | 1                   |
| Output Connection | CAT5 (TX) HDMI (RX) |
| Video Output      | 1080p @ 60Hz        |
| Power             | 5V DC, 620mA        |
| PSU               | Supplied            |
| Cable Type        | CAT5 or Better      |
| Dimensions        | 92mm x 79mm x 20mm  |

### Options Available

| PART CODE | DESCRIPTION      |
|-----------|------------------|
| HDM180    | Transmitter Unit |
| HDM190    | Receiver Unit    |
| HDM200    | TX & RX Pair     |

### Other Products To Consider



10m HDMI-HDMI Lead  
VID510



2m RJ45 Patch Lead  
NET982



2m HDMI-HDMI Lead  
VID502



15m RJ45 Patch Lead  
NET987

All specifications are approximate. System Q Ltd reserves the right to change any product specifications or features without notice. Whilst every effort is made to ensure that these instructions are complete and accurate, System Q Ltd cannot be held responsible in any way for any losses, no matter how they arise, from errors or omissions in these instructions, or the performance or non-performance of the equipment that these instructions refer to.



WEE/CG078355

This symbol on the products and/or accompanying documents means that used electronic equipment must not be mixed with general household waste. For treatment, recovery and recycling please return this unit to your trade supplier or local designated collection point as defined by your local council.