



Instruction Manual

NiteDevil 24C Camera

IPCND714

2.8mm IP NiteDevil Hero Mini Eyeball - 4MP

Table of Contents

Part 1 Introduction - NiteDevil Hero	1
1 Key Features	1
2 Essential Tools and ZipFinder	2
Part 2 Connections	3
Part 3 Mounting	4
Part 4 SD Card	4
Part 5 Setup Options	5
1 PoE ZIP NVR	5
2 Non-PoE ZIP NVR	6
Part 6 How to Login via Browser	7
Part 7 Browser Menu Settings	9
1 IPCND714	9
Part 8 Customising the Day / Night Setting to IR	14
Part 9 AI Features - IPCND714	15
1 PID = Perimeter Intrusion Detection	16
2 LCD = Line Crossing Detection	17
Part 10 General Maintenance	18
Part 11 Specifications	19
1 IPCND714	19
Part 12 Conditions	20
Index	21

Introduction - NiteDevil Hero

The NiteDevil Hero can stay in full colour around the clock using its built in white light LEDs to produce superb full colour images.

Up to 25m IR range (true day/night filter) and up to 20m white light range, 4MP resolution, built in PoE, H265 and H264 codec. With built in dual IR and white light you can choose how the camera best works in your install. Using white light to give visual warning or using IR illumination to get a more discreet set up.

This model also features blue and red deterrence LED as an option which can warn off intruders, similar to law enforcement strobe lights. **Adjustable with compatible NVR / DVR Firmware.*

A built in microphone means you can see and hear what's happening, recording the audio & video on your NVR for the best possible CCTV evidence.

Dual PoE and 12V means you can power and connect the camera to POE NVRs in seconds using one simple CAT5/6 cable for video, power and audio. If your system doesn't support PoE use the 12V input or a PoE injector such as our [POE200](#).

1.1 Key Features

- Full Colour 24/7
- Sees in Low Light
- NiteDevil® Tech
- 4MP
- Stunning Images
- ONVIF
- White or Grey Case
- IP66 In & Outdoor
- Dual PoE/12V
- Dual IR & White Light
- Red & Blue Strobe Deterrence
- Wide-Angle 2.8mm
- Built-in Mic
- Metal Case
- Motion Detect
- Picture Flip

1.2 Essential Tools and ZipFinder

To install this product you will need:

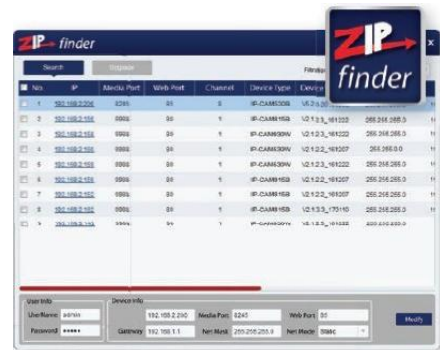
- Laptop / Windows PC
- Screwdriver
- Drill
- ZIP NVR or DVR
- PoE Switch / 12V DC power supply
- Ethernet CAT5/5e/6 Cable

ZipFinder - IP Camera Configuration Tool

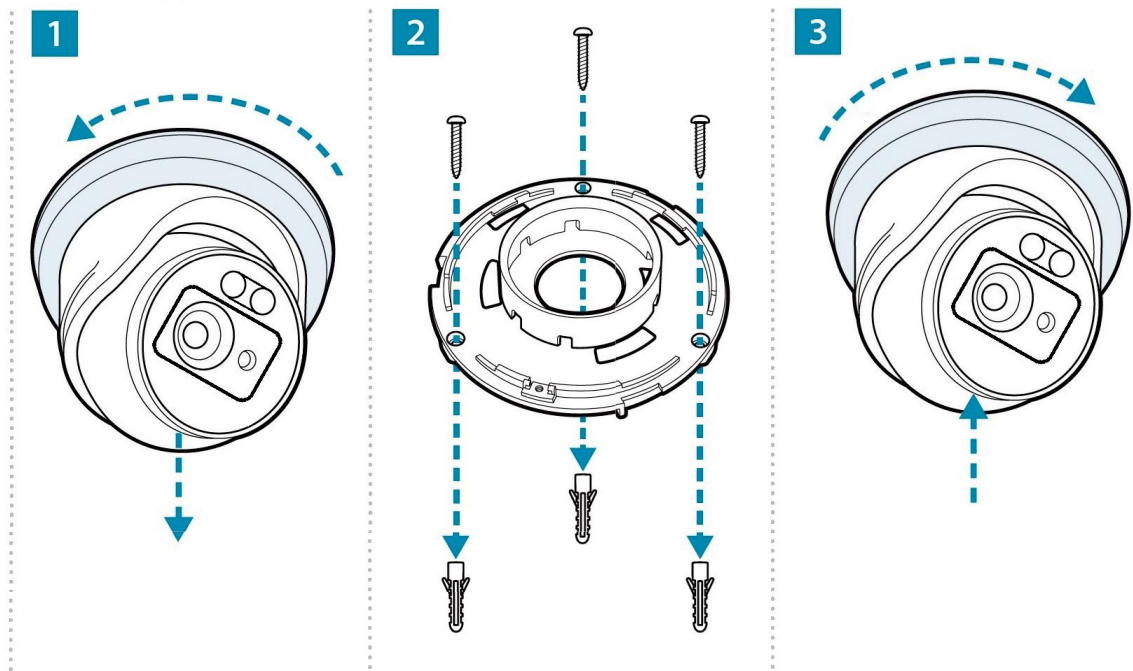
ZipFinder is a Windows PC software for discovering and configuring IP cameras a network.

Use ZipFinder on non-PoE installs, to help problem solving issues such as forgotten or unknown IP Addresses.

To download visit ZipNVR.com



Mounting



SD Card

The SD Card can be found on the rear of the eyeball, a small gasket will need to be removed to install the SD card.

For local recording on the camera itself an SD card must be installed.

Recording time will vary dependent upon: SD card size and encoding settings

32GB SD Card ≈ 31 hours
64GB SD Card ≈ 62 hours
128GB SD Card (MAX) ≈ 124 hours

The camera can be set to only record when triggered via *motion detection*, *alarm input* or *AI smart*, this maximises the recording time achievable.

Remove power from the camera when inserting / removing the SD card.

Setup Options

5.1 PoE ZIP NVR

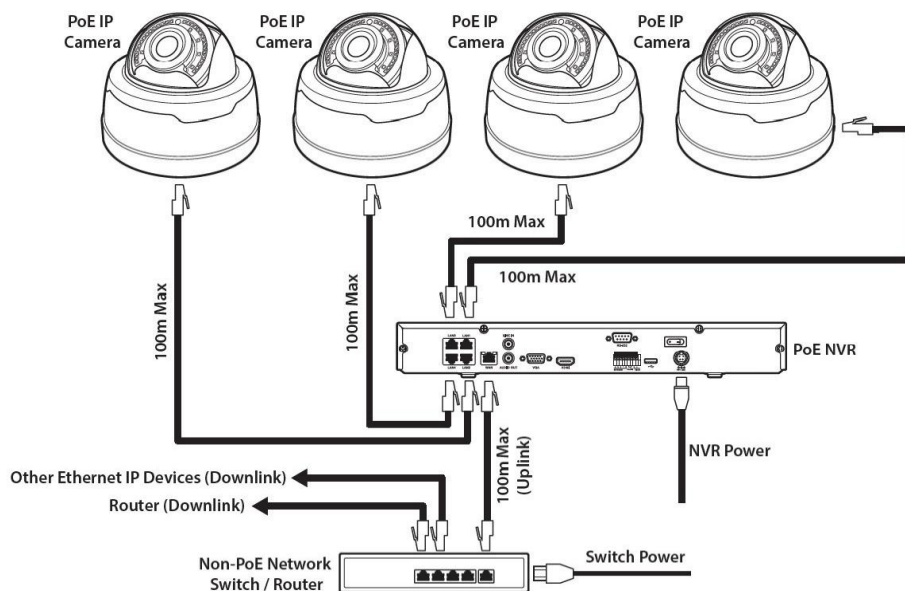
When connecting to a **ZIP PoE NVR** plug the camera directly into the NVR's built in PoE switch.

The camera should automatically become visible after being connected for approximately 1 minute.

The 100m distance for a camera can be increased when the PoE Mode is set to EPoE.

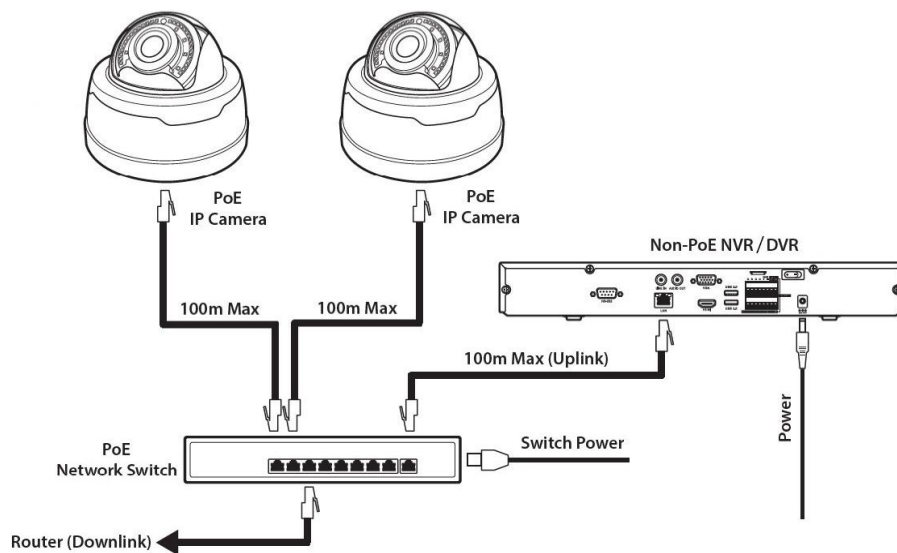
In the menu on a ZIP PoE NVR go to:-

Video > IP Channels > PoE Mode



5.2 Non-PoE ZIP NVR

When connecting cameras to a **Non-PoE NVR**, they are first connected to an external network switch which is in-turn connected to the NVR as shown below.



See Extra Resources for more information on **Adding IP Cameras manually** to a ZIP Recorder.

How to Login via Browser

The AI smart features can be configured in a ZIP recorder or directly in the browser interface of the camera (standalone)

Only one smart detection feature can be enabled at any given time.

See the NVR or DVR manual for information on configuring these features with a ZIP recorder.

Follow the steps below for configuring the settings directly in the camera via a browser for standalone setup.

You will need...

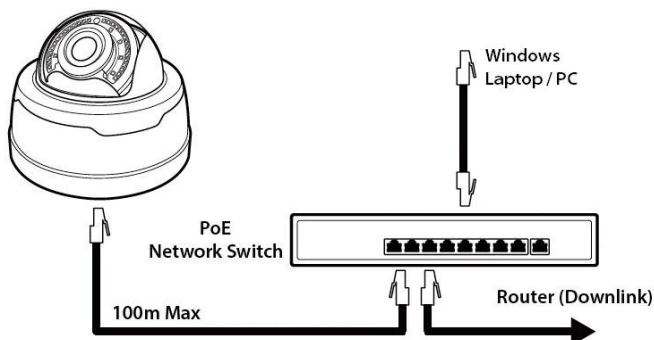
- Windows Based PC/ Laptop connected to router/ PoE switch
- ZipVision Pro App on Mobile Device
- PoE Switch connected to Network/ Router
- Ethernet network cable
- [ZipFinder](#) software, available via this link below:-

www.softcctv.com/store/Item/Zip-Finder-IP-CCTV-Security-Camera-Discovery-Tool

NOTE If the PC being used is on a different IP range to the PC then add the IP range of the camera to the PC using the below guide:-

<https://softcctv.com/helpdesk/kb/faq.php?id=571>

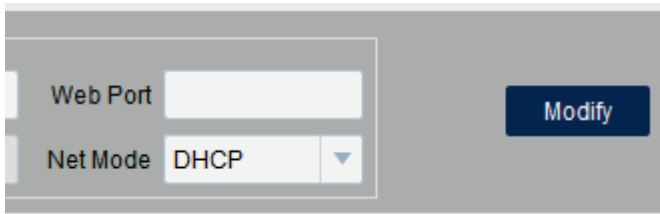
1. Plug the camera's RJ45 port with a network cable into a PoE switch



2. Using ZipFinder on a Windows Based PC/ Laptop **Search** and then tick the camera



3. Select Net Mode = **DCHP**, then click **Modify**



4. **Search** again, to get the updated IP address.

5. **Select** the IP address of the camera, Internet Explorer will pop-up, and ask to download and install the plug-in.

6. **Download, install** and follow the steps for the plug-in installation, then re-load the browser by **selecting** the IP address again.

5. Login to the IP Camera, the **default** login details are:-

User Name	admin
Password	777777

Browser Menu Settings

7.1 IPCND714

The menu be configured directly in the browser interface of the camera (standalone), in Remote Setting you will find the menu settings below:-

Video	Live		Name	Camera (user editable)	
	Image Control		Date Format	DD/MM/YYYY / MM/DD/YYYY / YYYY/MM/DD	
			Time Format	24 Hour / 12 Hour	
			Flicker Control	50Hz / 60Hz	
			Show Name	Enable / Disable	
			Show Time	Enable / Disable	
			Save / Refresh		
	Image Control		Image Setting	Full Colour Mode / Day/Night Mode / Schedule	
			Mode	Manual / Automatic mode / Schedule / OFF	
			Angle Trad	180 / 0	
			Mirror	Disable / Vertical / Horizontal / All	
			Backlight	DWDR / HLC / BLC / Disable	
			White Balance	Automatic mode / Manual	
			Shutter	Automatic mode / Manual	
			Time Exposure	1/5 to 1/200000 / Flickerless	
			3D Noise Reduction	OFF / Automatic Mode / Manual	
			Save / Default / Refresh		
	Privacy Mask		Enable / Disable		
	Record	Encode	Mainstream	Resolution	2560 x1440
				FPS	1 -25
Video Code Type				H.265 / H.264	
Video Code Level				Main Profile	
Bitrate Control				CBR / VBR	
Bitrate Mode				Predefined / User-Defined	
Bitrate				512 to 4096	
I Frame Interval				1 to 100	
Audio				Enable / Disable	
Save / Refresh					
Substream			Resolution	640 x 480	
			FPS	1 -25	
		Video Code Type	H.265 / H.264		
		Video Code Level	Main Profile / Baseline / High Profile		
		Bitrate Control	CBR / VBR		
		Bitrate Mode	Predefined / User-Defined		
Bitrate		128 to 1024			

			I Frame Interval	1 to 100		
			Audio	Enable / Disable		
			Save / Refresh			
			Record	Record	Stream Mode	Mainstream / Substream
					Record	Enable / Disable
					PreRecord	Enable / Disable
					Netbreak	Enable / Disable
			Save / Refresh			
			Schedule	User Definable	Save / Refresh	
Event	Setup	Motion	Enable	Enable / Disable		
			Sensitivity	1 to 8		
			Smart motion detection	Enable / Disable		
			Save / Refresh			
		Deterrence	Warning Light	Enable / Disable		
			Warning Light Duration	5 to 180		
			Save / Default / Refresh			
		Siren	Siren	Enable / Disable		
			Siren Type	Alarm 1		
			Siren Level	1 to 10		
			Siren Duration	5 to 180		
		Save / Refresh				
		Sound Detection	Enable	Enable / Disable		
			Rise	Enable / Disable		
			Rise Sensitivity	1 to 100		
			Sound Intensity	1 to 100		
			Decline	Enable / Disable		
			Decline Sensitivity	1 to 100		
		Save / Schedule / Refresh				
		Alarm	Motion	Post Recording	OFF / 5s / 10s / 20s / 30s	
				Send Email	Enable / Disable	
				FTP Picture Upload	Enable / Disable	
				Enable Record	Enable / Disable	
				Deterrent	Enable / Disable	
			Save / Schedule / Refresh			
			Sound Detection	Post Recording		
				Send Email		
				Enable Record		
Save / Schedule / Refresh						
AI	Setup	PID	Enable	Enable / Disable		
			Sensitivity	1 to 4		
			Detection Type	Pedestrian & Vehicle / Person / Vehicle		

			Rule Number	1 to 4			
			Rule Enable	Enable / Disable			
			Rule Type	A→B / B→A / A←→ B			
			Save / Refresh				
		LCD	Enable	Enable / Disable			
			Sensitivity	1 to 4			
			Dynamic Marking	Enable / Disable			
			Detection Type	Pedestrian & Vehicle / Person / Vehicle			
			Rule Number	1 to 4			
			Rule Enable	Enable / Disable			
			Rule Type	A→B / B→A / A←→ B			
			Save / Refresh				
	Alarm	PID / LCD	Post Recording	OFF / 5s / 10s / 20s / 30s			
			Send Email	Enable / Disable			
			FTP Picture Upload	Enable / Disable			
			Enable Record	Enable / Disable			
			Deterrent	Enable / Disable			
			Save / Schedule / Refresh				
	Network	General	General	DCHP	Enable / Disable		
				IP Address	User-definable		
Subnet Mask				User-definable			
Gateway				User-definable			
DNS 1				User-definable			
DNS 2				User-definable			
Video Encryption Transmission				Enable / Disable			
Save / Refresh							
Port Configuration			HTTP Port	Enable / Disable	User-definable		
			Client Port				
			HTTPS Port				
			RTSP Port				
			Muticast Port	1024 – 65535			
			P2P Enable	Enable / Disable			
Save / Refresh							
Email		Email	Enable / Disable				
		Encryption	OFF / SSL / TLS / Automatic mode				
		SMTP Port	1 - 65535				
		SMTP Server	User-definable				
		Username					
	Password						
	Sender						
	Receiver 1						
Receiver 2							
Receiver 3							
Interval							

			Save / Test / Refresh		
		RTSP	RTSP Enable		
			Anonymous Login	Enable / Disable	
			Instruction: rtsp://IP:RtspPort/ch01/A A: 0(main stream), 1(sub stream), 2(mobile stream)		
			Save / Refresh		
		DDNS	DDNS	Enable / Disable	
			Server	NO_IP / DYNDNS	
			Hostname	User-definable	
			Username	User-definable	
			Password	User-definable	
		HTTPS	Certificate Type	Default / Custom	
			Save / Refresh		
Storage	Disk	Select Disk			
		Overwrite	OFF / Auto		
		Save / Format Hard Disk / Refresh			
	Audio	Enable Audio	Enable / Disable		
		Output Volume	0 – 8		
		Input Volume	0 – 8		
		Audio Code Type	G711A / G711U		
		Save / Refresh			
System	General	Date and Time	Time Setting mode	Static / NTP server synchronization	
			Date Format	Day/Month/Year Year-Month-Day Month/Day/Year	
			Time Zone	GMT -12:00 to GMT + 13:00	
			Time Format	24Hour / 12 Hour	
			System Time	User-definable	
			Server Address	Time.windows.com / time.nist.gov / pool.ntp.org / Define User	
			Save / Synchronize computer time / Refresh		
		Daylight Saving Time	Daylight saving time	Enable / Disable	Set by week / set by date
			Start Time	User-definable	
			End Time	User-definable	
			Time Offset	1Hour / 2 hours	
			Save / Refresh		
	Multi-User	Customize Each user	Password (Edit)	Username	User-definable
				Password	User-definable
				Password Strength	User-definable
			Confirm		
	Refresh				

	Maintain	Log	Log Type	System / CON. / Alarm / Account / Record / Storage / Network / All	Search	
			Start Time	User-definable		
			End Time	User-definable		
		Load Default	All / Video / Record / Event / AI / Network / Storage / System			
			Save / Refresh			
		Upgrade	Path	Search Local Files	Upgrade	
		Save / Load	Import File	Search Local Files	Import	
			Export File Name	Search Local Files	Export	
		Auto Reboot	Auto-maintenance	Enable / Disable		
			Time	Date / Week / Month		
				Mon / Tues / Wed / Thur / Fri / Sat / Sun		
				Time		
				Save / Refresh / Reboot		
	Information	Serial ID				
		Device Name				
		Device Type				
		Hardware Version				
		Software Version				
		Web Version				
		Mac Address				
P2P ID						
Refresh						

Customising the Day / Night Setting to IR

Once logged into the camera browser interface:-

Go To **Remote Settings** > **Video** > **Image Control** > **Image Settings**

e.g. Day / Night mode if want the camera to B&W & use the IR

Suggested setting : IR Cut to Auto.

The screenshot displays the Nite Devil 24C camera browser interface. The top navigation bar includes 'Live', 'Playback', and 'Remote Setting' (highlighted in red), along with a warning icon and a power icon. The left sidebar contains a menu with categories: Video (Live | Image Control | Privacy Mask), Record (Encode | Record), Event (Setup | Alarm), AI (Setup | Alarm | Statistics), Network (General | Email | FTP | RTSP | DDNS | IP Filter), Storage (Disk | Audio), and System (General | Multi-User | Maintain | Information). The main content area is titled 'Image Control' and lists various settings:

- Image Setting: Day/Night Mode
- IR-CUT Mode: Auto
- IR-CUT Delay: 2
- IR-LED: Manual
- Light Intensity: 100
- Advanced section:
 - Angle Trad: 180
 - Mirror: Disable
 - Backlight: Disable
 - White Balance: Automatic mode
 - Shutter: Automatic mode
 - Time Exposure: 1/8
 - Defog: OFF

AI Features - IPCND714

The AI smart features can be configured in a ZIP recorder or directly in the browser interface of the camera (standalone)

Only one smart detection feature can be enabled at any given time.


See the NVR or DVR manual for information on configuring these features with a ZIP recorder.

Note :- Additional features may be added at a later date.

9.1 PID = Perimeter Intrusion Detection

Perimeter intrusion detection can be set to trigger an alarm event when movement is detected in a set area.

PID LCD

Enable	<input type="checkbox"/>	
Sensitivity	4	
Detection Type	Person	
Rule Number	1	
Rule Enable	<input type="checkbox"/>	
Rule Type	A->B	
<input type="button" value="Save"/> <input type="button" value="Refresh"/> <input type="button" value="Delete"/> <input type="button" value="Delete All"/>		

Enable = **Enable** / **Disable** this AI feature.

Sensitivity - Determines how much activity or movement is required to generate an event. Options are **1 - 4**.

1 = Lowest sensitivity level, a significant amount of movement is needed to trigger.

4 = Highest sensitivity level, only a small amount of moment is needed to trigger.

Detection Type - Options are motion, pedestrian, vehicle or both pedestrian and vehicle.

Rule Number - Up to 4 areas can be set independently in the image area. Use this to enable / disable each of the 4 rules.

Rule Enable - Tick to enable or disable the detection that rule for the rule number selected.

Rule Type - The determines how the direction of moment over the perimeter is handled.

A to B (A->B) = Only movement in the direction A to B will trigger.


B to A (B->A) = Only movement in the direction B to A will trigger.

A or B (A<->B) = Any moment direction over the perimeter will trigger.

9.2 LCD = Line Crossing Detection

Line crossing detection can be set to trigger an alarm event when movement is detected across a custom line.

PID	LCD
Enable	<input type="checkbox"/>
Sensitivity	<input type="text" value="4"/>
Detection Type	<input type="text" value="Person"/>
Rule Number	<input type="text" value="1"/>
Rule Enable	<input type="checkbox"/>
Rule Type	<input type="text" value="A->B"/>



Enable = **Enable** / **Disable** this AI feature.

Sensitivity - Determines how much activity or movement is required to generate an event. Options are **1 - 4**.

1 = Lowest sensitivity level, a significant amount of movement is needed to trigger.

4 = Highest sensitivity level, only a small amount of moment is needed to trigger.

Detection Type - Options are motion, pedestrian, vehicle or both pedestrian and vehicle.

Rule Number - Up to 4 areas can be set independently in the image area. Use this to enable / disable each of the 4 rules.

Rule Enable - Tick to enable or disable the detection that rule for the rule number selected.

Rule Type - The determines how the direction of moment over the perimeter is handled.

A to B (A->B) = Only movement in the direction A to B will trigger.

B to A (B->A) = Only movement in the direction B to A will trigger.

A or B (A<->B) = Any moment direction over the perimeter will trigger.

General Maintenance

- Routinely clean the camera to prevent dust build up as this can effect the performance of the camera. It is recommended to use a damp non-abrasive microfibre cloth.
- Routinely check the connections for power and data to ensure no water ingress and corrosion.
- Check that the cameras are firmly attached to the wall or mounting bracket.
- Check playback in the recorder to ensure the camera is recording and triggering properly.

Specifications

11.1 IPCND714

Resolution	4MP (2592 x 1520)
Lens Type	Wide Angle 2.8mm Fixed
Video Compression	H264 / H265
Bit Rate	128Kbps ~ 4Mbps
Shutter	1/5 ~ 1/20000s ~ Flickerless
Min. Illumination	Colour 24/7 with White Light LEDs
Day/Night Function	Auto or Scheduled
Microphone	Built-in
IR LEDs	1x High Power
IR Range	Up to 25m
White Light	2x High Power
White Light Range	Up to 20m
Gain Control	Auto
Video Connection	RJ45 Socket
Onvif	Yes
Protocol	TCP/IP, HTTP, DHCP, DNS, DDNS, RTP/RTSP
Other Protocols	SMTP, NTP, HTTPS
White Balance	Auto / Manual
Input Voltage	12V DC (420mA) / PoE 48V /
Consumption	1.2 - 5W
Power Connection	12V – 2.1mm DC Socket / PoE – RJ45
IP Rating	IP66
Build	Metal
Dimensions	100mm x (H) 90mm

Conditions

All specifications are approximate. System Q Ltd reserves the right to change any product specifications or features without notice. Whilst every effort is made to ensure that these instructions are complete and accurate, System Q Ltd cannot be held responsible in any way for any losses, no matter how they arise, from errors or omissions in these instructions, or the performance or non-performance of the equipment that these instructions refer to.



WEE/CG0783SS

This symbol on the products and/or accompanying documents means that used electronic equipment must not be mixed with general household waste. For treatment, recovery and recycling please return this unit to your trade supplier or local designated WEE/CG0783SS collection point as defined by your local council.



RoHS ✓

© Copyright 2020

NiteDevil is a registered trademark of System Q Ltd, Chesterfield. Derbyshire. S40 2WB

Index

- C -

Checking and cleaning the camera 18
Connections 3

- D -

Day / Night Setting 14

- E -

Essential Tools and software 2

- I -

Installation 4
Installing an SD Card 4

- L -

Line Crossing Detection 17
Login via browser interface 7

- M -

Maintenance 18
Mounting the camera 4

- P -

Perimeter Intrusion Detection 16

- S -

Setup and Connection Options 5
Specification 19