



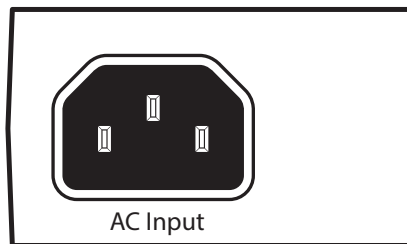
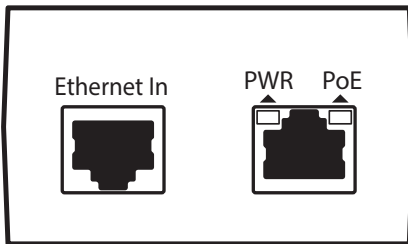
Power network video devices with this handy PoE Injector!

It may be on certain networks that are encountered, Power over Ethernet is not available to supply power when adding IP CCTV cameras. In this instance a useful addition is a PoE injector that works by adding a power source into the network run.

The POE200 injector works as a mid or end span device after upper network switches and devices and before cameras adding or injecting up to 30W of power into the Ethernet cable allowing PoE cameras to be added to the run thereafter. Typical cable runs of 100m into the device and 100m out of the device are easily achievable on a standard 100Mbps network.

Connections

The POE200 PoE injector is a quick and easy way of adding power to a non PoE network. There's just an RJ45 input for connecting the data, an IEC C13 socket for connecting the power (plug supplied) and a second RJ45 socket to output the combined power and data PoE signal.



Features

- Mid or End Span Pairings
- Simple In-Line Design
- Up to 200m Range

Specification

FUNCTION	SPECIFICATION
Max Bandwidth	10Mbps / 100Mbps /1000Mbps
Output Voltage	52V
Output Power	Up To 30W
Dimensions	120 x 62 x 38mm

Options Available

PART CODE	DESCRIPTION
POE200	PoE Injector

Other Products To Consider



RJ45 to 8 screw terminal
CON803



RJ45 Plug
(Pack of 10)
CON800



CAT5e Pro 200m
Black LSZH
CAB400



Patch Cable 15m
NET987

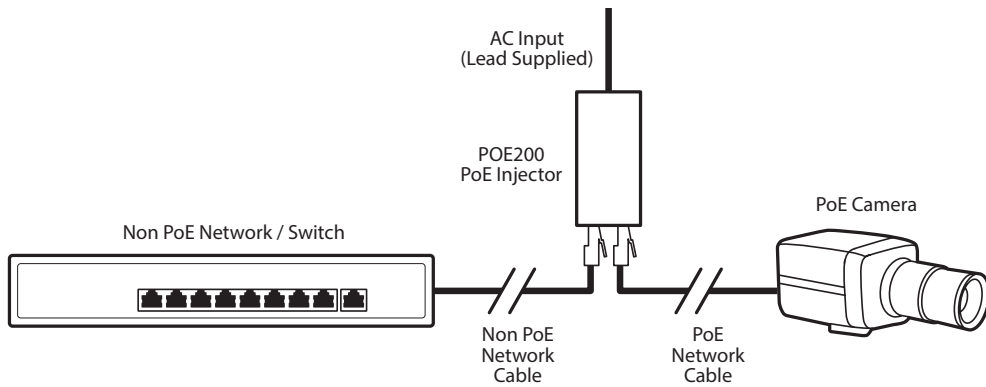
All specifications are approximate. System Q Ltd reserves the right to change any product specifications or features without notice. Whilst every effort is made to ensure that these instructions are complete and accurate, System Q Ltd cannot be held responsible in any way for any losses, no matter how they arise, from errors or omissions in these instructions, or the performance or non-performance of the equipment that these instructions refer to.

This symbol on the products and/or accompanying documents means that used electronic equipment must not be mixed with general household waste. For treatment, recovery and recycling please return this unit to your trade supplier or local designated collection point as defined by your local council.
WEE/CG078355



To see how to get the most out of PoE in your CCTV system see online tip 399 ▶▶▶

Connections



Features

- Mid or End Span Pairings
- Simple In-Line Design
- Up to 200m Range

Specification

FUNCTION	SPECIFICATION
Max Bandwidth	10Mbps / 100Mbps /1000Mbps
Output Voltage	52V
Output Power	Up To 30W
Dimensions	120 x 62 x 38mm

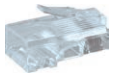
Options Available

PART CODE	DESCRIPTION
POE200	PoE Injector

Other Products To Consider



RJ45 to 8 screw terminal
CON803



RJ45 Plug (Pack of 10)
CON800




CAT5e Pro 200m Black LSZH
CAB400



Patch Cable 15m
NET987

All specifications are approximate. System Q Ltd reserves the right to change any product specifications or features without notice. Whilst every effort is made to ensure that these instructions are complete and accurate, System Q Ltd cannot be held responsible in any way for any losses, no matter how they arise, from errors or omissions in these instructions, or the performance or non-performance of the equipment that these instructions refer to.

 This symbol on the products and/or accompanying documents means that used electronic equipment must not be mixed with general household waste. For treatment, recovery and recycling please return this unit to your trade supplier or local designated collection point as defined by your local council.

WEE/CG078355



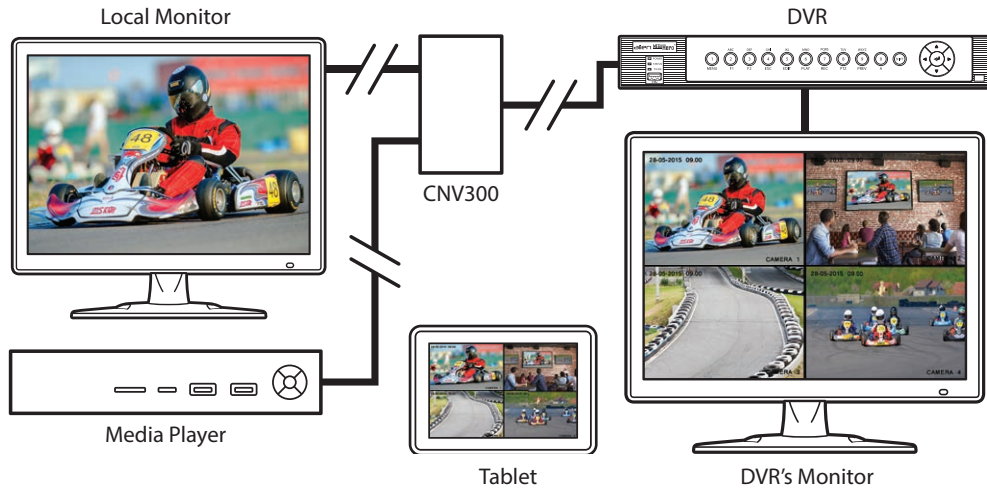
To see how to get the most out of PoE in your CCTV system see online tip 399 ▶▶▶

CNV300 - HDMI To TVI Converter With HDMI Loopthrough



See & record what your customer is actually seeing, even when you're not there

If your business relies on displaying or broadcasting visual footage to the visiting public such as a sporting event or live music then disruption in that media can be costly in terms of lost sales revenue. Why not connect your video/media feed onto your DVR and be aware or alerted as soon as the picture is lost. You'll be able to watch it on your mobile or tablet to ensure transmission continues even if you're not there.



Features

- Switchable 1080p / 720p
- Wall Mount Metal Case
- HD-TVI (BNC) Output
- HDMI Input
- HDMI Loopthrough

Specification

FUNCTION	SPECIFICATION
HDMI Input	1080p / 720P / 800x600 / 1024x768 / 1280x1024 / 1440x900
TVI Output	1080P/720P Switchable
Power	12V DC (PSU Supplied)
Consumption	310mA
Power Connection	2.1mm DC Socket
Dimensions	147 x 93 x 36mm

Options Available

PART CODE	DESCRIPTION
CNV300	HDMI To HD-TVI Converter

Other Products To Consider



5m HDMI Lead
VID505



HDMI Socket To
HDMI Plug
VID500

All specifications are approximate. System Q Ltd reserves the right to change any product specifications or features without notice. Whilst every effort is made to ensure that these instructions are complete and accurate, System Q Ltd cannot be held responsible in any way for any losses, no matter how they arise, from errors or omissions in these instructions, or the performance or non-performance of the equipment that these instructions refer to.



WEE/CG07835S

This symbol on the products and/or accompanying documents means that used electronic equipment must not be mixed with general household waste. For treatment, recovery and recycling please return this unit to your trade supplier or local designated collection point as defined by your local council.