



Instruction Manual

VOX111

VoiceOff Movement Activated MP3 Message
Player

Table of Contents

Part 1 Introduction to the VOX111	1
Part 2 Key Features	2
Part 3 Box Contents	3
Part 4 Required Tools / Handy Extras	3
Part 5 Connections & Wiring	4
1 Alarm Input	4
2 Micro USB	5
3 Power	5
4 Audio Input	6
5 L/R Out (Audio)	6
Part 6 Powering Up	6
Part 7 Setup Considerations	7
1 Free MP3 Messages Supplied	7
2 PIR	8
3 Alarm Input	8
4 Relay Delay (01-99 secs)	8
5 Indicator Light (Red)	8
Part 8 Mounting	9
Part 9 Troubleshooting	10
1 Problem – The unit isn’t playing a message.	10
2 Problem – The unit is playing the wrong messages.	10
3 Problem – The unit isn’t triggering a second time	10
Part 10 User Operation	11
Part 11 General Maintenance	11
Part 12 Specifications	12
Part 13 FAQs	12
1 How do I load up a new message file on to the VOX111 MP3 Player?	12
2 Are there any Free MP3 messages that I can use on the VOX111 MP3 Player?	12
3 How do I do change the output volume on the VOX111?	12
Part 14 Further Resources & Contact Details	13

1 Contact Us	13
Part 15 Conditions	14
1 Product Disclaimer	14
2 General Company Disclaimer	14
3 WEEE Declaration	14
4 Copyright	14
Index	16

Introduction to the VOX111

The **VoiceOFF** "VOX111" is a great way to automatically play pre-recorded messages to visitors at your business.

It features a built-in PIR that **plays a pre-recorded message** stored in it, when movement is detected, through a small built-in speaker. You can change the message stored in the VOX111 with your own personal one to tailor the message to your particular requirements.

The automatic playing of messages is a great reminder to visitors of your policies helping them and your staff to stay safe during the Covid outbreak. It's non-confrontational and never forgets to do its job!

With the ability to change the built in MP3 message, it's really easy to then use the VOX111 to play other general messages as times change, so you could use it to welcome guests and take a seat or suggest items you have on special offer.

The VOX111 can also be triggered to play a different MP3 message by triggering its alarm input. This allows you to link it to others devices such as automatic doors, alarm panels, fire alarms etc. Inside the VOX111 it has the ability to store the two MP3 messages, one is played back from being triggered by the PIR, the second being triggered by something external connected to its alarm input.

The VOX111 is an in-ceiling mount design so that it can sit in a ceiling tile or similar for a clean and easy installation. It is 12V powered and requires a suitable PSU such as a POW151. Alternatively you could run a 12V power supply from another 12V system within the premises for a neat installation.

To change the MP3 sound files stored on the VOX111 you simply connect it to a suitable computer or laptop and it will see it as a USB drive. Replace the MP3 files with your own using the correct naming protocol as listed in these instructions.



VOX111 - Movement Activated MP3 Message Player

Key Features

Built in PIR (up to 4M range)

PIR triggers Message 1

Alarm Input from a source such as a door contact, PIR or push button.

Alarm Input triggers Message 2

Ceiling Mounted 3W Speaker Design

Low voltage 12V DC

Low Current Consumption (20-300mA standby/playing)

2 Free MP3 Message (Easily swapped to your own if required)

Free Mini Remote Control for User Operation

External Audio Out put for additional amplifier

External Audio Input allows for general speaker user.

Box Contents

The VOX111 contains the following items:



1 x VOX111 VoiceOff Movement Activated MP3 Message Player

1 x Mini Remote Control handset

1 x Micro USB to USB Lead.

Required Tools / Handy Extras

Holesaw (Dia 108mm)

12V DC PSU (min 400mA) with a standard 2.1mm DC Plug

Screwdriver if adding additional alarm inputs

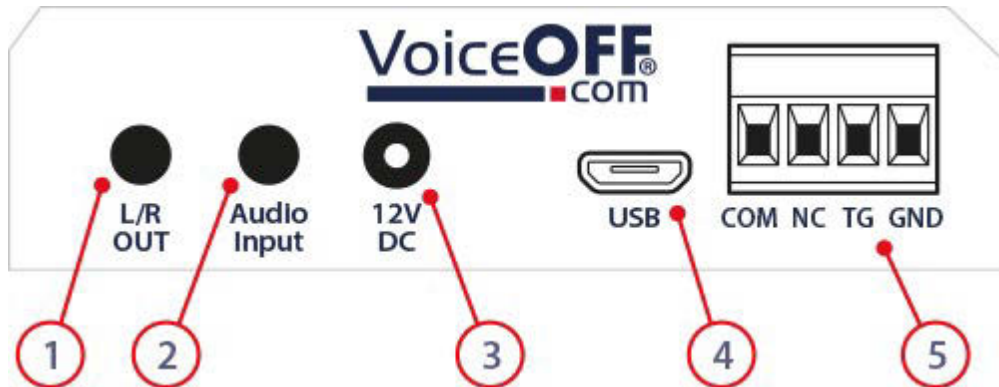
Alarm Cable if adding an alarm input extra to the built-in PIR

Alarm Input device (PIR, Door Contact) if adding a secondary alarm input

PC or Laptop (if intending to swap over the existing MP3 messages)

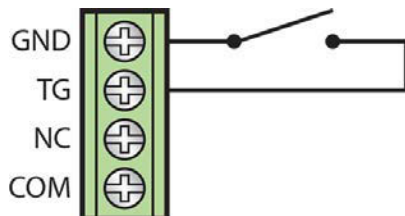
Phono Plugs or Leads (if connecting up the External Audio In and Outputs)

Connections & Wiring



No.	Label	Description
1	L/R Out	3.5mm audio socket for audio output
2	Audio Input	3.5mm audio socket for audio input
3	12V DC	2.1 mm DC Socket for connecting PSU
4	USB	Micro USB Socket for connecting to PC
5	COM NC TG GND	Screw terminal block for connecting alarm input and output

5.1 Alarm Input



A 4-way terminal strip used in conjunction with an external alarm input such as a wireless keyfob, door contact, push button, a secondary PIR or a DVR/NVR alarm output.

To trigger the second MP3 message (SQ02.mp3) connect "TG" to "GND" on the VOX111's relay terminals.

5.2 Micro USB

Used for connecting the unit to a PC, the micro USB leads connects into the rear of the player whilst the USB connects into the USB on your PC or Laptop. The player is seen as a USB drive allowing the free message (MP3) files to be swapped over to meet your exact requirements.

When replacing your MP3 message files please ensure the following naming conventions are adhered to:

SQ01.mp3 (PIR triggered message)

SQ02.mp3 (external alarm input triggered message)

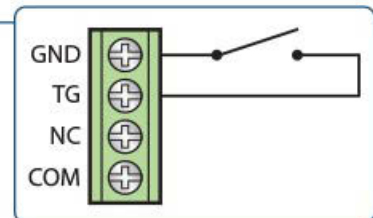
Trigger 1: PIR

“Welcome, face coverings are required whilst in this store thank you for helping keep us all safe”

The first MP3 message plays when the PIR detects movement.

PIR range: Up to 4m
PIR angle: 120°

Trigger 2: Relay



The second MP3 message plays by a relay trigger.

Trigger with: Wireless Key Fob, DVR/NVR, Push Button, Remote PIR etc.

“Please observe the social distancing measures we have in place during your visit”



Further free messages for the unit can be downloaded by visiting our website and entering your unit's serial number at:

voiceoff.com

5.3 Power

The unit requires 12V DC up to 300mA to operate. This is connected using the 2.1mm DC socket on the rear of the speaker case.

5.4 Audio Input

A standard 3.5mm audio jack input that allows the unit to be used as a standard (loud) speaker unit.

Please note: when the unit detects an external input on this port, it will override any other message functions.

5.5 L/R Out (Audio)

A standard 3.5mm audio jack socket connection for line audio output can be connected to an external amplifier for playing messages in a second area.

The output is line level output (-10dBV) which is around 0.5V peak to peak. If the amplifier being used does not have a line or mic input for lower line level inputs then a pre-amp may be required.

Note this output is not an auxiliary output, which tends to have a high line level output of around (0dBV) 1.0-1.2V peak to peak.

Powering Up

The VOX111 **VoiceOFF**[®] should be powered using a regulated 12V DC power supply of a minimum rating of 400mA. This can be plugged in using the 2.1mm DC power socket on the rear of the speaker case. The unit uses 20mA in standby mode and up to 300mA whilst operating.

Setup Considerations

It is worth taking a couple of minutes to conduct a site survey and bench test the unit to try out the messages before mounting the VOX111 in situ. It may be that you wish to switch around the messages played by the unit and this is easier to do near a PC or laptop rather than once it is installed.

7.1 Free MP3 Messages Supplied

The unit is supplied with 2 free messages that are named to automatically play once triggered by their respective inputs as follows:

SQ01.mp3 (PIR triggered message)

The PIR input on the VOX111 has been wired to trigger the following message:

SQ01.mp3 - this is the following free message as shipped at time of writing:

"Welcome face coverings are required whilst in this store, thank you for helping to keep us all safe."

SQ02.mp3 (External alarm input triggered message)

The external alarm input connection has been setup to trigger the following message:

SQ02.mp3 - this is the following free message as shipped at time of writing:

"Please observe the social distancing measures we have in place during your visit."

Other messages

A selection of **free** messages (plus 1000s of others) can be downloaded at our website for numerous uses including:

Welcome Messages for Reception Areas, Health & Safety Announcements, Customer Service Advice, CCTV In Operation Messages, Sirens and more...

Please visit: voiceoff.com

7.2 PIR

The built in PIR has a 120° detection angle with a range of up to 4 metres. As the unit is ceiling mounted it is ideally designed to be placed in a ceiling tile near an entrance way to detect customers or other visitors entering a room or area.

It works by measuring the Infra Red (IR) light radiating from an object such as a human being in its field of view and detecting the subsequent radiant heat emitted. Please see our [TIP 195 here](#) for more information on how to get the most from your Passive Infra Red (PIR) detector installation.

7.3 Alarm Input

In addition to the PIR trigger, the unit has an additional alarm input that can be used to trigger a secondary message. This is ideal for a door contact, push button, break beam, a secondary PIR in fact any closing contact even the output from a DVR or NVR such as the Zip range.

For example a shopkeeper might use a push button to “activate” the playing of message 2 when a group of school children enter updating the message to

“Only 2 school children in the store at any one time, CCTV is in operation”

Whichever alarm trigger type you decide to use it will only need to go to GROUND (GND) momentarily to trigger and play the message. If you wish to continuously loop the playback of the message then a continuous low input trigger would do this.

7.4 Relay Delay (01-99 secs)

The relay delay feature can be set from 1 second all the way up to 99 seconds and will delay **ALARM OUTPUT** from triggering again.

This delay period is simply altered using the Remote control. Press the mode button and enter the number of seconds you require as a delay on the keypad. The PIR light will then flash red 5 times to indicate it has been updated. The default setting is 10 seconds.

Eg. for a 45 second delay enter Mode > 45

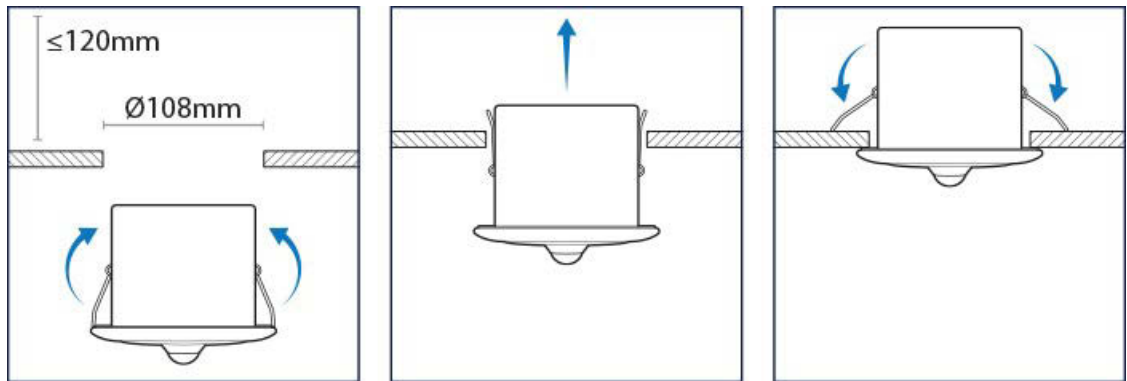
This will inhibit the alarm output trigger from activating again during that period.

7.5 Indicator Light (Red)

Emitted from the PIR section of the speaker, the red light shows when a message is actively playing. It is also used in setup to mode by flashing 5 times to confirm the Relay Delay has been saved.

Mounting

The VOX111 is a ceiling speaker similar in design to a downlighter. For installation you will need a recess of at least 108mm in diameter with headroom of about 120mm.



Troubleshooting

9.1 Problem – The unit isn't playing a message.

Solution(s):

1. Check the unit is powered up using a suitably rated (min 400mA) 12V DC power supply.
2. This could indicate that the message has been named incorrectly. Please connect the unit to a PC or laptop using the USB lead supplied and double check that the MP3 files exist and have the correct naming format.

9.2 Problem – The unit is playing the wrong messages.

Solution:

1. This could indicate that the message has been named incorrectly. Please connect the unit to a PC or laptop using the USB lead supplied and double check that the MP3 files have the [correct naming format](#)⁵.

9.3 Problem – The unit isn't triggering a second time

Solution:

1. This may be that you have set up the relay delay for what feels like too long a period of time (up to 99 seconds). [Reset the Relay delay](#)⁸ period to a shorter delay setting.

User Operation

Once correctly installed, the VOX111 requires no real further handling but can be operated using the mini Remote control handset. For example to increase or lower its output volume.



General Maintenance

From time to time the unit may require superficial cleaning with a damp (not wet) cloth. If your unit is fitted in a relatively quiet area such as a locked stock room it may be advisory to walk test the PIR from time to time to ensure the unit is operating and the power remains connected.

Specifications

Feature	Specification
Power	12V DC (PSU Required)
Power Connection	2.1mm DC Socket
Consumption	Playing - 350mA / Standby - 20mA
Detection Range	Up to 4m 120°
Cut Out Diameter	108mm
Minimum Recess	120mm
Use	Internal Use Only
Dimensions	(h) 105mm x Dia 127mm Max

FAQs

13.1 How do I load up a new message file on to the VOX111 MP3 Player?

Answer:

Swapping the messages played by the VOX111 is easy and simply requires connecting the unit by the USB lead supplied to a PC or laptop.

The PC will see the unit as a USB drive and allow you to copy new files over. Please follow the naming format below:

[SQ01.mp3](#) (PIR triggered message)

[SQ02.mp3](#) (External alarm input triggered message)

13.2 Are there any Free MP3 messages that I can use on the VOX111 MP3 Player?

Answer:

Yes at time of writing the FREE messages loaded refer to the current pandemic situation but a number of free messages can be downloaded FREE of charge at our website: voiceoff.com by entering the product serial number.

13.3 How do I do change the output volume on the VOX111?

Answer:

This can be done using the [remote control](#)¹¹ supplied with the unit.

Further Resources & Contact Details

14.1 Contact Us

VoiceOFF is a registered trademark of:

System Q Ltd, Chesterfield. Derbyshire. S40 2WB

Email enquiries: support@voiceoff.com

or send us a message [HERE](#)

WEB: <http://www.voiceoff.com/>

Conditions

15.1 Product Disclaimer

Free MP3 messages may change without notice to suit current global affairs. A number of further messages can be downloaded FREE of charge at our website: voiceoff.com by entering the product serial number.

15.2 General Company Disclaimer

All specifications are approximate. System Q Ltd reserves the right to change any product specifications or features without notice. Whilst every effort is made to ensure that these instructions are complete and accurate, System Q Ltd cannot be held responsible in any way for any losses, no matter how they arise, from errors or omissions in these instructions, or the performance or non-performance of the equipment that these instructions refer to.

15.3 WEEE Declaration



This symbol on the products and/or accompanying documents means that used electronic equipment must not be mixed with general household waste. For treatment, recovery and recycling please return this unit to your trade supplier or local designated WEE/CG0783SS collection point as defined by your local council.

15.4 Copyright

© Copyright 2022

VoiceOFF is a registered trademark of System Q Ltd, Chesterfield. Derbyshire. S40 2WB

Index

- A -

- Adding Message Files 12
- Alarm 4, 8
- Alarm Input 4, 8
- Alarm Output 4
- Alarm Trigger 5, 8
- Amplifier 6
- Audio Input 6
- Audio Output 6

- B -

- Box Contents 3

- C -

- Ceiling Mounting 9
- Cleaning 11
- Connections 4
- Contact Us 13
- Copyright 14

- D -

- Declaration 14
- Delay 8
- Disclaimer 14

- F -

- FAQs 12
- Fault Finding 10

- G -

- General Disclaimer 14

- H -

- How To 12

- I -

- Included Accessories 3
- Indicator 8
- Initial Setup 7
- Inputs 4
- Introduction 1

- K -

- Key Features 2

- L -

- LED 8
- Light 8
- Loud Speaker 6

- M -

- Maintenance 11
- Message Names 5, 7
- Micro USB 5
- Mounting 9
- MP3 Message Player 1
- MP3 Messages 5, 7, 12
- MP3 Names 5, 7

- O -

- Operation 11

- P -

- PC Connection 5
- PIR Sensor 8
- Powering 5, 6
- Product Disclaimer 14
- PSU 5, 6

- R -

- Red Light 8
- Relay 4, 8
- Remote Control 11
- Requirements 3

- S -

Sensor 8
Setup 7
Site Survey 7
Speaker 6
Specification 12

- T -

Technical Specification 12
Troubleshooting 10

- U -

USB 5

- V -

Volume Control 12

- W -

WEEE Declaration 14