

## SEE010, SEE015, SEE020, SEE030, SEE035 - Quick Start Guide

### Full Instruction Manual



The Rapid Deploy CCTV system is a fast and easy solution to provide CCTV protection. It consists of a 4Ch wireless receiver that plugs into a Zip NVR or DVR via its rear USB port.

Once the wireless receiver is plugged into the Zip NVR or DVR it enables it to see and record the wireless Rapid Deploy CCTV cameras.



[www.systemq.com/PDF/manual/xSEE010.pdf](http://www.systemq.com/PDF/manual/xSEE010.pdf)

Rapid Deploy is currently compatible with the ZIP Lite, ZIP Supa & ZIP Xtra DVR ranges (2 cameras only on a 4ch DVR) as well as 4, 8, 16, 32ch Zip NVRs. (Note it is not compatible with the ZIP SUPA-S range of recorders). Older Zip DVR/NVR models (up to 2019) may require a firmware upgrade.

### How It Works



When the PIR is activated then the camera is activated and transmits data to the receiver.

At night time the light sensor is used to determine if the Infra-Red LEDs are also activated when the camera is activated by the PIR.

Two-way talk back can also be used when the camera is activated, using the Microphone on the front of the camera and the Built-in speaker.

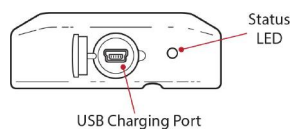
### Powering & Charging the Batteries

Status LED:-

**Red** = Charging

**Green** = Charged (and plugged in)

**No Light** = Not Charging



#### SEE030 - Solar Panel

The Rapid Deploy solar panel with USB can be used to power and charge the batteries.



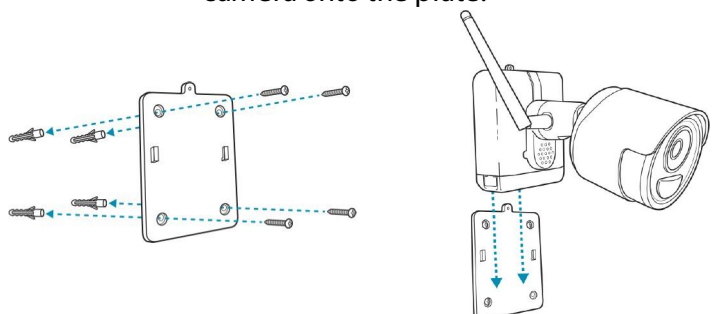
A Micro (B) USB charger and lead is required for the charging and powering of the Rapid Deploy Batteries, these are not supplied.

Mount the bracket (instead of the standard mounting plate). And slot the camera onto the plate.

### Mounting

1. Fix the mounting plate to the mounting surface using the screws and plugs provided.

2. Slot the camera onto the mounting plate from above.



**NVR Pre-Setup** - For PoE ZIP NVRs, the IP channel config needs altering first.

1. Go to the menu, **Video > IP Channels**
2. **Video > IP Channels**
3. **Switch Mode > Set to Manual Mode**
4. Then proceed with Channel Setup

**Channel Setup** - Setup the channels for USB Wireless.

1. Go to the menu, **Video > Channel Config**
2. In the DVR channel list > **Select USB Wireless**
3. Select **Apply**
4. The DVR will require a reboot once applied, click **OK**

**Pairing Overview** - The cameras will need pairing, this can only be done in the menu on the recorder.

1. Go to the menu, **Video > USB Wireless**
2. Click **Pair** to start the pairing mode with the receiver
3. Select the **Pair** button on the rear of the camera
4. **Pairing successful!** Displays once complete
5. Select Switch to **ON**
6. Click **Apply**

## Specifications

	SEE010	SEE015	SEE020
<b>Lens Type</b>	2.8mm Fixed Lens	2.8mm Fixed Lens	~
<b>Viewing Angle</b>	120 Degrees	120 Degrees	~
<b>Resolution</b>	HD 1080P / 2MP	HD 1080P / 2MP	Up to 2MP
<b>WiFi Range</b>	200m Max	200m Max	200m Max
<b>Audio</b>	2-Way Built-in	2-Way Built-in	Supported
<b>Audio Input</b>	Built-in Microphone	Built-in Microphone	Wireless from Camera
<b>Audio Output</b>	Built-in Speaker	Built-in Speaker	Via USB
<b>PIR</b>	Built-in 10m Range	Built-in 10m Range	~
<b>InfraRed LEDs</b>	6	6	~
<b>IR Range</b>	8m	8m	~
<b>Min. Illumination</b>	0 Lux with LEDs on	0 Lux with LEDs on	~
<b>Noise Reduction</b>	3D	3D	~
<b>White Balance</b>	Auto	Auto	~
<b>Power Source</b>	Battery Pack - 8700mAh (Supplied)	Battery Pack - 8700mAh (Supplied)	Powered from DVR/NVR
<b>Input Voltage</b>	DC 4.2V +-10%	DC 4.2V +-10%	~
<b>Current Consumption</b>	420mA (Activate) / 400mA (Sleep)	420mA (Activate) / 400mA (Sleep)	~
<b>Power Connection</b>	Micro USB (B)	Micro USB (B)	USB
<b>Finish</b>	White	Black	Black
<b>Build</b>	Plastic	Metal	Plastic
<b>Operating Temperature</b>	From -20 to 55 deg C	From -20 to 55 deg C	~
<b>Use</b>	IP66 For External Use	IP66 For External Use	Internal Use Only
<b>Bracket</b>	Supplied	Supplied	Wall-Mount Fixings Supplied
<b>Dimensions</b>	(H) 136 x (W) 73 x (D) 89mm	(H) 136 x (W) 73 x (D) 89mm	(H) 25 x (W) 140 x (D) 60mm

	SEE030
<b>Solar Cell</b>	Monocrystalline Silicon
<b>Solar Conversion Rate</b>	20%
<b>Maximum Power</b>	2.5W
<b>Voltage</b>	5.25V
<b>Current</b>	535mA
<b>Operating Temperature</b>	-30°C ~ 70°C
<b>Dimensions</b>	179mm (H) x 125mm (W) x 10mm (D) - without bracket
<b>Weight</b>	447g
<b>Build</b>	Plastic (black)
<b>Power Interface</b>	Micro USB
<b>Cable Length</b>	360mm
<b>IP Rating</b>	IP66
<b>Bracket</b>	Supplied - 360° Adjustable wall mount

All specifications are approximate. System Q Ltd reserves the right to change product specifications or features without notice. Whilst every effort is made to ensure that these instructions are complete and accurate, System Q Ltd cannot be held responsible for any losses, no matter how they arise, from errors or omissions in these instructions, or the performance or non-performance of the equipment referred to.

