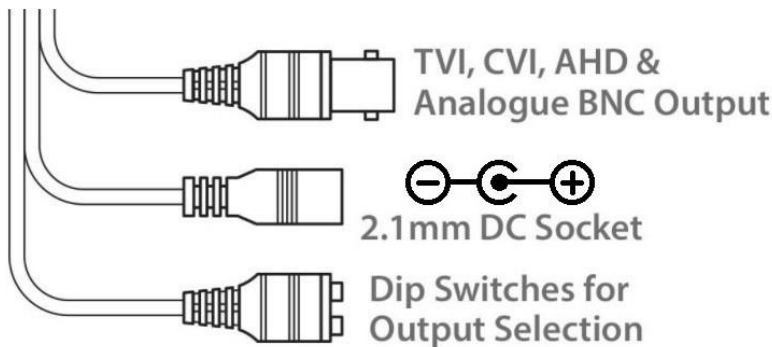


SEE375 - Quick Start Guide



www.systemq.com/PDF/manual/xSEE375.pdf

The SEE375 Anti-Vandal style camera has a tough metal body and plastic dome, ideal for both outdoor and indoor uses with multi format output modes including; TVI, AHD, CVI and CVBS. IR range up to 40m (true day/night filter).



Powering the camera

The camera has a 2.1mm socket which requires 12V DC and the current consumption is 500mA, so use a regulated power supply rated at 750mA or above.

The camera is polarity sensitive so connections must be correctly made.

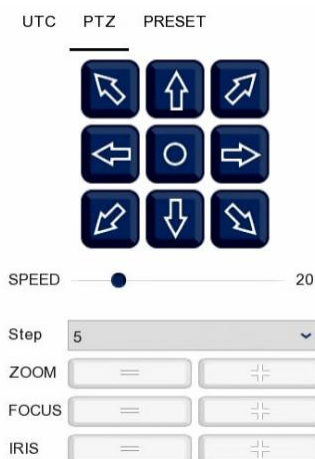
The camera has a standard BNC connector for the 4-in-1 video output. As default the output is set to HD-TVI 5MP which will work with the, ZipSupa and ZipXtreme DVRs, however the output can be changed to AHD, CVI or CVBS if required.



OSD Camera Menu

Via an DVR with a monitor & mouse direct to access the Cameras menu via coaxitron:-

1. Click on the image in Live view
2. Click on the PTZ button at the bottom of the screen
3. Click on the IRIS + button to display the menu



Use the directional arrows to move up and down through the menu.

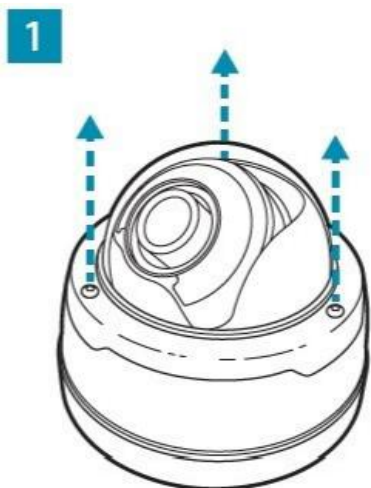
Use the directional arrows left and right to change the option.

Use IRIS + to select and enter that menu option.

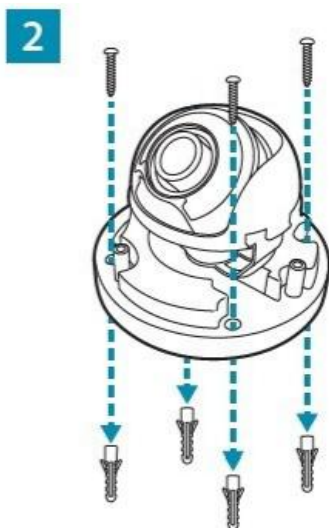
Motorised Lens Control

Use Zoom + and - to zoom in and out

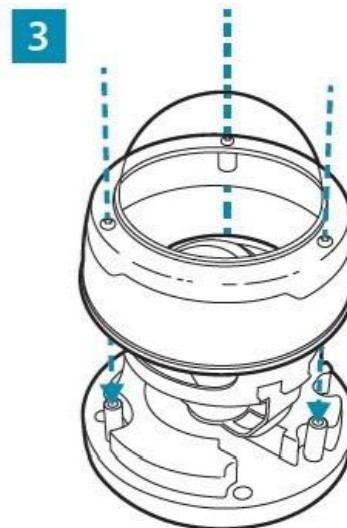
The camera should automatically focus when Zoom +/- is released



1
Loosen the three Torx screws in the upper housing and lift off (Torx key supplied).



2
Screw through the camera's base and into the mounting surface using the screws and wall plugs provided.



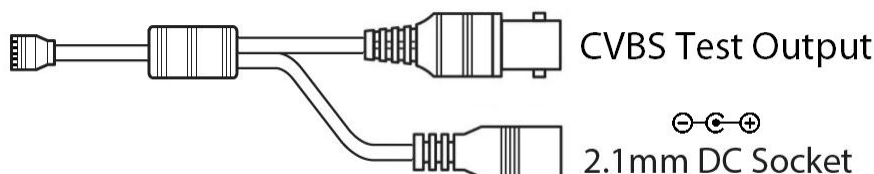
3
Once the camera is positioned. Replace the upper housing and fasten the three Torx screws.

CVBS Test Output Lead

The camera is provided with a CVBS (analogue) test lead which can be plugged into the camera with the dome removed, this forces the camera into CVBS video format.

Remove the power before inserting / removing the connector lead to the camera.

The test lead is used to provide a temporary video output to a test monitor to help with the setup and positioning. Ensure the test lead is unplugged after setup is complete as this will override the 4-in-1 output selection of the camera.



Resolution	5MP
Lens Type	2.8-12mm Motorised Lens
Image Output	1 Volt Peak-Peak 75 ohm
Min.Illumination	0 Lux IR On
Day/Night	Mechanical (True Day-Night)
IR Range	40M
Input Voltage	12V DC
Current Consumption	500mA (IR On)
IP Rating	IP66
Video Connection	BNC Socket
Power Connection	2.1mm DC Socket
WDR	Yes
Finish	White/ Grey
Build	Metal
Dimensions	148mm (Diameter) x 109 mm (Height)

All specifications are approximate. System Q Ltd reserves the right to change product specifications or features without notice. Whilst every effort is made to ensure that these instructions are complete and accurate, System Q Ltd cannot be held responsible for any losses, no matter how they arise, from errors or omissions in these instructions, or the performance or non-performance of the equipment referred to.

