

SEE508W - Quick Start Guide

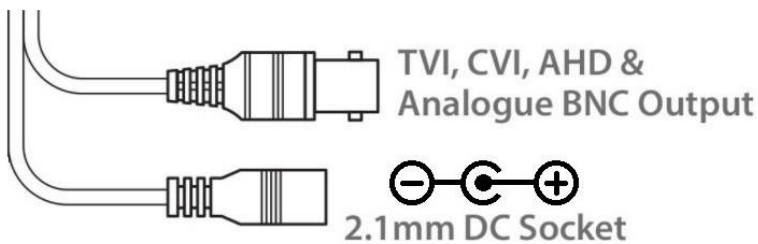


Specifically designed for retail and commercial use. This attractive dome is feature packed for optimum results regardless of the lighting conditions.

A mechanical IR filter gives accurate colour reproduction during daylight or in brightly lit environments such as shops whilst the built-in IR LEDs offer extra illumination when darkness or ambient light levels fall.



www.systemq.com/PDF/manual/xSEE508W.pdf



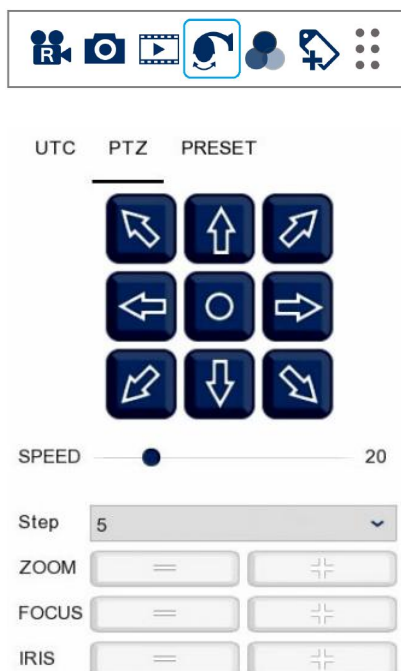
Powering the camera

The camera has a 2.1mm socket which requires 12V DC and the current consumption is 300mA, so use a regulated power supply rated at 500mA or above.

The camera is polarity sensitive so connections must be correctly made.

The camera has a standard BNC connector for the 4-in-1 video output. As default the output is set to HD-TVI 8MP (4K) which will work with the ZipXtreme DVRs, however the output can be changed to AHD, CVI or CVBS if required.

(Note the CVBS output is NTSC as default)



OSD Camera Menu

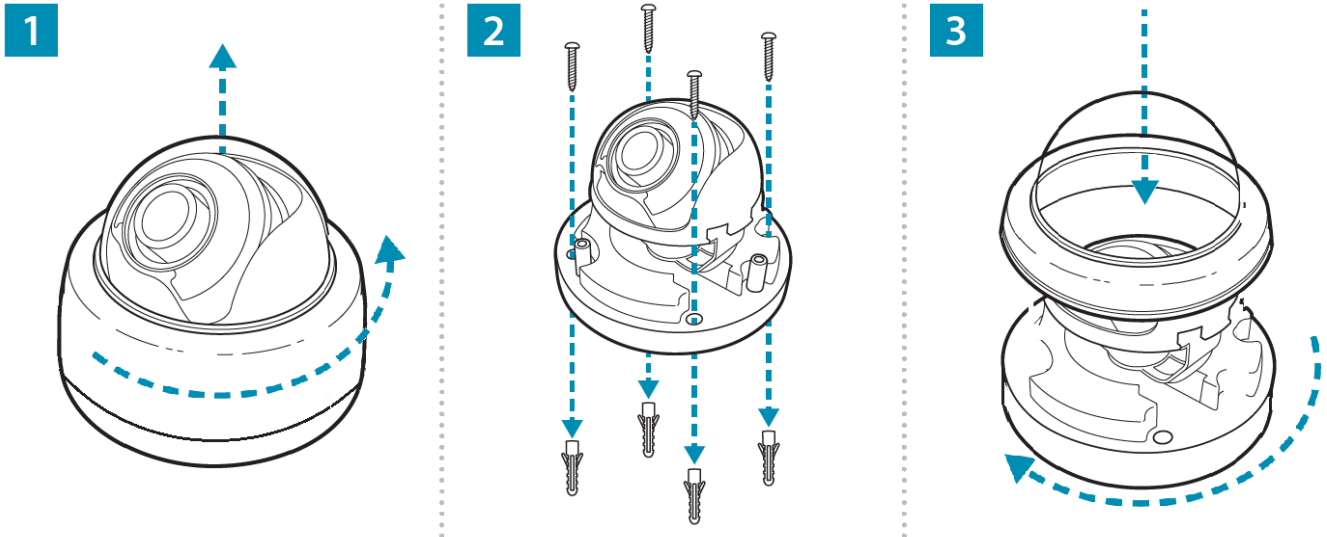
Via an DVR with a monitor & mouse direct to access the Cameras menu via coaxitron:-

1. Click on the image in Live view
2. Click on the PTZ button at the bottom of the screen
1. Click on the IRIS + / centre button to display the menu

Use the directional arrows to move up and down through the menu.

Use the directional arrows left and right to change the option.

Use IRIS + to select and enter that menu option.



Resolution	4K (8MP)
Lens Type	2.8-12mm Varifocal Lens
Image Output	1 Volt Peak-Peak 75 ohm
Min.Illumination	0 Lux IR On
Day/Night	Mechanical (True Day-Night)
IR Range	30M
Input Voltage	12V DC
Current Consumption	300mA (IR On)
Video Connection	BNC Socket
Power Connection	2.1mm DC Socket
Finish	White
Build	Plastic
Dimensions	146mm (Diameter) x 110 mm (Height)

All specifications are approximate. System Q Ltd reserves the right to change product specifications or features without notice. Whilst every effort is made to ensure that these instructions are complete and accurate, System Q Ltd cannot be held responsible for any losses, no matter how they arise, from errors or omissions in these instructions, or the performance or non-performance of the equipment referred to.

