

SEE765 - Quick Start Guide



The all new Audio over Coax TVI eyeball cameras, ideal for use outdoors and they look great indoors too.

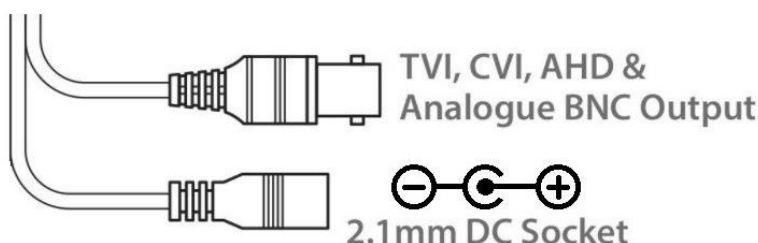
The SEE765 is a great compact piece of equipment that can be subtly added to your property. The wide angle 2.8mm lens means that you still get a good view of the area even from a compact camera.



www.systemq.com/PDF/manual/xSEE765.pdf

A built in microphone means you can see and hear what's happening, recording the audio & video on your ZIP SUPA-S DVR for the best possible CCTV evidence.

**Audio over COAX only Compatible with selected ZIP Recorders. See full manual for how to enable and compatible models*



Powering the camera

The camera has a 2.1mm socket which requires 12V DC and the current consumption is 300mA, so use a regulated power supply rated at 500mA or above.

The camera is polarity sensitive so connections must be correctly made.

The camera has a standard BNC connector for the 4-in-1 video output. As default the output is set to HD-TVI 5MP which will work with the ZipSupa and ZipXtreme DVRs, however the output can be changed to AHD, CVI or CVBS if required.



OSD Camera Menu

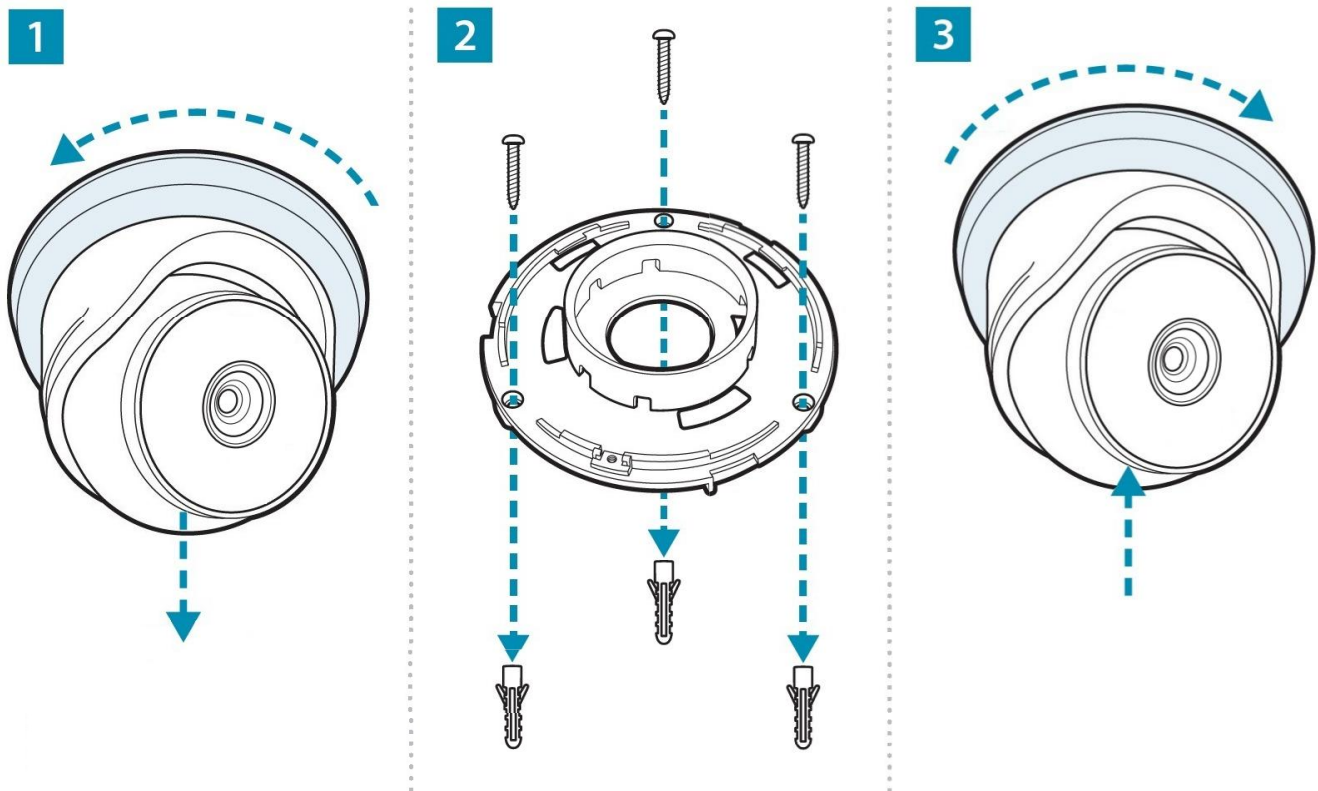
Via an DVR with a monitor & mouse direct to access the Cameras menu via coaxitron:-

1. Click on the image in Live view
2. Click on the PTZ button at the bottom of the screen
1. Click on the IRIS + / centre button to display the menu

Use the directional arrows to move up and down through the menu.

Use the directional arrows left and right to change the option.

Use IRIS + to select and enter that menu option.



Resolution	5MP
Lens Type	2.8mm Fixed Lens
Image Output	1 Volt Peak-Peak 75 ohm
Min.Illumination	0 Lux IR On
Day/Night	Mechanical IR (True Day-Night)
LEDs	18 IR LEDs
IR Range	20M
Audio	Built In Mic (Audio over COAX)
Input Voltage	12V DC
Current Consumption	300mA (IR On)
IP Rating	IP66
Video Connection	BNC Socket
Power Connection	2.1mm DC Socket
WDR	Yes
Finish	White/ Black
Build	Metal
Dimensions	100mm (Diameter) x 90 mm (Height)

All specifications are approximate. System Q Ltd reserves the right to change product specifications or features without notice. Whilst every effort is made to ensure that these instructions are complete and accurate, System Q Ltd cannot be held responsible for any losses, no matter how they arise, from errors or omissions in these instructions, or the performance or non-performance of the equipment referred to.

