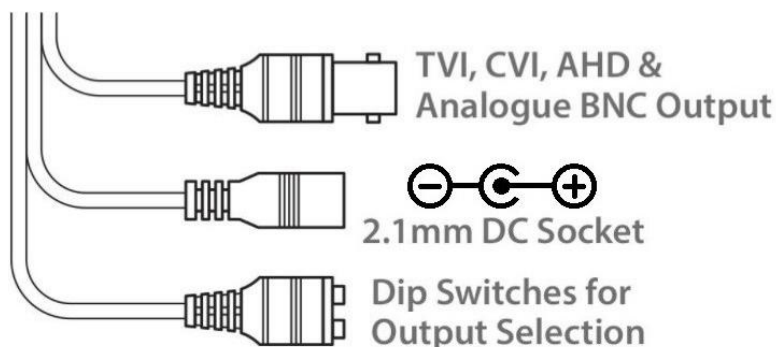


## SEE895 - Quick Start Guide



[www.systemq.com/PDF/manual/xSEE895.pdf](http://www.systemq.com/PDF/manual/xSEE895.pdf)

The SEE895 eyeball has a tough metal exterior, ideal for both outdoor and indoor uses with multi format output modes including; TVI, AHD, CVI and CVBS. IR range up to 40m (true day/night filter).



### Powering the camera

The camera has a 2.1mm socket which requires 12V DC and the current consumption is 400mA, so use a regulated power supply rated at 500mA or above.

The camera is polarity sensitive so connections must be correctly made.

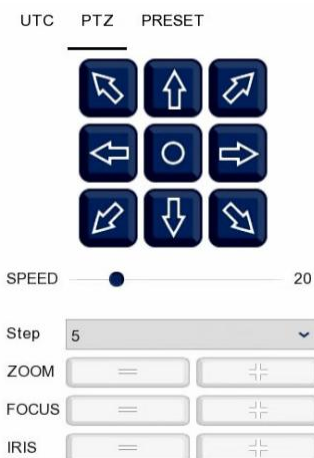
The camera has a standard BNC connector for the 4-in-1 video output. As default the output is set to HD-TVI 5MP which will work with the, ZipSupa and ZipXtreme DVRs, however the output can be changed to AHD, CVI or CVBS if required.



### OSD Camera Menu

Via an DVR with a monitor & mouse direct to access the Cameras menu via coaxitron:-

1. Click on the image in Live view
2. Click on the PTZ button at the bottom of the screen
3. Click on the IRIS + button to display the menu



Use the directional arrows to move up and down through the menu.

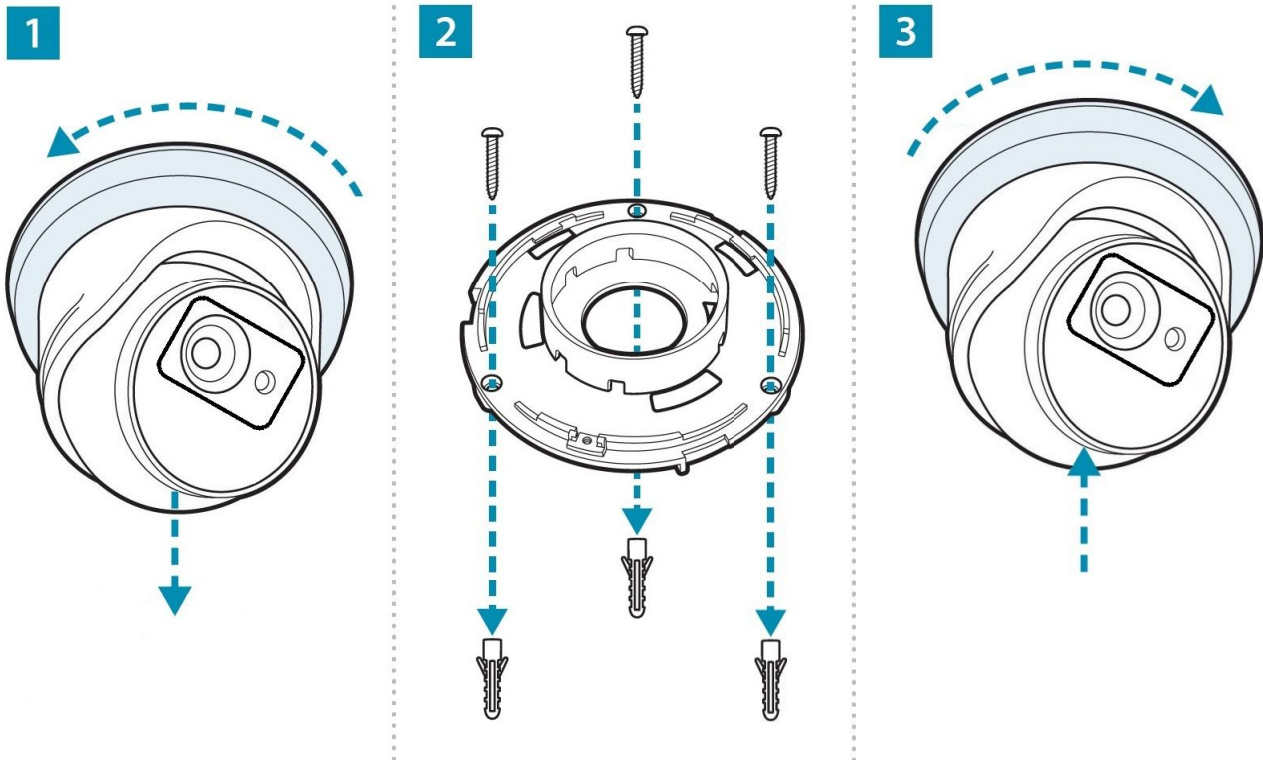
Use the directional arrows left and right to change the option.

Use IRIS + to select and enter that menu option.

### Motorised Lens Control

Use Zoom + and - to zoom in and out

The camera should automatically focus when Zoom +/- is released



Resolution	5MP
Lens Type	2.8-12mm Motorised
Image Output	1 Volt Peak-Peak 75 ohm
Min.Illumination	0 Lux IR On
Day/Night	Mechanical (True Day-Night)
IR Range	40m
Input Voltage	12V DC
Current Consumption	500mA (IR On)
IP Rating	IP66
Video Connection	BNC Socket
Power Connection	2.1mm DC Socket
WDR	Yes
Finish	White/ Grey
Build	Metal
Dimensions	135mm (Diameter) x127mm (Height)

All specifications are approximate. System Q Ltd reserves the right to change product specifications or features without notice. Whilst every effort is made to ensure that these instructions are complete and accurate, System Q Ltd cannot be held responsible for any losses, no matter how they arise, from errors or omissions in these instructions, or the performance or non-performance of the equipment referred to.

