

Question: How can I create home-made CCTV tools storage using a PVC pipe?

Answer: PVC pipe is more versatile than you might think! We've found 3 easy ways to use PVC pipe to create home-made storage solutions for your tools. Ideal for a workshop, garage or even the back of a van!

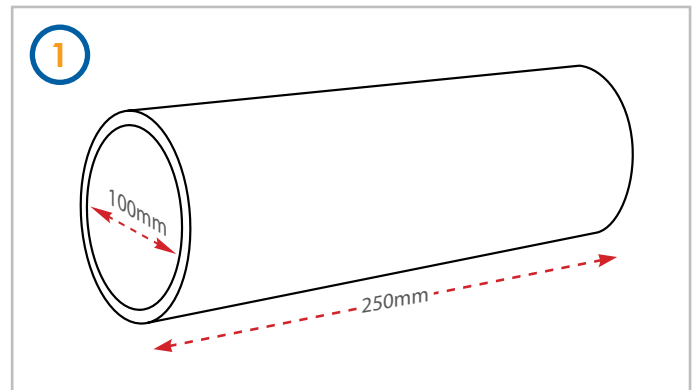
1. Diagonal Wall Storage...

You Will Need

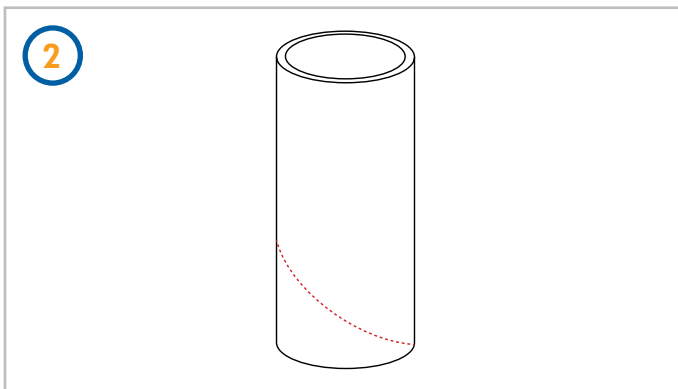
- ✓ 100mm+ diameter plastic pipes
- ✓ A pipe stop end
- ✓ Hacksaw
- ✓ powerdrill
- ✓ Screws
- ✓ Super glue

Off-cuts of PVC pipe left over from a job can quickly and easily be transformed into your own bespoke tool storage.

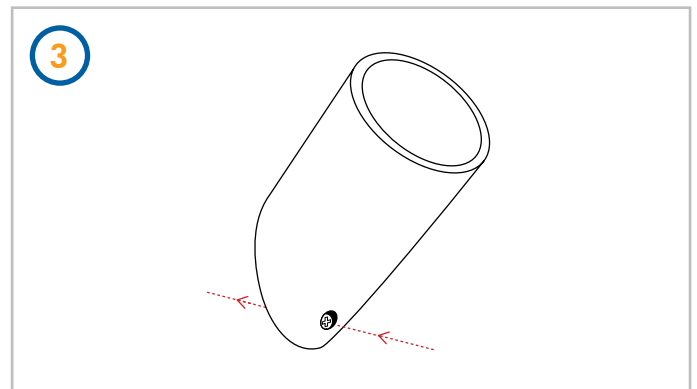
Ideal for storing drill bits, screwdrivers, soldering irons, rulers, chisels, pencils and even long handled tools.



Take a length of PVC pipe with diameter of 100mm and cut down to a length suitable for your tools...



At one end of the pipe cut a 45° angle piece from the pipe to make a diagonal edge...



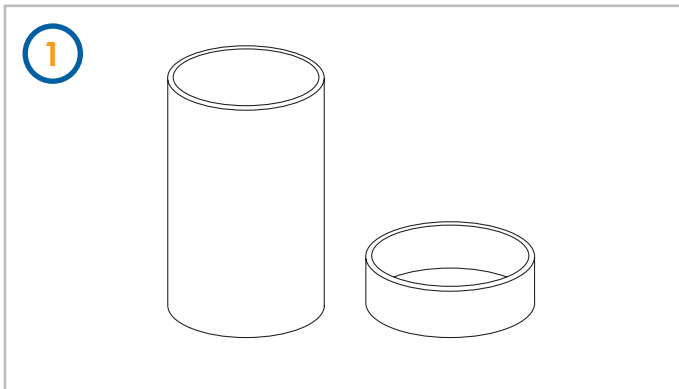
Position the pipe against the wall pointing upward, and attach by drilling a screw through the base of the pipe with a power drill.

This CCTV installation tip is aimed at helping you to install CCTV equipment. If you are looking for answers on "how to fit CCTV" or perhaps "how to network a DVR or NVR" or even "how to get CCTV on your mobile phone" why not check out our full range of CCTV installation tips at: www.systemq.com

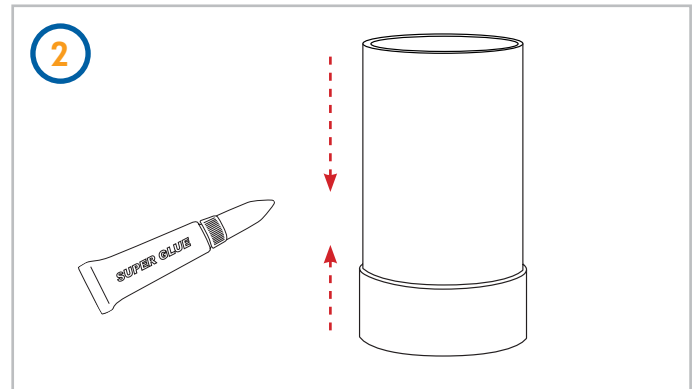
How to guides aim to answer commonly asked questions in a concise and informative manner. They are for advice & guidance only and do not replace any of the manuals or other literature supplied with our products.

2. Desktop Storage Pot...

Create a simple storage solution for your desktop or workbench!



Take a short piece of pipe and a matching stop end...

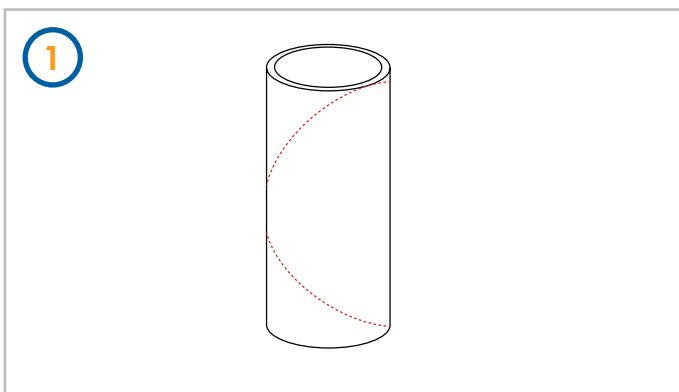


Using a dab of super glue attach the stop end to the pipe, creating a simple storage pot for your desktop or workbench, ideal for pencils!

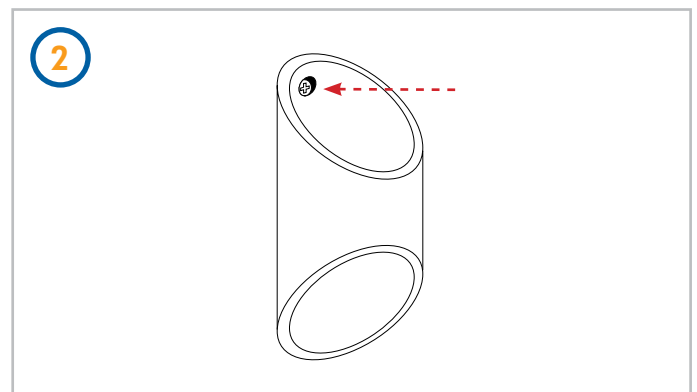


3. Vertical Storage Solution...

Are all your long handled tools thrown in the corner? This quick and easy PVC pipe solution is ideal for storing shovels, spades, brooms and much more!



Using a hacksaw cut a 45° angle piece from the top and bottom of the pipe to make two diagonal edges...



Drill a screw through the top of the back of the pipe with a power drill to attach it to the wall. Now slot through your long handled tools to store them upright and out of the way!

This CCTV installation tip is aimed at helping you to install CCTV equipment. If you are looking for answers on "how to fit CCTV" or perhaps "how to network a DVR or NVR" or even "how to get CCTV on your mobile phone" why not check out our full range of CCTV installation tips at: www.systemq.com

How to guides aim to answer commonly asked questions in a concise and informative manner. They are for advice & guidance only and do not replace any of the manuals or other literature supplied with our products.