

CAM494 Hi-Res 540 TVL NiteDevil Camera

This NiteDevil Clear Dome camera houses a high resolution 540TVL colour board with 3.6mm fixed lens. It provides fantastic colour representation and a very clear image. This 12v DC camera offers low light sensitivity down to 0.0014 Lux @ F1.2 using the Sense-Up feature.



Housed in an attractive dome enclosure with a black base, dome insert and clear cover.

Mounting the Camera

These board cameras come with four fixing holes at the corners of the board. The camera has two connection leads, one fitted for 12v DC power and video (JP4) which is fitted, and a spare cable (JP1) for selecting various camera options.

Powering the Camera

This board camera requires a 12V DC regulated power supply. The board camera is provided with a 2.1 jack plug connected to JP4. The centre pin of the jack plug is 12vDC + and this connects to pin 1 on JP4. The black power ground (0v outer connection on jack plug) connects to pin 2 on JP4. It is recommended to use a power supply that is rated higher than the current consumption of the camera i.e. POW150 would be adequate for powering one or two cameras, but when powering more you must look at the bigger power supplies. Using an underrated power supply will cause it to run hot and will greatly reduce its life. If you are using the Easy Connection Kits that comprise of the (CCT801/802/808/809) to power and connect your camera (12V models only) please proceed as per the instructions supplied with The Easy Connection Kit. You will need to cut off the DC Plug ONLY and use the bare wires to connect through a terminal block. The 12V positive is the RED wire, the 0V is the BLACK wire. Always use a 12vDC regulated power supply. This board camera draws 120mA so the power supply must be rated at 150mA minimum.

Video Connection

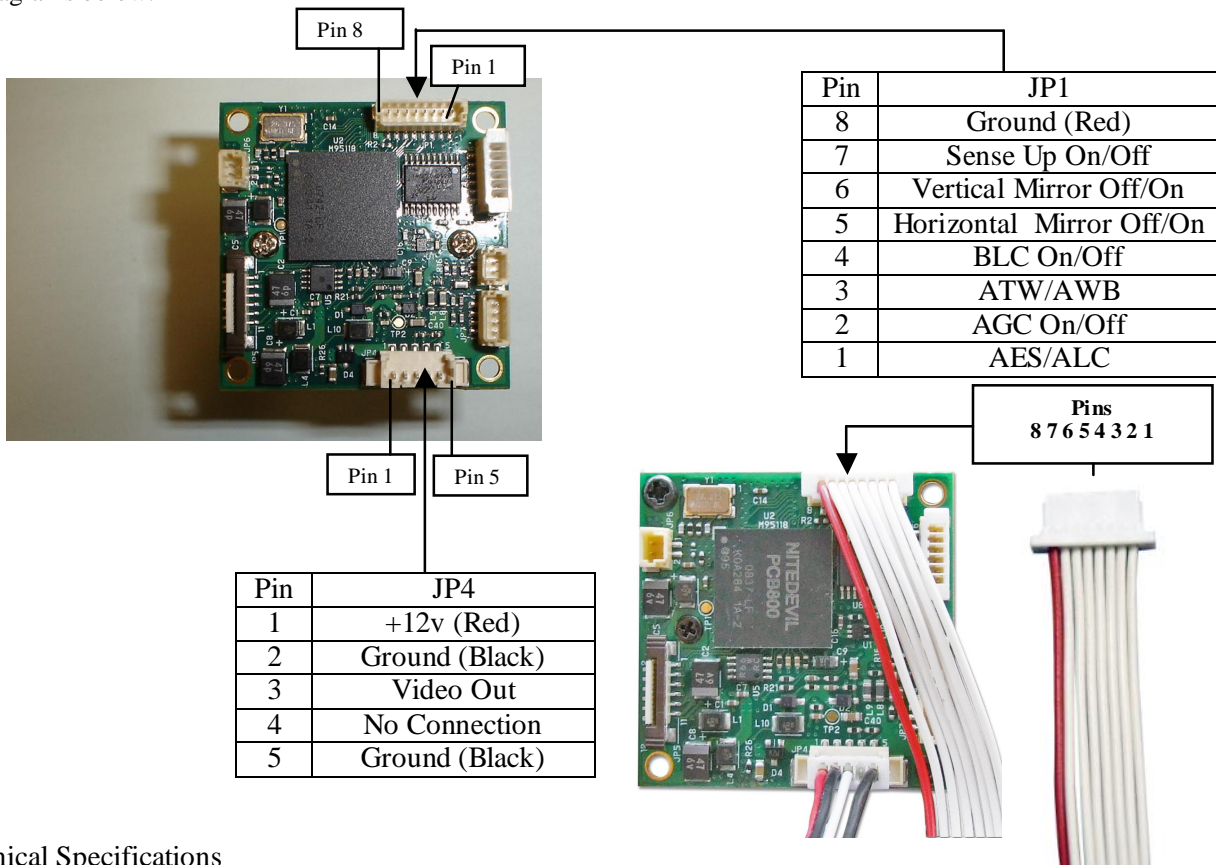
The same fly lead connected to JP4 is used for the video connection. The board camera is provided with a BNC connection for video. The inner connection of the BNC is the video connection and this connects to the white core connected to pin 3 on JP4. The BNC outer is the video ground and this connects to the black core connected to pin 5 on JP4. Remember that the Video out from the camera is like any other electrical circuit and requires two wires to complete the circuit. When using a coax type cable such as RG59 or similar for video, the outer braid of the coax provides the ground connection and the inner the video connection.

Camera Options

This board camera provides additional camera options to be selected. These options are selected using the JP1 8 way connection lead included with the camera. These include AES or ALC, AGC on or off, ATW or AWC, BLC on or off, Horizontal Mirror, Vertical Mirror and Sense Up on or off. These options are selected by grounding the relevant cable/s connected to the JP1 connector with the red cable connected to pin 8. This can be accomplished using a terminal block. **Note that the option detailed first in the JP1 Specifications relates to the camera settings without the ground connection i.e Sense Up is on by default but grounding cable from Pin 7 will switch Sense Up to off.**

Colour NiteDevil Camera Instructions

See diagrams below:



Technical Specifications

Model	PCB800
Mode	PAL
Image Sensor	1/3" CCD interline transfer type
CCD Total Pixels	~ 470K
Sync System	Internal
Minimum Illumination	0.012 Lux @ F1.2 / 40 IRE AGC on B/W 0.0014 Lux @ F1.2 / 40 IRE SENS-UP (32x) B/W
Lens & View angle	3.6mm F2.0
Resolution	540 TVL
White Balance	Mode ATW / AWC Range 3200 ~ 10000°K
S/N Ratio Typical (max)	52dB (min) / 60dB (TYP) (AGC OFF)
Sense-Up	AUTO (256x) / OFF
Horizontal Mirror Function	OFF (Normal Image) / ON (Horizontal Image Inversion)
Vertical Mirror Function	OFF (Normal Image) / ON (Vertical Image Inversion)
BLC Function	ON / OFF
Digital Noise Reduction	Built In
Gamma Correction	0.45
Gain Control	AGC ON / OFF
Video Output	1.0v p~p composite video @ 75ohms
Operation Temperature	-20°C ~ +50°C
Operation Humidity	Within 85% Relative Humidity
Power Consumption	12vDC 120mA (Use minimum 150mA power supply unit.)

All specifications are approximate. nitedevil.com reserves the right to change any product specifications or features without notice. Whilst every effort is made to ensure that these instructions are complete and accurate, nitedevil.com cannot be held responsible in any way for any losses, no matter how they arise, from errors or omissions in these instructions, or the performance or non-performance of the equipment that these instructions refer to.



This symbol on the products and/or accompanying documents means that used electronic equipment must not be mixed with general household waste. For treatment, recovery and recycling please return this unit to your trade supplier or local designated collection point as defined by your local council.

WEE/CG0783SS