

Features

- Digital Motion Detection Sensor
- Compatible with Colour and B&W signals
- Buzzer for alarm activation
- Can run from 9VDC
- Relay output (NO / NC)
- LED for alarm indication



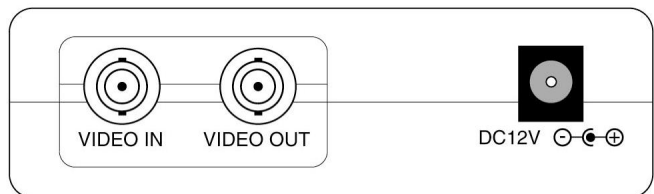
The CCT205 is a great product to use with covert camera systems. It works by looking for movement within a camera's video signal and therefore can trigger event-only recording without using a PIR

When the CCT205 detects movement, e.g., someone walking into a room, it causes a pair of relay contacts to close. These contacts can be used to trigger a Time-lapse VCR to record the event. Alternatively, to record events on a standard domestic VCR, you will need to use a Video Controller Module.

To connect the CCT205, the camera's Video signal must pass through the unit using the Video In and Out BNC sockets. Simply power the unit using a suitable 9-12V PSU and it is ready to detect changes in the camera's picture.

Powering the detector

The detector can use a 12V DC power supply using the DC jack socket or you can utilise the 9V and 0V terminal connector on the front of it.

Testing the Detector

It is advisable to set the unit up on your test bench before installing it, this will give you chance to investigate the limitations of the unit. Let your customer be aware of its limitations when installing it in conjunction with an external camera - although the unit will operate with external cameras it may false trigger, this is due to changes in light levels and even the wind blowing trees and leaves etc.

Setting up the motion detector

With the detector powered up you can change the sensitivity of the unit by turning dip switch 1&2 on (See diagram below), this enables you to make the unit more or less sensitive to the change in video signal depending on the area that is monitoring.

Switch 1 & 2 – Sensitivity

When both set to ON the sensitivity will be high.

Switch 3 – Alarm Time

When ON the unit will alarm for 600ms.

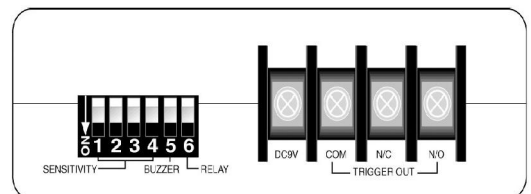
When OFF the unit will alarm for 3s.

Switch 4 – Not UsedSwitch 5 – Audible Alarm Notification

When set to ON the unit will buzz when in alarm mode.

Switch 6 – Relay

When set to ON the unit is able to trigger external devices.



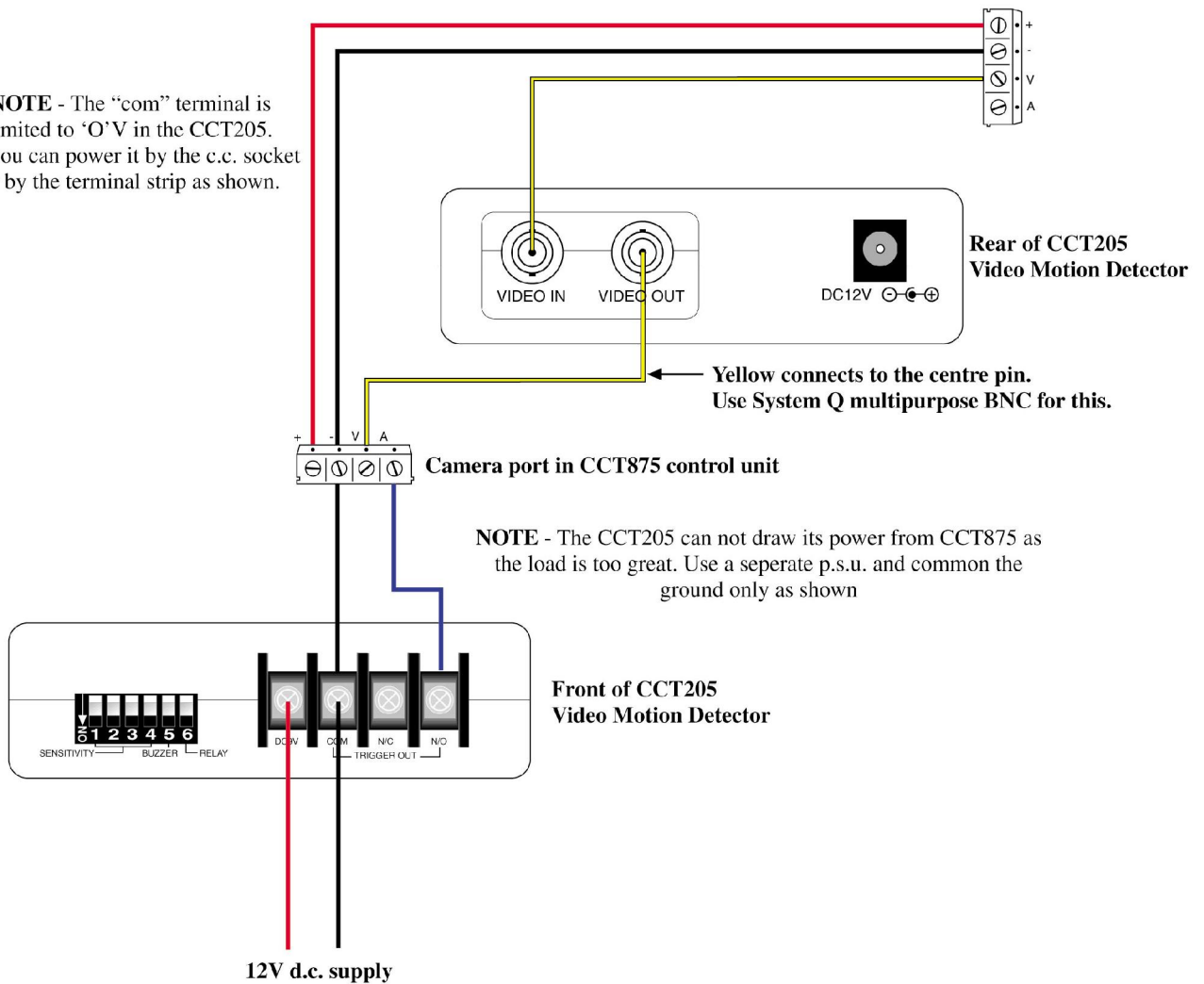
The terminal connectors on the right hand side allow you to connect external components to the detector such as the CCT875 control panel or the CCT887 video control module.

CCT205

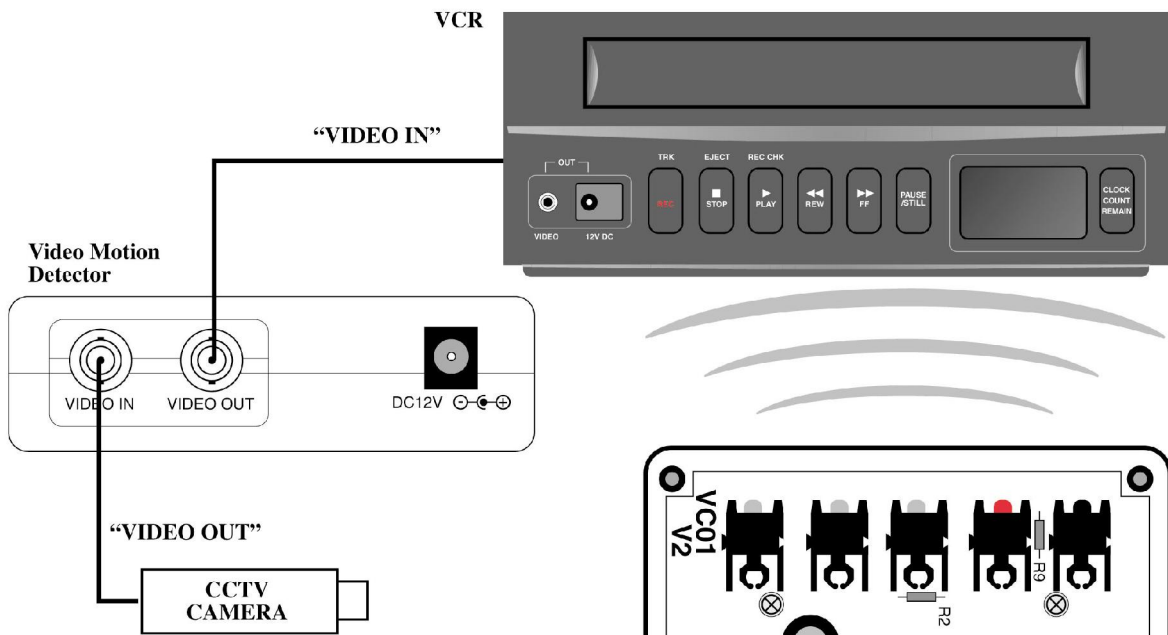
Mini Video Motion Detector Instructions

Typical Connection Examples

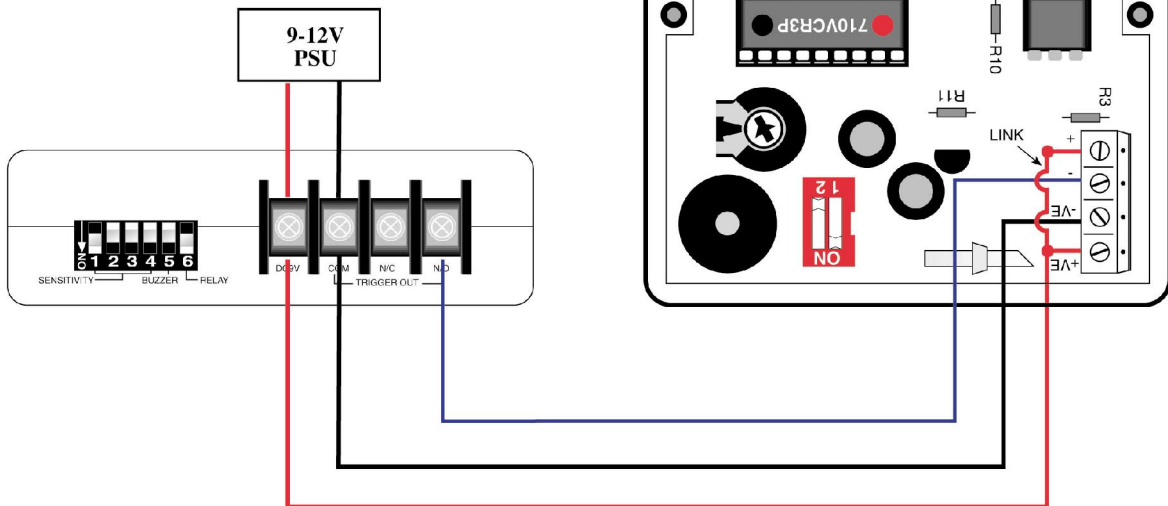
NOTE - The "com" terminal is limited to '0'V in the CCT205. So you can power it by the c.c. socket or by the terminal strip as shown.



Mini Video Motion Detector Instructions



NOTE - The "Com" terminal is connected to '0'V in the Video Motion Detector. This means you can power the unit via the "D.C. 9V" and "COM" terminals rather than the D.C. socket



Specifications

Input Power	9 – 12V DC 80mA
Input Video Signal	1V _{pk-pk} 75Ω BNC
Output Video Signal	1V _{pk-pk} 75Ω BNC
Alarm Output	NO / NC
Size	85 x 88 x 25mm

All specifications are approximate. System Q reserves the right to change any product specification or features without notice. Whilst every effort is made to ensure that these instructions are complete and accurate, System Q cannot be held responsible in any way for any losses, no matter how they arise, from errors or omissions in these instructions, or the performance or non-performance of the camera or other equipment that these instructions refer to. © All contents are subject to copyright, System Q Ltd 2003.

