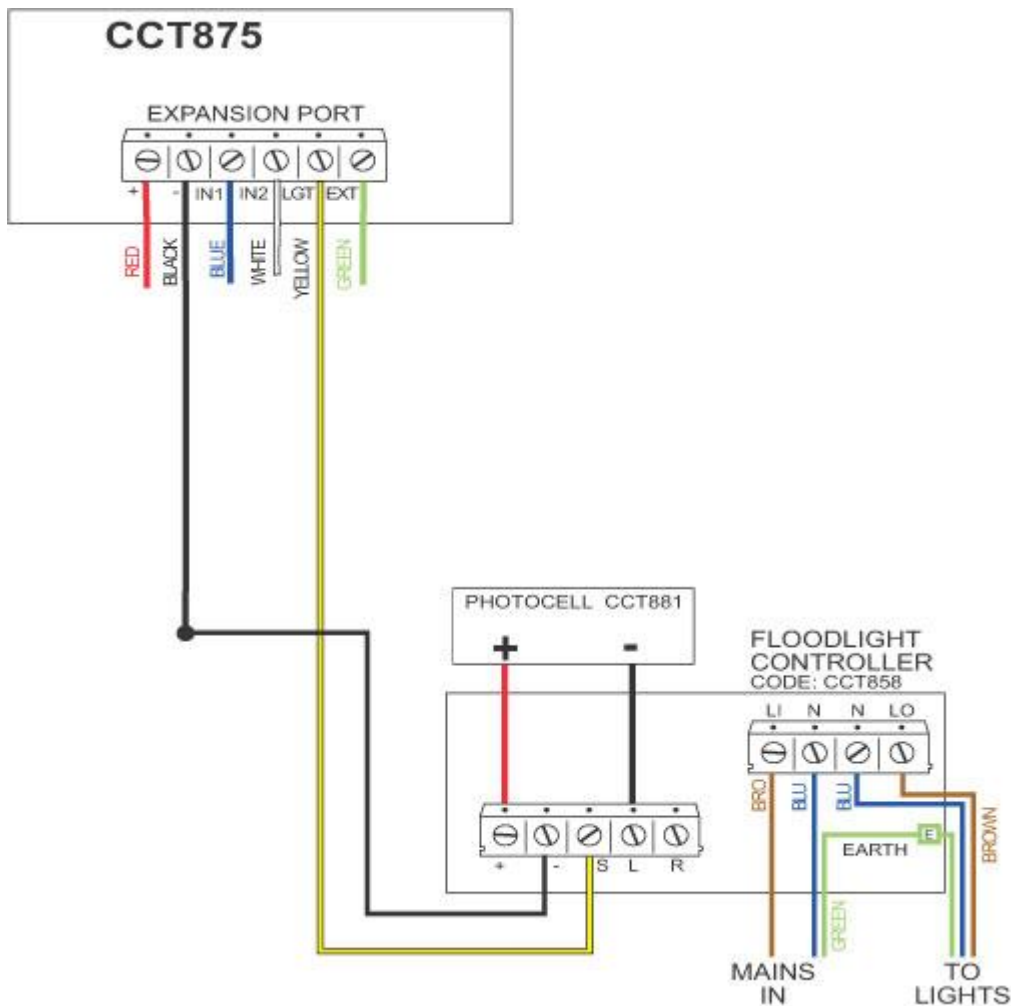
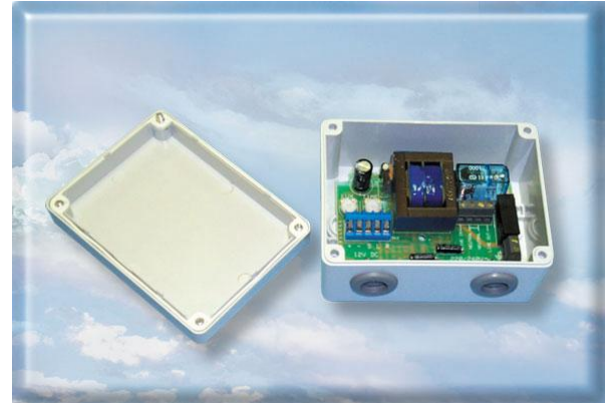
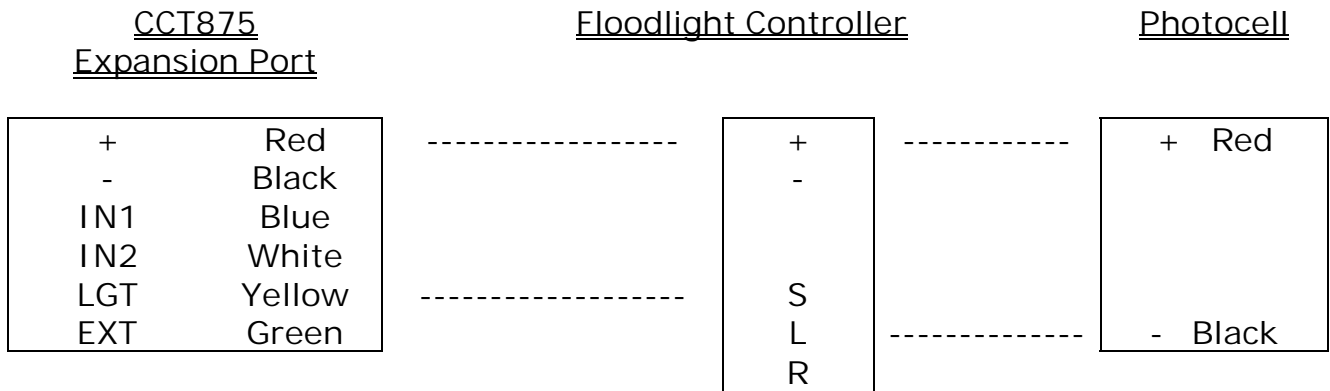


FEATURES

- 2.4 kW switching power
- Remote Sensor so the interface can be mounted internally
- Adjustable daylight sensor (marked LUX on the board) for use with the Photocell
- Can be used with the CCT875 controller or standalone with PIR and/or other devices
- Manual control from the wired remote (CCT 862) or the wirefree keyfob kit (CCT890 or CCT895) so lights can be manually switched on/off
- Single zone capable of switching 2.4kW
- Weatherproof case so the unit can be mounted externally if required



CCT858 FLOODLIGHT CONTROLLER & PHOTOCELL INSTRUCTIONS

The sensitivity of the photocell can be adjusted using the **LUX** pot on the lighting controller board. Setting this to fully counter clockwise will allow the lights to be switched on in daylight.

Connecting the unit in this manner and setting the lighting controller's Timer pot fully counter clockwise allows the CCT875 to control the length of time the lights are activated during an alarm condition. (60 seconds)

MAINS CONNECTION

LIVE IN
NEUTRAL
EARTH

TO LIGHTS

LIVE OUT
NEUTRAL
EARTH

The mains supply to the lighting controller connects to terminals **LIVE IN** (LI on diagram 1) and **NEUTRAL** (N on diagram1) and **E**. (Earth)

The lights are connected to the **LIVE OUT** (LO on diagram 1) **NEUTRAL** and **E** (Earth)

Other devices can be used to trigger the lighting controller, all that is required is the S terminal to be switched to 0 volts. I.e. by using the switched negative output from a PIR such as the CCT865
The length of time the lights stay on can be adjusted using the **TIME** pot on the board.