

ACC351-352, ACC361-362 - Quick Start Guide

ACC351



ACC352



ACC361



ACC362



Exit Buttons

This guide covers the hygienic and convenient range of contactless buttons. These buttons can be activated without touching them to release the door, simply put your hand near to the button to unlock it. The sensitivity can be adjusted to detect at different ranges to suit the installation.

User Information

- There are no user serviceable parts, opening or attempting to repair the product will void the warranty.
- Do not install or use the device if the wires connected are damaged or have been subjected to water ingress.
- Shut off all power to the access control system before wiring this device.
- Maintain a clean and safe environment at all times.

Definition

NO (Normally Open) - This is a contact which remains open (as default) until activated, during the "active" state the contact provides a closed circuit and starts conducting.

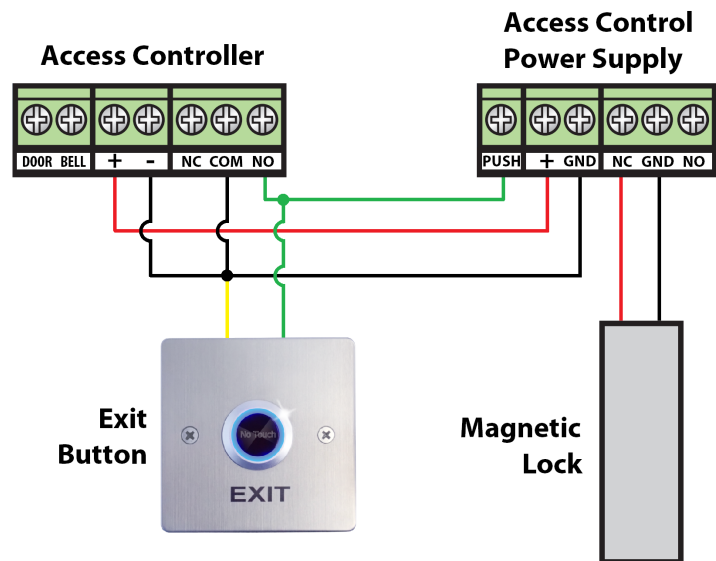
NC (Normally Closed) - Is the opposite of a NO contact. The contact will remain closed (as default) until activated, during the "active" state the circuit breaks and stops current flow.

Setup Example

Exit buttons are used in access control systems to provide a momentary contact signal to the access controller to open a magnetic lock.

This example shows a "Fail-safe" scenario. When the exit button is activated the access control power supply then releases power from the lock, and if power is lost then the lock also releases.

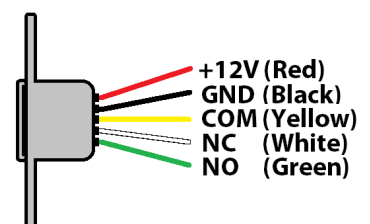
Wire in NO or NC depending on the access controller used and also on the required state of the lock during a "Fail-safe" or "Fail-secure" scenario.



Connections - ACC351-352, ACC361-362

For operation with a door access control panel and lock, the exit button is wired with NC or NO and COM.

A permanent DC 12-24V supply is required to operate the contactless exit buttons (not supplied with the product).



Sensitivity & Time Delay Adjustment

ACC351



Time Delay

- Clockwise to increase
- Anti-clockwise to decrease



Sensitivity

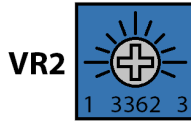
- Clockwise to decrease
- Anti-clockwise to increase

ACC361



Time Delay

- Clockwise to increase
- Anti-clockwise to decrease



Sensitivity

- Clockwise to decrease
- Anti-clockwise to increase

ACC352



Sensitivity

- Clockwise to increase
- Anti-clockwise to decrease

ACC362



Time Delay

- Clockwise to increase
- Anti-clockwise to decrease



Sensitivity

- Clockwise to increase
- Anti-clockwise to decrease

Troubleshooting

If the exit button is not activating the lock then there is likely a shorted wire, open circuit or some other failed device in the circuit.

To identify where the fault is, each wired connection in the circuit needs to be tested; working from the push button progress through, including the keypad, the access controller, power supply and the magnetic lock.

If the fault is with the access control button then check the connection wires for continuity and for trapped wires. Check for water ingress on the wired connections. Check the polarity in the power connections and ensure the connections are connected to the proper terminals.

Specification

	ACC351	ACC352	ACC361	ACC362
Construction	Stainless Steel	Stainless Steel & Plastic	Plastic	Alloy
Detection Range	50 – 200mm	80 – 420 mm	90 - 300mm	80 - 200mm
IP-Rating	IP68	Internal Use	IP68	
Latch	1-30 secs	Mimic	1-30 secs	1-25 secs
LED Colour	Idle-Blue/ Active-Green	Idle-Blue/ Active-Green	Idle-Red/ Active-Green	Idle-Blue/ Active-Green
Rating	2A @12V DC	3A @ 12V DC	2A @ 24V DC	
Terminals	NO/ NC/ Common/ 12-24V DC/ GND (Wires)			
Voltage	12-24V DC			
Dimensions	86 x 86 x 20mm	86 x 86 x 37mm	86 x 86 x 20	80 x 32 x 23mm

All specifications are approximate. System Q Ltd reserves the right to change product specifications or features without notice. Whilst every effort is made to ensure that these instructions are complete and accurate, System Q Ltd cannot be held responsible for any losses, no matter how they arise, from errors or omissions in these instructions, or the performance or non-performance of the equipment referred to.

