

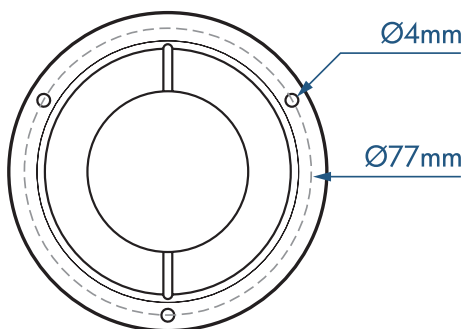
Internal Discrete Vandal-proof Dome Camera With UTC

A tough and durable metal anti-vandal dome camera ideal for CCTV surveillance in businesses and homes. The CAM052W is a great internal camera with a brilliant white finish, 3.6mm board lens, up the coax control, sens up, defog and 3D noise reduction.

Its tiny size, just 9cm in diameter, means the CAM052W is ideal for installs where space is limited.

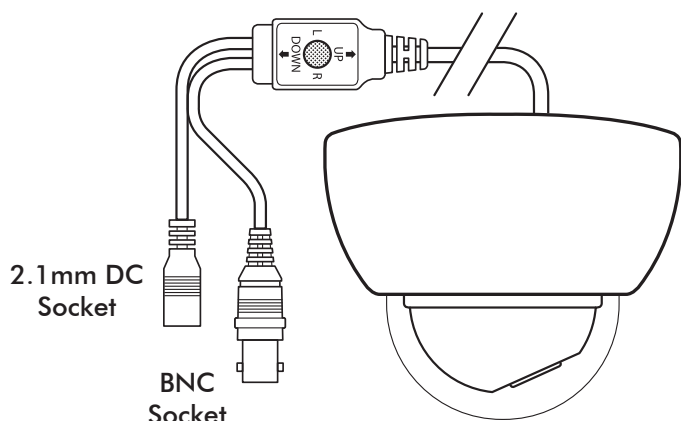
Mounting The Camera

The CAM052W is mounted by screwing through the three mounting holes in the base of the dome. The helpful diagram on the right shows sizes and dimensions.



Connecting The Camera

The CAM052W comes with moulded connections for video and power. There is a BNC socket for connecting the video and 2.1 mm DC socket for connecting the power.



For more information on menu options and what they do see online tip 295 ▶▶▶



Features

- Tough Vandal-proof Metal Dome
- 720TVL
- 1/3" Sony Effio-A
- 3.6mm Fixed Lens
- Up the Co-ax OSD control
- Just Ø92mm
- Low Light

Specification

FUNCTION	SPECIFICATION
CCD	1/3" Sony Effio-A
Resolution	720TVL - 976(H) x 582(V)
Lens	3.6mm Board /F2.0
Min. Illumination	0.001Lux
Video Output	1v p ~ p, 75Ω
Video Connection	BNC
Power/Current	12vDC (± 10%) 150mA
Power Connection	2.1mm DC Socket
Auto Shutter	PAL: 1/50s ~ 1/100,000s
S/N Ratio	More than 52dB
Operating Temp.	-10°C ~ +50°C
Dimensions	92mm(D) x 68mm(H)
Weight	500gms

Options Available

PART CODE	DESCRIPTION
CAM052W	720TVL Mini Fixed Dome

Other Products To Consider



Internal 700TVL
2.8-12mm Vari-focal
Vandal-proof Dome
With UTC & WDR
CAM559W



Up The Co-ax In-line
Controller
REM088

All specifications are approximate. System Q Ltd reserves the right to change any product specifications or features without notice. Whilst every effort is made to ensure that these instructions are complete and accurate, System Q Ltd cannot be held responsible in any way for any losses, no matter how they arise, from errors or omissions in these instructions, or the performance or non-performance of the equipment that these instructions refer to.

This symbol on the products and/or accompanying documents means that used electronic equipment must not be mixed with general household waste. For treatment, recovery and recycling please return this unit to your trade supplier or local designated collection point as defined by your local council.
WEE/CG0783SS

Powering The Camera

The dome requires a 12V DC regulated power supply and has a standard 2.1mm DC socket for connecting the power. It is recommended to use a power supply that is rated higher than the current consumption of the camera i.e. the current consumption is 150mA add approximately 50% so use a power supply of 300mA or above.

Accessing The Camera's Menu

The camera's menu system can be accessed and controlled in two ways. The first method is using the in-line joystick on the camera's video lead. The joystick allows you to move Up, Down, Left, Right and pressing the joystick in selects the highlighted option. The second method is to use an up the Co-ax controller which can be done whilst next to the DVR.

Up The Co-ax Menu Control

Up the Co-ax otherwise known as UTC is a method of controlling the cameras OSD using the Co-ax cable. This is achieved using a REM088 in-line controller. The big benefit of configuring a camera via UTC is that it can be done next to the DVR and monitor. The Co-ax cable carrying the camera's video is simply connected to the controller which is then connected to the DVR. Once the camera has been setup, the controller can be removed and the camera is then connected to the DVR as normal.

Camera Menu (Press left or right to switch to menu page 2)

Menu Item	Sub Menu	Sub Menu Options
(FULL AUTO / INDOOR / OUTDOOR / BACKLIGHT / ITS / CUSTOM)	SHUTTER AGC	AUTO / MANUAL / FIX AUTO: AE LEVEL: 01~250 AGC MAX: 6~44.8DB SENS UP: OFF / AUTO
		MANUAL: SHUTTER: 256FLD~1/10000DB AGC MAX: 6~44.8DB
		FIX: SHUTTER: 256FLD~1/10000DB AGC: 6~44.8DB
	WHITE BAL	ATW / PUSH / USER1 / USER2 / MANUAL / PUSH LOCK (DEPENDANT ON SCENE)
ATW:		SPEED: 000~255 DELAY CNT: 001~255 ATW FRAME: 001~255 ENVIRONMENT: AUTO / INDOOR / SUNNY / SHADE
USER1:		B-GAIN: 0~255 R-GAIN: 0~255
USER2:		B-GAIN: 0~255 R-GAIN: 0~255
MANUAL:		LEVEL: 00~63
HLC/BLC	OFF / HLC / BLC	
	HLC:	CLIP LEVEL: 000~255
ATR-EX	ON:	CONTRAST: LOW / MID / HIGH CLEAR FACE: OFF / LOW / MID / HIGH

For more information on menu options and what they do see online tip 295 ▶▶▶



Features

- Tough Vandal-proof Metal Dome
- 720TVL
- 1/3" Sony Effio-A
- 3.6mm Fixed Lens
- Up the Co-ax OSD control
- Just Ø92mm
- Low Light

Specification

FUNCTION	SPECIFICATION
CCD	1/3" Sony Effio-A
Resolution	720TVL - 976(H) x 582(V)
Lens	3.6mm Board /F2.0
Min. Illumination	0.001Lux
Video Output	1v p ~ p, 75Ω
Video Connection	BNC
Power/Current	12vDC (± 10%) 150mA
Power Connection	2.1mm DC Socket
Auto Shutter	PAL: 1/50s ~ 1/100,000s
S/N Ratio	More than 52dB
Operating Temp.	-10°C ~ +50°C
Dimensions	92mm(D) x 68mm(H)
Weight	500gms

Options Available

PART CODE	DESCRIPTION
CAM052W	720TVL Mini Fixed Dome

Other Products To Consider



Internal 700TVL 2.8-12mm Vari-focal Vandal-proof Dome With UTC & WDR CAM559W



Up The Co-ax In-line Controller REM088

All specifications are approximate. System Q Ltd reserves the right to change any product specifications or features without notice. Whilst every effort is made to ensure that these instructions are complete and accurate, System Q Ltd cannot be held responsible in any way for any losses, no matter how they arise, from errors or omissions in these instructions, or the performance or non-performance of the equipment that these instructions refer to.

This symbol on the products and/or accompanying documents means that used electronic equipment must not be mixed with general household waste. For treatment, recovery and recycling please return this unit to your trade supplier or local designated collection point as defined by your local council.

WEE/CG0783SS

Camera Menu Continued

Menu Item	Sub Menu	Sub Menu Options
SCENE SELECT	DNR	LEVEL: 0~6
	DAY/NIGHT	AUTO / DAY / NIGHT
		AUTO: BURST: OFF/ON CNTL SIGNAL: INT / EXT1 / EXT2 DELAY INT: 000~255 DAY→NIGHT: 000~255 NIGHT→DAY: 024~255
	IR OPTIMIZER	NIGHT: BURST: OFF/ON
		OFF / ON
	LENS SHD COMP	ON:
ON / OFF		
DEFOG	ON:	PATTERN: SET1 / SET2 / SET3 POSH: 000~959 POSV: 000~578 LEVEL: OFF / LOW / MID / HIGH
	ON / OFF (DEPENDANT ON SCENE)	
FLK LESS	ON:	LEVEL: LOW / MID / HIGH
	AUTO / ON / OFF	
ANTI CR	AUTO:	MODE: SHUTTER FIX / GAIN CNTL
	ON:	MODE: SHUTTER FIX / GAIN CNTL
PIC ADJUST	AUTO / ON / OFF	
	BRIGHTNESS: 000~255 CONTRAST: 00~63 SHARPNESS: 00~15 HUE: 000~127 COLOUR GAIN: 000~255	
E-ZOOM	ON / OFF	
	ON:	MAG: 000~255 PAN: 512 TILT: 256

Features

- Tough Vandal-proof Metal Dome
- 720TVL
- 1/3" Sony Effio-A
- 3.6mm Fixed Lens
- Up the Co-ax OSD control
- Just Ø92mm
- Low Light

Specification

FUNCTION	SPECIFICATION
CCD	1/3" Sony Effio-A
Resolution	720TVL - 976(H) x 582(V)
Lens	3.6mm Board /F2.0
Min. Illumination	0.001Lux
Video Output	1v p ~ p, 75Ω
Video Connection	BNC
Power/Current	12vDC (± 10%) 150mA
Power Connection	2.1mm DC Socket
Auto Shutter	PAL: 1/50s ~ 1/100,000s
S/N Ratio	More than 52dB
Operating Temp.	-10°C ~ +50°C
Dimensions	92mm(D) x 68mm(H)
Weight	500gms

Options Available

PART CODE	DESCRIPTION
CAM052W	720TVL Mini Fixed Dome

Other Products To Consider



Internal 700TVL
2.8-12mm Vari-focal
Vandal-proof Dome
With UTC & WDR
CAM559W



Up The Co-ax In-line
Controller
REM088

All specifications are approximate. System Q Ltd reserves the right to change any product specifications or features without notice. Whilst every effort is made to ensure that these instructions are complete and accurate, System Q Ltd cannot be held responsible in any way for any losses, no matter how they arise, from errors or omissions in these instructions, or the performance or non-performance of the equipment that these instructions refer to.

This symbol on the products and/or accompanying documents means that used electronic equipment must not be mixed with general household waste. For treatment, recovery and recycling please return this unit to your trade supplier or local designated collection point as defined by your local council.

WEE/CG0783SS

For more information on menu options and what they do see online tip 295 ▶▶▶



Camera Menu Continued

Menu Item	Sub Menu	Sub Menu Options
DIS		ON / OFF
PRIVACY MASK		AREA SEL: 1~15 DISPLAY: ON / OFF POSITION: EDIT POSITION & SHAPE OF MASK COLOUR: RED / GREEN / BLUE / YELLOW / CYAN / MAGENTA / WHITE / BLACK TRANSP: 0.00~1.00 MOSAIC: ON / OFF (TRANSP MUST BE SET TO 0.00)
MOTION DET		ON / OFF ON: DETECT SENSE: 000~127 INTERVAL: 000~127 BLOCK DISP: ON / OFF MASK AREA: EDIT MASK AREA (EXCLUSION ZONE) MOTION AREA: AREA SEL: 1~4 AREA MODE: ON / OFF TOP: 00~15 BOTTOM: 00~15 LEFT: 00~23 RIGHT: 00~23
SYS SETTINGS	SYNC MODE	INT
	LENS	MANUAL / AUTO AUTO: TYPE: DC / VIDEO MODE: AUTO / OPEN / CLOSE ADJUST: AUTO IRIS ADJUSTMENT SPEED: 000~255
	FLIP	OFF / V / H / HV
	LCD/CRT	LCD / CRT
	COMMUNICATION	PROTOCOL: PELCO-D ADDRESS: 001~255 BAUDRATE: 2400~115200 DATA BIT: 8BIT PARITY: OFF / ODD / EVEN STOP BIT: 1BIT
	CAMERA ID	ON / OFF ON: NAME CAMERA OR EDIT CAMERA NAME
LANGUAGE		ENGLISH / SPANISH / RUSSIAN / PORTUGUESE / GERMAN / FRENCH / CHINESE / JAPANESE
VERSION		FIRMWARE VERSION
MAINTENANCE	IN PIX MASK (PIXEL MANAGEMENT)	MANUAL / AUTO / DATA CLEAR MANUAL: REGISTRATION: SET REGISTRATION FOR DEAD PIXELS REG POINT: OFF / WHITE / BLACK CURSOR COLOUR: WHITE / BLACK / RED / GREEN / BLUE BLINK: OFF / ON REG NUMBER: DISPLAYS REG NUMBER AUTO: LEVEL 1: 000~255 LEVEL 2: 000~255 AUTO: RUN / BACK
	CAMERA RESET	CAMERA RESET / BACK
EXIT		SAVE / NOT SAVE / CANCEL / BACK

Features

- Tough Vandal-proof Metal Dome
- 720TVL
- 1/3" Sony Effio-A
- 3.6mm Fixed Lens
- Up the Co-ax OSD control
- Just Ø92mm
- Low Light

Specification

FUNCTION	SPECIFICATION
CCD	1/3" Sony Effio-A
Resolution	720TVL - 976(H) x 582(V)
Lens	3.6mm Board /F2.0
Min. Illumination	0.001Lux
Video Output	1v p ~ p, 75Ω
Video Connection	BNC
Power/Current	12vDC (± 10%) 150mA
Power Connection	2.1mm DC Socket
Auto Shutter	PAL: 1/50s ~ 1/100,000s
S/N Ratio	More than 52dB
Operating Temp.	-10°C ~ +50°C
Dimensions	92mm(D) x 68mm(H)
Weight	500gms

Options Available

PART CODE	DESCRIPTION
CAM052W	720TVL Mini Fixed Dome

Other Products To Consider



Internal 700TVL
2.8-12mm Vari-focal
Vandal-proof Dome
With UTC & WDR
CAM559W



Up The Co-ax In-line
Controller
REM088

All specifications are approximate. System Q Ltd reserves the right to change any product specifications or features without notice. Whilst every effort is made to ensure that these instructions are complete and accurate, System Q Ltd cannot be held responsible in any way for any losses, no matter how they arise, from errors or omissions in these instructions, or the performance or non-performance of the equipment that these instructions refer to.

This symbol on the products and/or accompanying documents means that used electronic equipment must not be mixed with general household waste. For treatment, recovery and recycling please return this unit to your trade supplier or local designated collection point as defined by your local council.
WEE/CG0783SS

For more information on menu options and what they do see online tip 295 ▶▶▶



Fault Finding

The table below describes common problems and possible solutions.

Fault	Possible Cause	Possible Solution
Interference On The Camera Picture	Poor or inadequate cabling or an unregulated or poorly regulated power supply.	Make sure you are using a regulated 12V DC power supply.
No Picture	The camera cannot function without the correct working power supply.	<p>Step 1 Test that the camera has the correct voltage supplying it, you must do this with the camera connected so that there is load on the PSU. The camera should have at least 10.5V DC connected to it.</p> <p>Step 2 Check there is and image at the camera end with a test monitor. If there is a picture here but not at the DVR it could be one of the following:</p> <p>A. Video loss in Composite cable as run too long usually you would get a picture up to around 120mtrs (Remedied by fitting a video amp).</p> <p>B. Ensure that the BNC - BNC lead that you connect between the camera and monitor has no shorts or open circuits. If you are making your own lead, don't forget the lead must have two wires connected to complete the circuit, Video and Ground.</p> <p>C. No Video signal down CAT5 or CAT5+2. Check you have used a "pair of cores" not individual cores from different pairs.</p>
One Camera Picture Overlaid On Another Using CAT5	Camera cores and pairs mixed up.	Check you have used a "pair of cores" not individual cores from different pairs.
The Picture's Colour Changes Constantly	Fluorescent lighting emits an electromagnetic field which can cause colour roll.	Move the camera further away from any fluorescent lighting.
Rolling Humbar Or Tearing Picture	Multiple grounds/earths between two pieces of equipment forming a new circuit. Any interference is carried by the current into the DVR and is displayed as a rolling 'Hum' bar.	Fit ground loop isolators between the cameras and the DVR at the DVR end. Ground loop isolators such as the Humbloc (CON700), terminate the ground loop blocking the hum and interference from entering the DVR.

Features

- Tough Vandal-proof Metal Dome
- 720TVL
- 1/3" Sony Effio-A
- 3.6mm Fixed Lens
- Up the Co-ax OSD control
- Just Ø92mm
- Low Light

Specification

FUNCTION	SPECIFICATION
CCD	1/3" Sony Effio-A
Resolution	720TVL - 976(H) x 582(V)
Lens	3.6mm Board /F2.0
Min. Illumination	0.001Lux
Video Output	1v p ~ p, 75Ω
Video Connection	BNC
Power/Current	12vDC (± 10%) 150mA
Power Connection	2.1mm DC Socket
Auto Shutter	PAL: 1/50s ~ 1/100,000s
S/N Ratio	More than 52dB
Operating Temp.	-10°C ~ +50°C
Dimensions	92mm(D) x 68mm(H)
Weight	500gms

Options Available

PART CODE	DESCRIPTION
CAM052W	720TVL Mini Fixed Dome

Other Products To Consider



Internal 700TVL
2.8-12mm Vari-focal
Vandal-proof Dome
With UTC & WDR
CAM559W



Up The Co-ax In-line
Controller
REM088

All specifications are approximate. System Q Ltd reserves the right to change any product specifications or features without notice. Whilst every effort is made to ensure that these instructions are complete and accurate, System Q Ltd cannot be held responsible in any way for any losses, no matter how they arise, from errors or omissions in these instructions, or the performance or non-performance of the equipment that these instructions refer to.

This symbol on the products and/or accompanying documents means that used electronic equipment must not be mixed with general household waste. For treatment, recovery and recycling please return this unit to your trade supplier or local designated collection point as defined by your local council.

WEE/CG0783SS



For more information on menu options and what they do see online tip 295 ▶▶▶