

CAM490 - 12" Retail Mirror with Hidden Camera



12" Retail Mirror With Hidden High Resolution CCTV Camera

The clever design of this camera allows it to go unnoticed. Capturing quality footage with a 700TVL day/night camera hidden behind the mirror. Its 2.1mm 12V DC socket makes it easy to power and all cables are hidden inside the bracket.

The CAM490 is packed with features such as digital wide dynamic range, motion detection, 8 zone privacy masking, built-in back light compensation, automatic gain control, automatic white balance and much more.

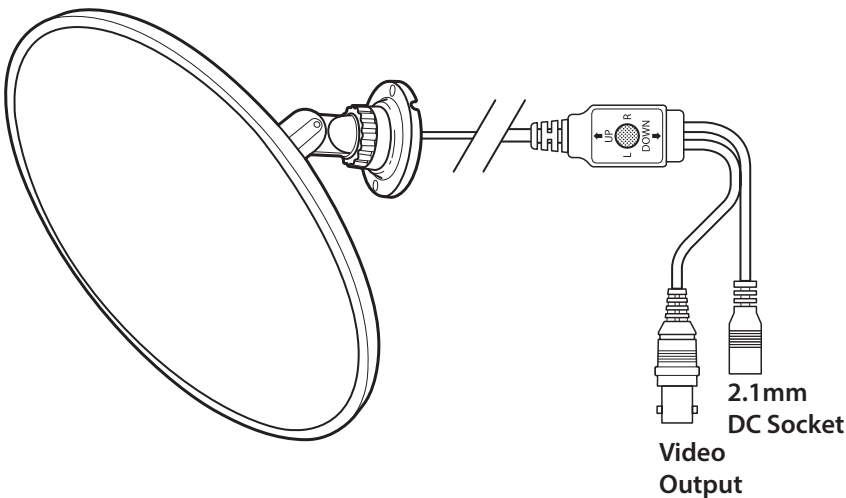
Setup is also made easy thanks to the CAM490's OSD through which all the camera's settings can be configured.

Mounting The Camera

The camera is designed to be ceiling mounted.

Connecting The Camera

The CAM490 comes with moulded connections for video and power. There is a BNC socket for connecting the video and 2.1mm DC socket for connecting the power



For more information on menu options and what they do see online tip 295 ▶▶▶



Features

- Built-in Backlight Compensation
- Wide Dynamic Range
- 3.6mm Lens
- Motion Detection
- 700 TVL
- 8 Zone Privacy Masking
- 12V DC
- Covert

Specification

FUNCTION	SPECIFICATION
Image Sensor	1/3" Sony Effio
Resolution	700 TVL
Lens	3.6mm Fixed Iris
Day/Night	Electronic
Input Voltage	12V DC
Current	70mA
Video Connection	BNC Socket
Power Connection	2.1mm DC Socket
WDR	Yes
Backlight Comp	Automatic
Privacy Masking	8 Zone
Sens Up	Yes
White Balance	Auto
Bracket	Supplied
Menu	OSD
Dimensions	308mm (Dia) x 40mm

Options Available

PART CODE	DESCRIPTION
CAM490	700 TVL 12" Mirror Camera

Other Products To Consider



1080p HD-TVI 12" Retail Mirror Camera
SEE490



700 TVL Covert Ceiling Camera
CAM496

All specifications are approximate. System Q Ltd reserves the right to change any product specifications or features without notice. Whilst every effort is made to ensure that these instructions are complete and accurate, System Q Ltd cannot be held responsible in any way for any losses, no matter how they arise, from errors or omissions in these instructions, or the performance or non-performance of the equipment that these instructions refer to.



This symbol on the products and/or accompanying documents means that used electronic equipment must not be mixed with general household waste. For treatment, recovery and recycling please return this unit to your trade supplier or local designated collection point as defined by your local council.

WEE/CG078355

Up The Co-ax Menu Control

Up the Co-ax otherwise known as UTC is a method of controlling the cameras OSD using the Co-ax cable. This is achieved using a REM088 in-line controller. The big benefit of configuring a camera via UTC is that it can be done next to the DVR and monitor. The Co-ax cable carrying the camera's video is simply connected to the controller which is then connected to the DVR. Once the camera has been setup, the controller can be removed and the camera is then connected to the DVR as normal.

Menu Page 1

Menu Item	Options
LENS	AUTO / MANUAL AUTO: 1. TYPE: DC / VIDEO 3. SPEED: 0 - 255 2. MODE: AUTO / OPEN / CLOSE
SHUTTER/AGC	AUTO / MANUAL AUTO: HIGH LUMINANCE 1. MODE: SHUT+AUTO IRIS / AUTO IRIS 2. BRIGHTNESS: 0 - 255 LOW LUMINANCE 1. MODE: AGC / OFF 2. BRIGHTNESS: X0.25 - X1.00 MANUAL: 1. MODE: SHUT+AGC 3. AGC: 6.00 - 44.80 2. SHUTTER: 1/50 - 1/10000
WHITE BAL	ATW / PUSH / USER1 / USER2 / ANTI CR / MANUAL / PUSH LOCK ATW: 1. SPEED: 0 - 255 3. ATW FRAME: X0.50 - X2.00 2. DISPLAY CNT: 0- 255 4. ENVIRONMENT: INDOOR / OUTDOOR USER1: USER1 WB 1. B-GAIN: 0 - 255 2. R-GAIN: 0 - 255 USER2: USER2 WB 1. B-GAIN: 0 - 255 2. R-GAIN: 0 - 255 MANUAL: 1. LEVEL: 0-255
BACKLIGHT	OFF / BLC / HLC
PICT ADJUST	1. MIRROR: ON / OFF 5: HUE: 0 - 255 2. BRIGHTNESS: 0 - 255 6: GAIN: 0 - 255 3. CONTRAST: 0 - 255 7: DEFOG: OFF / LOW / MID / HIGH 4. SHARPNESS: 0 - 255
D-WDR	ON / OFF ON: 1. LUMINANCE: LOW / MID / HIGH 2. CONTRAST: LOW / MID LOW / MID / MID HIGH / HIGH
MOTION DET	ON / OFF ON: 1. DETECT SENSE: 0 - 127 3. MOTION AREA: ON / OFF 2. BLOCK DISP: ON / OFF / ENABLE 4. AREA SEL: ENABLE: SET EXCLUSION AREA, TOP: 0 - 288 LONG PRESS TO SAVE AND EXIT BOTTOM: 0 - 288 LEFT: 0 - 468 RIGHT: 0 - 468
NEXT	DISPLAY MENU PAGE 2
SAVE ALL	SAVE ALL CURRENT SETTINGS
EXIT	EXIT MENU

Features

- Built-in Backlight Compensation
- Wide Dynamic Range
- 3.6mm Lens
- Motion Detection
- 700 TVL
- 8 Zone Privacy Masking
- 12V DC
- Covert

Specification

FUNCTION	SPECIFICATION
Image Sensor	1/3" Sony Effo
Resolution	700 TVL
Lens	3.6mm Fixed Iris
Day/Night	Electronic
Input Voltage	12V DC
Current	70mA
Video Connection	BNC Socket
Power Connection	2.1mm DC Socket
WDR	Yes
Backlight Comp	Automatic
Privacy Masking	8 Zone
Sens Up	Yes
White Balance	Auto
Bracket	Supplied
Menu	OSD
Dimensions	308mm (Dia) x 40mm

Options Available

PART CODE	DESCRIPTION
CAM490	700 TVL 12" Mirror Camera

Other Products To Consider



1080p HD-TVI 12" Retail Mirror Camera
SEE490



700 TVL Covert Ceiling Camera
CAM496

All specifications are approximate. System Q Ltd reserves the right to change any product specifications or features without notice. Whilst every effort is made to ensure that these instructions are complete and accurate, System Q Ltd cannot be held responsible in any way for any losses, no matter how they arise, from errors or omissions in these instructions, or the performance or non-performance of the equipment that these instructions refer to.

This symbol on the products and/or accompanying documents means that used electronic equipment must not be mixed with general household waste. For treatment, recovery and recycling please return this unit to your trade supplier or local designated collection point as defined by your local council.

WEE/CG0783SS



For more information on menu options and what they do see online tip 295 ▶▶▶

Menu Page 2

Menu Item	Options
PRIVACY	ON / OFF ON: 1. AREA SEL: 1/4 - 4/4 TOP: 0 - 288 BOTTOM: 0 - 288 LEFT: 0 - 468 RIGHT: 0 - 468 2. COLOUR: 1 - 8 3. TRANSP: 0.00 - 1.00 4. MOSAIC: ON / OFF
DAY/NIGHT	EXT1 / EXT2 / AUTO / COLOUR / B/W AUTO: 1. BURST: ON / OFF 2. DELAY CNT: 0 - 255 3. DAY→NIGHT: 0 - 255 4. NIGHT→DAY: 0 - 255 B/W: 1. BURST: ON / OFF 2. SMART IR: ON / OFF 3. MODE: AUTO / CENTRE 4. LEVEL: 0 - 31
2 DNR	1. NR MODE: Y/C / OFF / Y / C YC: Y LEVEL: 0 - 15 C LEVEL: 0 - 15 Y: Y LEVEL: 0 - 15 C: C LEVEL: 0 - 15
CAMERA ID	ON / OFF ON: SET CAMERA'S ID (NAME) AND THE POSITION OF THE ID ON-SCREEN
SYNC	INT
LANGUAGE	ENGLISH / JAPANESE / GERMAN / FRENCH / RUSSIAN / PORTUGUESE / SPANISH / CHINESE
CAMERA RESET	RESET CAMERA TO FACTORY DEFAULTS
COMMUNICATION	1. PROTOCOL: PELCO-D 2. ADDRESS: 0 - 254 3. BAUDRATE: 2.40 / 4.80 / 9.60 / 19.20 / 38.40 / 57.60 / 115.20
BACK	BACK TO MENU PAGE 1
SAVE ALL	SAVE ALL CURRENT SETTINGS
EXIT	EXIT MENU

Features

- Built-in Backlight Compensation
- Wide Dynamic Range
- 3.6mm Lens
- Motion Detection
- 700 TVL
- 8 Zone Privacy Masking
- 12V DC
- Covert

Specification

FUNCTION	SPECIFICATION
Image Sensor	1/3" Sony Effo
Resolution	700 TVL
Lens	3.6mm Fixed Iris
Day/Night	Electronic
Input Voltage	12V DC
Current	70mA
Video Connection	BNC Socket
Power Connection	2.1mm DC Socket
WDR	Yes
Backlight Comp	Automatic
Privacy Masking	8 Zone
Sens Up	Yes
White Balance	Auto
Bracket	Supplied
Menu	OSD
Dimensions	308mm (Dia) x 40mm

Options Available

PART CODE	DESCRIPTION
CAM490	700 TVL 12" Mirror Camera

Other Products To Consider



1080p HD-TVI 12"
Retail Mirror Camera
SEE490



700 TVL Covert
Ceiling Camera
CAM496

All specifications are approximate. System Q Ltd reserves the right to change any product specifications or features without notice. Whilst every effort is made to ensure that these instructions are complete and accurate, System Q Ltd cannot be held responsible in any way for any losses, no matter how they arise, from errors or omissions in these instructions, or the performance or non-performance of the equipment that these instructions refer to.

This symbol on the products and/or accompanying documents means that used electronic equipment must not be mixed with general household waste. For treatment, recovery and recycling please return this unit to your trade supplier or local designated collection point as defined by your local council.
WEE/CG0783SS



For more information on menu options and what they do see online tip 295 ▶▶▶

Fault Finding

The table below describes common problems and possible solutions.

Fault	Possible Cause	Possible Solution
Interference On The Camera Picture	Poor or inadequate cabling or an unregulated or poorly regulated power supply.	Make sure you are using a regulated 12V DC power supply.
No Picture	The camera cannot function without the correct working power supply.	<p>Step 1 Test that the camera has the correct voltage supplying it, you must do this with the camera connected so that there is load on the PSU. The camera should have at least 10.5V DC connected to it.</p> <p>Step 2 Check there is and image at the camera end with a test monitor. If there is a picture here but not at the DVR it could be one of the following:</p> <p>A. Video loss in Composite cable as run too long usually you would get a picture up to around 120mtrs (Remedied by fitting a video amp).</p> <p>B. Ensure that the BNC - BNC lead that you connect between the camera and monitor has no shorts or open circuits. If you are making your own lead, don't forget the lead must have two wires connected to complete the circuit, Video and Ground.</p> <p>C. No Video signal down CAT5 or CAT5+2. Check you have used a "pair of cores" not individual cores from different pairs.</p>
One Camera Picture Overlaid On Another Using CAT5	Camera cores and pairs mixed up.	Check you have used a "pair of cores" not individual cores from different pairs.
The Picture's Colour Changes Constantly	Fluorescent lighting emits an electromagnetic field which can cause colour roll.	Move the camera further away from any fluorescent lighting.

Features

- Built-in Backlight Compensation
- Wide Dynamic Range
- 3.6mm Lens
- Motion Detection
- 700 TVL
- 8 Zone Privacy Masking
- 12V DC
- Covert

Specification

FUNCTION	SPECIFICATION
Image Sensor	1/3" Sony Effio
Resolution	700 TVL
Lens	3.6mm Fixed Iris
Day/Night	Electronic
Input Voltage	12V DC
Current	70mA
Video Connection	BNC Socket
Power Connection	2.1mm DC Socket
WDR	Yes
Backlight Comp	Automatic
Privacy Masking	8 Zone
Sens Up	Yes
White Balance	Auto
Bracket	Supplied
Menu	OSD
Dimensions	308mm (Dia) x 40mm

Options Available

PART CODE	DESCRIPTION
CAM490	700 TVL 12" Mirror Camera

Other Products To Consider



1080p HD-TVI 12" Retail Mirror Camera
SEE490



700 TVL Covert Ceiling Camera
CAM496

All specifications are approximate. System Q Ltd reserves the right to change any product specifications or features without notice. Whilst every effort is made to ensure that these instructions are complete and accurate, System Q Ltd cannot be held responsible in any way for any losses, no matter how they arise, from errors or omissions in these instructions, or the performance or non-performance of the equipment that these instructions refer to.

This symbol on the products and/or accompanying documents means that used electronic equipment must not be mixed with general household waste. For treatment, recovery and recycling please return this unit to your trade supplier or local designated collection point as defined by your local council.

WEE/CG0783SS



For more information on menu options and what they do see online tip 295 ▶▶▶