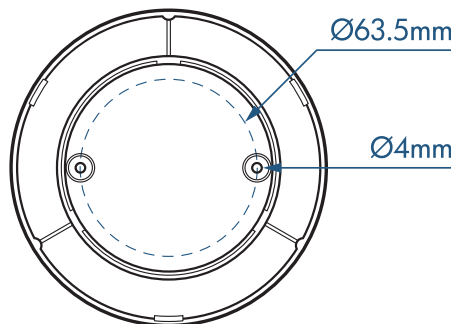


## Mini Internal UTC 700TVL Dome In White

Measuring only 108mm in diameter the CAM515UW is suited to most internal jobs especially where space is limited. The mini dome provides great image quality capturing at 700TVL & works well in light as low as 0.001 Lux. Featuring wide dynamic range for clear images in tricky light conditions and up the Co-ax telemetry (UTC) so the camera can be configured using the Co-ax cable.

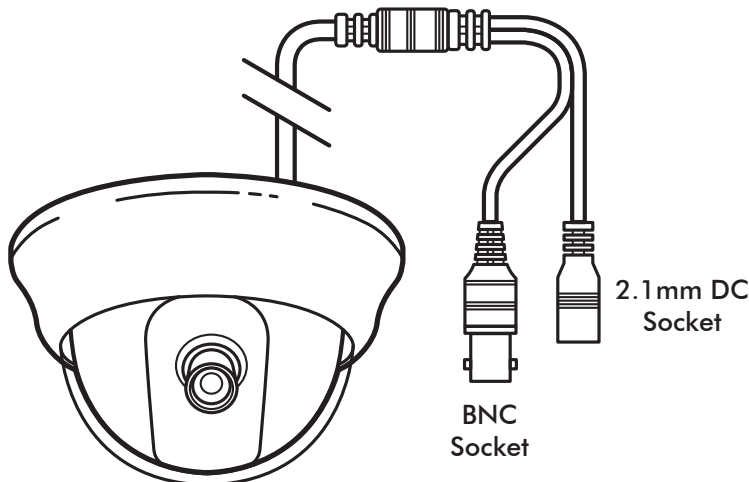
## Mounting The Camera

The CAM515UW is mounted by screwing through the two mounting holes in the base of the dome. The helpful diagram on the right shows sizes and dimensions.



## Connecting The Camera

The CAM515UW comes with moulded connections for video and power. There is a BNC socket for connecting the video and 2.1 mm DC socket for connecting the power.



## Features

- 700 TVL
- 0.001 Lux
- 3.6mm Board
- Only 11cm Diameter
- Up the Co-ax OSD control

## Specification

FUNCTION	SPECIFICATION
CCD	1/3" Sony Super HAD II
Resolution	700TVL - 976(H) x 582(V)
Lens	3.6mm Board /F2.0
Min Illumination	0.001Lux
Video Output	1v p ~ p, 75Ω
Video Connection	BNC
Power/Current	12vDC (± 10%) 150mA
Power Connection	2.1mm DC Socket
Auto Shutter	PAL: 1/50s ~ 1/100,00s
S/N Ratio	More than 52dB
Use	Internal Only
Operating Temp.	-10°C ~ +50°C
Dimensions	108mm(D) x 60mm(H)
Weight	300g

## Options Available

PART CODE	DESCRIPTION
CAM515UW	700TVL Mini Dome UTC

## Other Products To Consider



2.8-12mm Varifocal 720TVL IR Dome Camera With WDR & UTC. Available In Grey, Silver & White  
**CAM086U**



Up The Co-ax In-line Controller  
**REM088**

All specifications are approximate. System Q Ltd reserves the right to change any product specifications or features without notice. Whilst every effort is made to ensure that these instructions are complete and accurate, System Q Ltd cannot be held responsible in any way for any losses, no matter how they arise, from errors or omissions in these instructions, or the performance or non-performance of the equipment that these instructions refer to.

This symbol on the products and/or accompanying documents means that used electronic equipment must not be mixed with general household waste. For treatment, recovery and recycling please return this unit to your trade supplier or local designated collection point as defined by your local council.  
WEE/CG0783SS

## Accessing The Camera's Menu

The camera's menu system can be accessed and controlled in two ways. The first method is using the in-line joystick on the camera's video lead. The second method is to use an up the Co-ax controller which can be done whilst next to the DVR.

## Up The Co-ax Menu Control

Up the Co-ax otherwise known as UTC is a method of controlling the cameras OSD using the Co-ax cable. This is achieved using a REM088 in-line controller. The big benefit of configuring a camera via UTC is that it can be done next to the DVR and monitor. The Co-ax cable carrying the camera's video is simply connected to the controller which is then connected to the DVR. Once the camera has been setup, the controller can be removed and the camera is then connected to the DVR as normal.

## Menu Page 1

Menu Item	Options
LENS	AUTO / MANUAL AUTO: 1. TYPE: DC / VIDEO 3. SPEED: 0 - 255 2. MODE: AUTO / OPEN / CLOSE
SHUTTER/AGC	AUTO / MANUAL AUTO: HIGH LUMINANCE 1. MODE: SHUT+AUTO IRIS / AUTO IRIS 2. BRIGHTNESS: 0 - 255 LOW LUMINANCE 1. MODE: AGC / OFF 2. BRIGHTNESS: X0.25 - X1.00 MANUAL: 1. MODE: SHUT+AGC 3. AGC: 6.00 - 44.80 2. SHUTTER: 1/50 - 1/10000
WHITE BAL	ATW / PUSH / USER1 / USER2 / ANTI CR / MANUAL / PUSH LOCK ATW: 1. SPEED: 0 - 255 3. ATW FRAME: X0.50 - X2.00 2. DISPLAY CNT: 0- 255 4. ENVIRONMENT: INDOOR / OUTDOOR USER1: USER1 WB 1. B-GAIN: 0 - 255 2. R-GAIN: 0 - 255 USER2: USER2 WB 1. B-GAIN: 0 - 255 2. R-GAIN: 0 - 255 MANUAL: 1. LEVEL: 0-255
BACKLIGHT	OFF / BLC / HLC
PICT ADJUST	1. MIRROR: ON / OFF 5: HUE: 0 - 255 2. BRIGHTNESS: 0 - 255 6: GAIN: 0 - 255 3. CONTRAST: 0 - 255 7: DEFOG: OFF / LOW / MID / HIGH 4. SHARPNESS: 0 - 255
DWDR	ON / OFF ON: 1. LUMINANCE: LOW / MID / HIGH 2. CONTRAST: LOW / MID LOW / MID / MID HIGH / HIGH
MOTION DET	ON / OFF ON: 1. DETECT SENSE: 0 - 127 3. MOTION AREA: ON / OFF 2. BLOCK DISP: ON / OFF / ENABLE 4. AREA SEL: ENABLE: SET EXCLUSION AREA, TOP: 0 - 288 LONG PRESS TO SAVE AND EXIT BOTTOM: 0 - 288 LEFT: 0 - 468 RIGHT: 0 - 468
NEXT	DISPLAY MENU PAGE 2
SAVE ALL	SAVE ALL CURRENT SETTINGS
EXIT	EXIT MENU

## Features

- 700 TVL
- 0.001 Lux
- 3.6mm Board
- Only 11cm Diameter
- Up the Co-ax OSD control

## Specification

FUNCTION	SPECIFICATION
CCD	1/3" Sony Super HAD II
Resolution	700TVL - 976(H) x 582(V)
Lens	3.6mm Board /F2.0
Min Illumination	0.001Lux
Video Output	1v p ~ p, 75Ω
Video Connection	BNC
Power/Current	12vDC (± 10%) 150mA
Power Connection	2.1mm DC Socket
Auto Shutter	PAL: 1/50s ~ 1/100,00s
S/N Ratio	More than 52dB
Use	Internal Only
Operating Temp.	-10°C ~ +50°C
Dimensions	108mm(D) x 60mm(H)
Weight	300g

## Options Available

PART CODE	DESCRIPTION
CAM515UW	700TVL Mini Dome UTC

## Other Products To Consider



2.8-12mm Varifocal 720TVL IR Dome Camera With WDR & UTC. Available In Grey, Silver & White  
**CAM086U**



Up The Co-ax In-line Controller  
**REM088**

All specifications are approximate. System Q Ltd reserves the right to change any product specifications or features without notice. Whilst every effort is made to ensure that these instructions are complete and accurate, System Q Ltd cannot be held responsible in any way for any losses, no matter how they arise, from errors or omissions in these instructions, or the performance or non-performance of the equipment that these instructions refer to.



WEE/CG0783SS

This symbol on the products and/or accompanying documents means that used electronic equipment must not be mixed with general household waste. For treatment, recovery and recycling please return this unit to your trade supplier or local designated collection point as defined by your local council.

## Menu Page 2

Menu Item	Options
PRIVACY	ON / OFF ON: 1. AREA SEL: 1/4 - 4/4 TOP: 0 - 288 BOTTOM: 0 - 288 LEFT: 0 - 468 RIGHT: 0 - 468 2. COLOUR: 1 - 8 3. TRANSP: 0.00 - 1.00 4. MOSAIC: ON / OFF
DAY/NIGHT	EXT1 / EXT2 / AUTO / COLOUR / B/W AUTO: 1. BURST: ON / OFF 2. DELAY CNT: 0 - 255 3. DAY→NIGHT: 0 - 255 4. NIGHT→DAY: 0 - 255 B/W: 1. BURST: ON / OFF 2. SMART IR: ON / OFF 3. MODE: AUTO / CENTRE 4. LEVEL: 0 - 31
DNR	1. NR MODE: Y/C / OFF / Y / C YC: Y LEVEL: 0 - 15 C LEVEL: 0 - 15 Y: Y LEVEL: 0 - 15 C: C LEVEL: 0 - 15
CAMERA ID	ON / OFF ON: SET CAMERA'S ID (NAME) AND THE POSITION OF THE ID ON-SCREEN
SYNC	INT
LANGUAGE	ENGLISH / JAPANESE / GERMAN / FRENCH / RUSSIAN / PORTUGUESE / SPANISH / CHINESE
CAMERA RESET	RESET CAMERA TO FACTORY DEFAULTS
COMMUNICATION	1. PROTOCOL: PELCO-D 2. ADDRESS: 0 - 254 3. BAUDRATE: 2.40 / 4.80 / 9.60 / 19.20 / 38.40 / 57.60 / 115.20
BACK	BACK TO MENU PAGE 1
SAVE ALL	SAVE ALL CURRENT SETTINGS
EXIT	EXIT MENU

## Features

- 700 TVL
- 0.001 Lux
- 3.6mm Board
- Only 11cm Diameter
- Up the Co-ax OSD control

## Specification

FUNCTION	SPECIFICATION
CCD	1/3" Sony Super HAD II
Resolution	700TVL - 976(H) x 582(V)
Lens	3.6mm Board /F2.0
Min Illumination	0.001Lux
Video Output	1v p ~ p, 75Ω
Video Connection	BNC
Power/Current	12vDC (± 10%) 150mA
Power Connection	2.1mm DC Socket
Auto Shutter	PAL: 1/50s ~ 1/100,00s
S/N Ratio	More than 52dB
Use	Internal Only
Operating Temp.	-10°C ~ +50°C
Dimensions	108mm(D) x 60mm(H)
Weight	300g

## Options Available

PART CODE	DESCRIPTION
CAM515UW	700TVL Mini Dome UTC

## Other Products To Consider



2.8-12mm Varifocal  
720TVL IR Dome  
Camera With WDR  
& UTC. Available In  
Grey, Silver & White  
**CAM086U**



Up The Co-ax In-line  
Controller  
**REM088**

For more information on menu options and what they do see online tip 295 ▶▶▶



All specifications are approximate. System Q Ltd reserves the right to change any product specifications or features without notice. Whilst every effort is made to ensure that these instructions are complete and accurate, System Q Ltd cannot be held responsible in any way for any losses, no matter how they arise, from errors or omissions in these instructions, or the performance or non-performance of the equipment that these instructions refer to.

This symbol on the products and/or accompanying documents means that used electronic equipment must not be mixed with general household waste. For treatment, recovery and recycling please return this unit to your trade supplier or local designated collection point as defined by your local council.  
WEE/CG0783SS

## Fault Finding

The table below describes common problems and possible solutions.

Fault	Possible Cause	Possible Solution
Interference On The Camera Picture	Poor or inadequate cabling or an unregulated or poorly regulated power supply.	Make sure you are using a regulated 12V DC power supply.
No Picture	The camera cannot function without the correct working power supply.	<p>Step 1 Test that the camera has the correct voltage supplying it, you must do this with the camera connected so that there is load on the PSU. The camera should have at least 10.5V DC connected to it.</p> <p>Step 2 Check there is and image at the camera end with a test monitor. If there is a picture here but not at the DVR it could be one of the following:</p> <p>A. Video loss in Composite cable as run too long usually you would get a picture up to around 120mtrs (Remedied by fitting a video amp).</p> <p>B. Ensure that the BNC - BNC lead that you connect between the camera and monitor has no shorts or open circuits. If you are making your own lead, don't forget the lead must have two wires connected to complete the circuit, Video and Ground.</p> <p>C. No Video signal down CAT5 or CAT5+2. Check you have used a "pair of cores" not individual cores from different pairs.</p>
One Camera Picture Overlaid On Another Using CAT5	Camera cores and pairs mixed up.	Check you have used a "pair of cores" not individual cores from different pairs.
The Picture's Colour Changes Constantly	Fluorescent lighting emits an electromagnetic field which can cause colour roll.	Move the camera further away from any fluorescent lighting.

## Features

- 700 TVL
- 0.001 Lux
- 3.6mm Board
- Only 11cm Diameter
- Up the Co-ax OSD control

## Specification

FUNCTION	SPECIFICATION
CCD	1/3" Sony Super HAD II
Resolution	700TVL - 976(H) x 582(V)
Lens	3.6mm Board /F2.0
Min Illumination	0.001Lux
Video Output	1v p ~ p, 75Ω
Video Connection	BNC
Power/Current	12vDC (± 10%) 150mA
Power Connection	2.1mm DC Socket
Auto Shutter	PAL: 1/50s ~ 1/100,00s
S/N Ratio	More than 52dB
Use	Internal Only
Operating Temp.	-10°C ~ +50°C
Dimensions	108mm(D) x 60mm(H)
Weight	300g

## Options Available

PART CODE	DESCRIPTION
CAM515UW	700TVL Mini Dome UTC

## Other Products To Consider



2.8-12mm Varifocal 720TVL IR Dome Camera With WDR & UTC. Available In Grey, Silver & White  
**CAM086U**



Up the Co-ax In-line Controller  
**REM088**

All specifications are approximate. System Q Ltd reserves the right to change any product specifications or features without notice. Whilst every effort is made to ensure that these instructions are complete and accurate, System Q Ltd cannot be held responsible in any way for any losses, no matter how they arise, from errors or omissions in these instructions, or the performance or non-performance of the equipment that these instructions refer to.

This symbol on the products and/or accompanying documents means that used electronic equipment must not be mixed with general household waste. For treatment, recovery and recycling please return this unit to your trade supplier or local designated collection point as defined by your local council.  
WEE/CG0783SS



For more information on menu options and what they do see online tip 295 ▶▶▶