

Features

- 2.8 - 12mm Vari-Focal Dome
- 2 Megapixel Lens
- 700 TVL
- 0.001 Lux
- Up the Co-ax OSD control
- RS485 OSD control
- Digital Wide Dynamic Range
- 12V DC
- Digital Noise Reduction

Specification

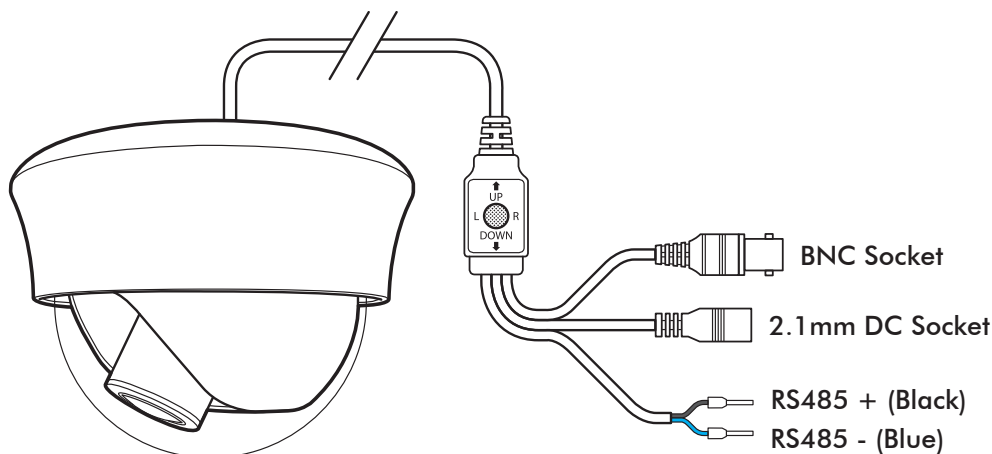
FUNCTION	SPECIFICATION
CCD	1/3" Sony Super HAD II
Resolution	700TVL
Lens	2.8 - 12mm Vari-Focal (2M Pixel)
Min. Illumination	0.001 Lux
Video Output	1v p ~ p, 75Ω
Video Connection	BNC
Power/Current	12vDC (± 10%) 90mA
Power Connection	2.1mm Socket
S/N Ratio	More than 52dB
Gain Control	Automatic
Operating Temp.	-10°C ~ +50°C
Dimensions	127mm(D) x 95mm(H)

Internal Vari-Focal Dome WDR & UTC

Internal colour dome fitted with a 2.8-12mm 2 mega pixel lens, a high resolution of 700TVL and a lux level of 0.001. The CAM523W features, digital wide dynamic range, up the co-ax telemetry, RS485, on screen display and digital noise reduction. Ideal for shops and stock rooms.

Connecting The Camera

The CAM523W comes with moulded connections for video, power and RS485 data. There is a BNC socket for connecting the video, a 2.1mm DC socket for connecting the power and 2 small wires for an RS485 connection. **Note** - the RS485 wires are polarity sensitive and must be connected as shown below.



Options Available

PART CODE	DESCRIPTION
CAM523W	Internal 700TVL Dome

Other Products To Consider



Internal 2.8-12mm Vari-focal 700TVL IR Dome Camera With WDR & UTC
CAM535UW



Up The Co-ax In-line Controller
REM088

All specifications are approximate. System Q Ltd reserves the right to change any product specifications or features without notice. Whilst every effort is made to ensure that these instructions are complete and accurate, System Q Ltd cannot be held responsible in any way for any losses, no matter how they arise, from errors or omissions in these instructions, or the performance or non-performance of the equipment that these instructions refer to.

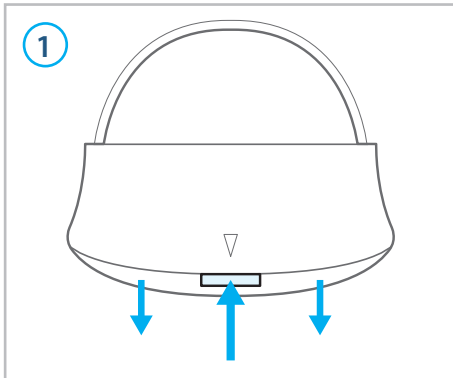
This symbol on the products and/or accompanying documents means that used electronic equipment must not be mixed with general household waste. For treatment, recovery and recycling please return this unit to your trade supplier or local designated collection point as defined by your local council.
WEE/CG0783SS

For more information on menu options and what they do see online tip 295 ▶▶▶

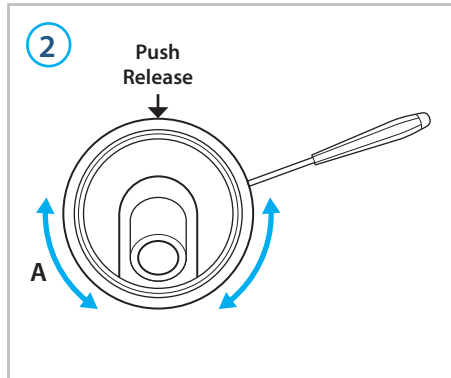


Removing The Housing

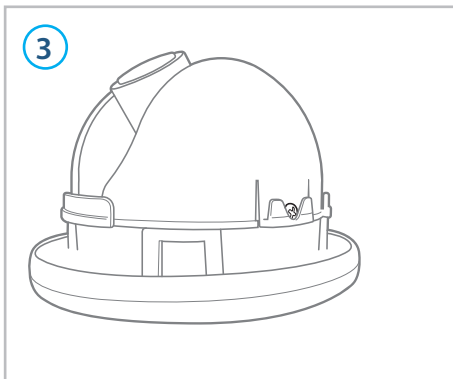
Before mounting or positioning the camera you will first need to remove the camera housing by following the 3 quick steps below.



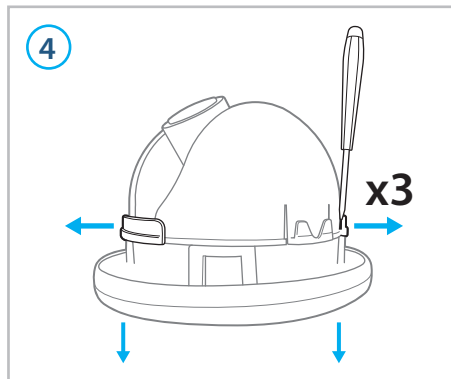
Press and hold in the push release and then gently pull the base away from the camera. This will produce a small gap between the base and the camera. **Do not attempt to pull the base off of the camera.**



Place the tip of a small slotted screwdriver into the gap and work your way around the camera releasing the two holding clips located at portions A and B. The top housing can then be removed from the base.

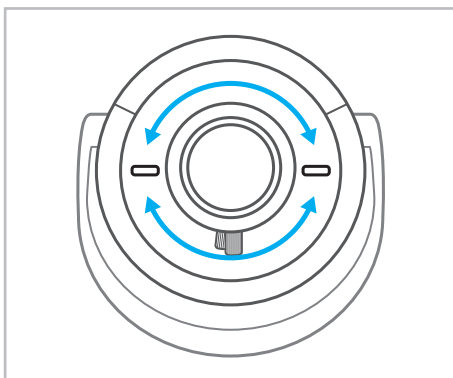


Remove the small screw from both sides of the black plastic dome.



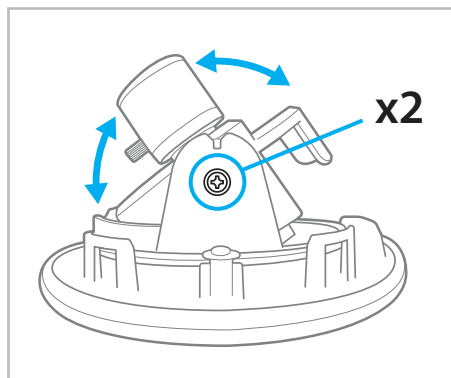
Finally, the black plastic dome now has 3 clips holding it in place. Use a small slotted screwdriver to force the clips outwards whilst gently pulling the dome away from the base.

Rotating The Lens Mount



There are 2 small tabs either side of the lens on the lens mount. Using these 2 tabs, rotate the lens mount as required.

Tilting The Lens Mount



Loosen the small screw on either side of the camera lens mount. Tilt the lens as required and then tighten the screws again to secure.

Features

- 2.8 - 12mm Vari-Focal Dome
- 2 Megapixel Lens
- 700 TVL
- 0.001 Lux
- Up the Co-ax OSD control
- RS485 OSD control
- Digital Wide Dynamic Range
- 12V DC
- Digital Noise Reduction

Specification

FUNCTION	SPECIFICATION
CCD	1/3" Sony Super HAD II
Resolution	700TVL
Lens	2.8 - 12mm Vari-Focal (2M Pixel)
Min. Illumination	0.001 Lux
Video Output	1v p ~ p, 75Ω
Video Connection	BNC
Power/Current	12vDC (± 10%) 90mA
Power Connection	2.1mm Socket
S/N Ratio	More than 52dB
Gain Control	Automatic
Operating Temp.	-10°C ~ +50°C
Dimensions	127mm(D) x 95mm(H)

Options Available

PART CODE	DESCRIPTION
CAM523W	Internal 700TVL Dome

Other Products To Consider



Internal 2.8-12mm Vari-focal 700TVL IR Dome Camera With WDR & UTC
CAM535UW



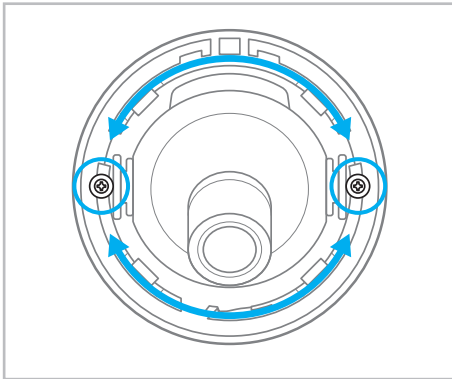
Up The Co-ax In-line Controller
REM088

All specifications are approximate. System Q Ltd reserves the right to change any product specifications or features without notice. Whilst every effort is made to ensure that these instructions are complete and accurate, System Q Ltd cannot be held responsible in any way for any losses, no matter how they arise, from errors or omissions in these instructions, or the performance or non-performance of the equipment that these instructions refer to.

This symbol on the products and/or accompanying documents means that used electronic equipment must not be mixed with general household waste. For treatment, recovery and recycling please return this unit to your trade supplier or local designated collection point as defined by your local council.

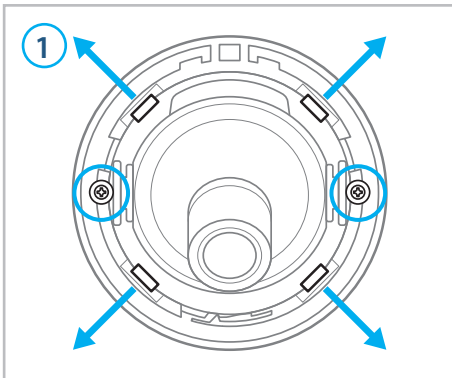
WEE/CG0783SS

Rotating The Camera Module

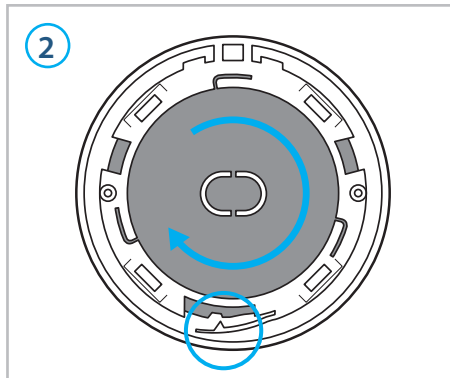


Looking from above the camera, loosen the screws either side of the camera module. Rotate the module as required then tighten the screws to secure.

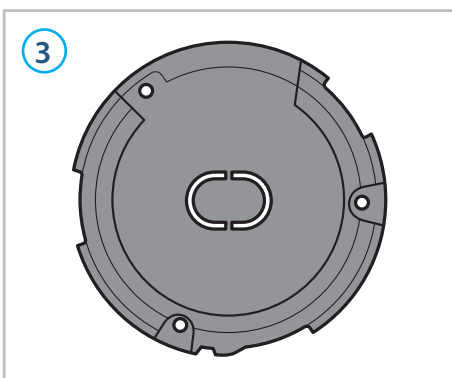
Mounting The Camera



Remove the 2 screws holding the camera module. Push the four clips which hold the camera module in place outwards whilst gently pulling the module away from the base.



Pull down the clip which secures the black mounting plate. Twist the mounting plate clockwise and remove from the base.



Once removed the mounting plate can be fixed to the mounting surface.

Note: Take care when mounting the camera to soft materials such as ceiling tiles. Applying too much pressure when reassembling the camera could damage the mounting surface.

Features

- 2.8 - 12mm Vari-Focal Dome
- 2 Megapixel Lens
- 700 TVL
- 0.001 Lux
- Up the Co-ax OSD control
- RS485 OSD control
- Digital Wide Dynamic Range
- 12V DC
- Digital Noise Reduction

Specification

FUNCTION	SPECIFICATION
CCD	1/3" Sony Super HAD II
Resolution	700TVL
Lens	2.8 - 12mm Vari-Focal (2M Pixel)
Min. Illumination	0.001 Lux
Video Output	1v p ~ p, 75Ω
Video Connection	BNC
Power/Current	12vDC (± 10%) 90mA
Power Connection	2.1mm Socket
S/N Ratio	More than 52dB
Gain Control	Automatic
Operating Temp.	-10°C ~ +50°C
Dimensions	127mm(D) x 95mm(H)

Options Available

PART CODE	DESCRIPTION
CAM523W	Internal 700TVL Dome

Other Products To Consider



Internal 2.8-12mm Vari-focal 700TVL IR Dome Camera With WDR & UTC
CAM535UW



Up The Co-ax In-line Controller
REM088

All specifications are approximate. System Q Ltd reserves the right to change any product specifications or features without notice. Whilst every effort is made to ensure that these instructions are complete and accurate, System Q Ltd cannot be held responsible in any way for any losses, no matter how they arise, from errors or omissions in these instructions, or the performance or non-performance of the equipment that these instructions refer to.

This symbol on the products and/or accompanying documents means that used electronic equipment must not be mixed with general household waste. For treatment, recovery and recycling please return this unit to your trade supplier or local designated collection point as defined by your local council.
WEE/CG0783SS



For more information on menu options and what they do see online tip 295 ▶▶▶

Powering The Camera

The dome requires a 12V DC regulated power supply and has a standard 2.1mm DC socket for connecting the power. It is recommended to use a power supply that is rated higher than the current consumption of the camera i.e. the current consumption is 90mA add approximately 30% so use a power supply of 150mA or above.

Accessing The Camera's Menu

The camera's menu system can be accessed and controlled in two ways. The first method is using the in-line joystick on the camera's video lead. The second method is to use an up the Co-ax controller which can be done whilst next to the DVR.

Up The Co-ax Menu Control

Up the Co-ax otherwise known as UTC is a method of controlling the cameras OSD using the Co-ax cable. This is achieved using a REM088 in-line controller. The big benefit of configuring a camera via UTC is that it can be done next to the DVR and monitor. The Co-ax cable carrying the camera's video is simply connected to the controller which is then connected to the DVR. Once the camera has been setup, the controller can be removed and the camera is then connected to the DVR as normal.

Menu Page 1

Menu Item	Options
LENS	AUTO / MANUAL AUTO: 1. TYPE: DC / VIDEO 3. SPEED: 0 - 255 2. MODE: AUTO / OPEN / CLOSE
SHUTTER/AGC	AUTO / MANUAL AUTO: HIGH LUMINANCE 1. MODE: SHUT+AUTO IRIS / AUTO IRIS 2. BRIGHTNESS: 0 - 255 LOW LUMINANCE 1. MODE: AGC / OFF 2. BRIGHTNESS: X0.25 - X1.00 MANUAL: 1. MODE: SHUT+AGC 3. AGC: 6.00 - 44.80 2. SHUTTER: 1/50 - 1/10000
WHITE BAL	ATW / PUSH / USER1 / USER2 / ANTI CR / MANUAL / PUSH LOCK ATW: 1. SPEED: 0 - 255 3. ATW FRAME: X0.50 - X2.00 2. DISPLAY CNT: 0- 255 4. ENVIRONMENT: INDOOR / OUTDOOR USER1: USER1 WB 1. B-GAIN: 0 - 255 2. R-GAIN: 0 - 255 USER2: USER2 WB 1. B-GAIN: 0 - 255 2. R-GAIN: 0 - 255 MANUAL: 1. LEVEL: 0-255
BACKLIGHT	OFF / BLC / HLC
PICT ADJUST	1. MIRROR: ON / OFF 5: HUE: 0 - 255 2. BRIGHTNESS: 0 - 255 6: GAIN: 0 - 255 3. CONTRAST: 0 - 255 7: DEFOG: OFF / LOW / MID / HIGH 4. SHARPNESS: 0 - 255

Menu page 1 continued on next page.

For more information on menu options and what they do see online tip 295 ▶▶▶



Features

- 2.8 - 12mm Vari-Focal Dome
- 2 Megapixel Lens
- 700 TVL
- 0.001 Lux
- Up the Co-ax OSD control
- RS485 OSD control
- Digital Wide Dynamic Range
- 12V DC
- Digital Noise Reduction

Specification

FUNCTION	SPECIFICATION
CCD	1/3" Sony Super HAD II
Resolution	700TVL
Lens	2.8 - 12mm Vari-Focal (2M Pixel)
Min. Illumination	0.001 Lux
Video Output	1v p ~ p, 75Ω
Video Connection	BNC
Power/Current	12vDC (± 10%) 90mA
Power Connection	2.1mm Socket
S/N Ratio	More than 52dB
Gain Control	Automatic
Operating Temp.	-10°C ~ +50°C
Dimensions	127mm(D) x 95mm(H)

Options Available

PART CODE	DESCRIPTION
CAM523W	Internal 700TVL Dome

Other Products To Consider



Internal 2.8-12mm Vari-focal 700TVL IR Dome Camera With WDR & UTC
CAM535UW



Up The Co-ax In-line Controller
REM088

All specifications are approximate. System Q Ltd reserves the right to change any product specifications or features without notice. Whilst every effort is made to ensure that these instructions are complete and accurate, System Q Ltd cannot be held responsible in any way for any losses, no matter how they arise, from errors or omissions in these instructions, or the performance or non-performance of the equipment that these instructions refer to.

This symbol on the products and/or accompanying documents means that used electronic equipment must not be mixed with general household waste. For treatment, recovery and recycling please return this unit to your trade supplier or local designated collection point as defined by your local council.
WEE/CG0783SS

Menu Page 1 Continued

Menu Item	Options
DWDR	ON / OFF ON: 1. LUMINANCE: LOW / MID / HIGH 2. CONTRAST: LOW / MID LOW / MID / MID HIGH / HIGH
MOTION DET	ON / OFF ON: 1. DETECT SENSE: 0 - 127 2. BLOCK DISP: ON / OFF / ENABLE ENABLE: SET EXCLUSION AREA, LONG PRESS TO SAVE AND EXIT 3. MOTION AREA: ON / OFF 4. AREA SEL: TOP: 0 - 288 BOTTOM: 0 - 288 LEFT: 0 - 468 RIGHT: 0 - 468
NEXT	DISPLAY MENU PAGE 2
SAVE ALL	SAVE ALL CURRENT SETTINGS
EXIT	EXIT MENU

Menu Page 2

Menu Item	Options
PRIVACY	ON / OFF ON: 1. AREA SEL: 1/4 - 4/4 TOP: 0 - 288 BOTTOM: 0 - 288 LEFT: 0 - 468 RIGHT: 0 - 468 2. COLOUR: 1 - 8 3. TRANSP: 0.00 - 1.00 4. MOSAIC: ON / OFF
DAY/NIGHT	EXT1 / EXT2 / AUTO / COLOUR / B/W AUTO: 1. BURST: ON / OFF 2. DELAY CNT: 0 - 255 3. DAY→NIGHT: 0 - 255 4. NIGHT→DAY: 0 - 255 B/W: 1. BURST: ON / OFF 2. SMART IR: ON / OFF 3. MODE: AUTO / CENTRE 4. LEVEL: 0 - 31
DNR	1. NR MODE: Y/C / OFF / Y / C Y: Y LEVEL: 0 - 15 YC: Y LEVEL: 0 - 15 C LEVEL: 0 - 15 2. Y: Y LEVEL: 0 - 15 3. C: C LEVEL: 0 - 15
CAMERA ID	ON / OFF ON: SET CAMERA'S ID (NAME) AND THE POSITION OF THE ID ON-SCREEN
SYNC	INT
LANGUAGE	ENGLISH / JAPANESE / GERMAN / FRENCH / RUSSIAN / PORTUGUESE / SPANISH / CHINESE
CAMERA RESET	RESET CAMERA TO FACTORY DEFAULTS
COMMUNICATION	1. PROTOCOL: PELCO-D 2. ADDRESS: 0 - 254 3. BAUDRATE: 2.40 / 4.80 / 9.60 / 19.20 / 38.40 / 57.60 / 115.20
BACK	BACK TO MENU PAGE 1
SAVE ALL	SAVE ALL CURRENT SETTINGS
EXIT	EXIT MENU

Features

- 2.8 - 12mm Vari-Focal Dome
- 2 Megapixel Lens
- 700 TVL
- 0.001 Lux
- Up the Co-ax OSD control
- RS485 OSD control
- Digital Wide Dynamic Range
- 12V DC
- Digital Noise Reduction

Specification

FUNCTION	SPECIFICATION
CCD	1/3" Sony Super HAD II
Resolution	700TVL
Lens	2.8 - 12mm Vari-Focal (2M Pixel)
Min. Illumination	0.001 Lux
Video Output	1v p ~ p, 75Ω
Video Connection	BNC
Power/Current	12vDC (± 10%) 90mA
Power Connection	2.1mm Socket
S/N Ratio	More than 52dB
Gain Control	Automatic
Operating Temp.	-10°C ~ +50°C
Dimensions	127mm(D) x 95mm(H)

Options Available

PART CODE	DESCRIPTION
CAM523W	Internal 700TVL Dome

Other Products To Consider



Internal 2.8-12mm Vari-focal 700TVL IR Dome Camera With WDR & UTC
CAM535UW



Up The Co-ax In-line Controller
REM088

For more information on menu options and what they do see online tip 295 ▶▶▶



All specifications are approximate. System Q Ltd reserves the right to change any product specifications or features without notice. Whilst every effort is made to ensure that these instructions are complete and accurate, System Q Ltd cannot be held responsible in any way for any losses, no matter how they arise, from errors or omissions in these instructions, or the performance or non-performance of the equipment that these instructions refer to.

This symbol on the products and/or accompanying documents means that used electronic equipment must not be mixed with general household waste. For treatment, recovery and recycling please return this unit to your trade supplier or local designated collection point as defined by your local council.
WEE/CG0783SS

Fault Finding

The table below describes common problems and possible solutions.

Fault	Possible Cause	Possible Solution
Interference On The Camera Picture	Poor or inadequate cabling or an unregulated or poorly regulated power supply.	Make sure you are using a regulated 12V DC power supply.
No Picture	The camera cannot function without the correct working power supply.	<p>Step 1 Test that the camera has the correct voltage supplying it, you must do this with the camera connected so that there is load on the PSU. The camera should have at least 10.5V DC connected to it.</p> <p>Step 2 Check there is and image at the camera end with a test monitor. If there is a picture here but not at the DVR it could be one of the following:</p> <p>A. Video loss in Composite cable as run too long usually you would get a picture up to around 120mtrs (Remedied by fitting a video amp).</p> <p>B. Ensure that the BNC - BNC lead that you connect between the camera and monitor has no shorts or open circuits. If you are making your own lead, don't forget the lead must have two wires connected to complete the circuit, Video and Ground.</p> <p>C. No Video signal down CAT5 or CAT5+2. Check you have used a "pair of cores" not individual cores from different pairs.</p>
One Camera Picture Overlaid On Another Using CAT5	Camera cores and pairs mixed up.	Check you have used a "pair of cores" not individual cores from different pairs.
The Picture's Colour Changes Constantly	Fluorescent lighting emits an electromagnetic field which can cause colour roll.	Move the camera further away from any fluorescent lighting.

Features

- 2.8 - 12mm Vari-Focal Dome
- 2 Megapixel Lens
- 700 TVL
- 0.001 Lux
- Up the Co-ax OSD control
- RS485 OSD control
- Digital Wide Dynamic Range
- 12V DC
- Digital Noise Reduction

Specification

FUNCTION	SPECIFICATION
CCD	1/3" Sony Super HAD II
Resolution	700TVL
Lens	2.8 - 12mm Vari-Focal (2M Pixel)
Min. Illumination	0.001 Lux
Video Output	1v p ~ p, 75Ω
Video Connection	BNC
Power/Current	12vDC (± 10%) 90mA
Power Connection	2.1mm Socket
S/N Ratio	More than 52dB
Gain Control	Automatic
Operating Temp.	-10°C ~ +50°C
Dimensions	127mm(D) x 95mm(H)

Options Available

PART CODE	DESCRIPTION
CAM523W	Internal 700TVL Dome

Other Products To Consider



Internal 2.8-12mm Vari-focal 700TVL IR Dome Camera With WDR & UTC
CAM535UW



Up The Co-ax In-line Controller
REM088

All specifications are approximate. System Q Ltd reserves the right to change any product specifications or features without notice. Whilst every effort is made to ensure that these instructions are complete and accurate, System Q Ltd cannot be held responsible in any way for any losses, no matter how they arise, from errors or omissions in these instructions, or the performance or non-performance of the equipment that these instructions refer to.

This symbol on the products and/or accompanying documents means that used electronic equipment must not be mixed with general household waste. For treatment, recovery and recycling please return this unit to your trade supplier or local designated collection point as defined by your local council.

WEE/CG0783SS



For more information on menu options and what they do see online tip 295 ▶▶▶