

Features

- 2.8 - 12mm Vari-Focal Dome
- 2 Megapixel Lens
- 720 TVL
- 21 IR LEDs
- 20m IR Range
- Up the Co-ax OSD control
- RS485 OSD control
- Real Wide Dynamic Range
- 12V DC

Specification

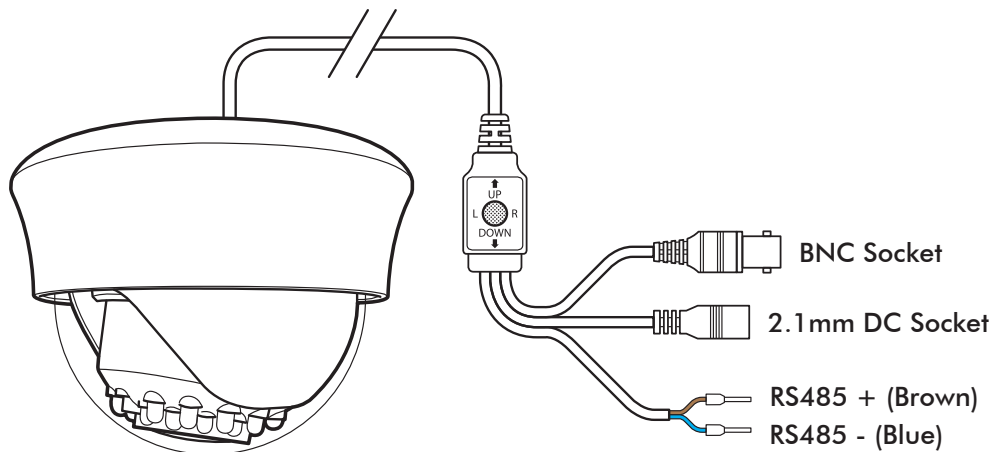
FUNCTION	SPECIFICATION
CCD	1/3" Sony Super HAD II
Resolution	720TVL
Lens	2.8 - 12mm Vari-Focal (2M Pixel)
Min. Illumination	0.001 Lux
IR LEDs	21
IR Range	20m
Video Output	1v p ~ p, 75Ω
Video Connection	BNC
Power/Current	12V DC (± 10%) 90mA
Power Connection	2.1mm Socket
S/N Ratio	More than 52dB
Gain Control	Automatic
Operating Temp.	-10°C ~ +50°C
Dimensions	Ø127mm x 95mm(H)

Internal Vari-Focal IR Dome Real WDR, UTC & RS485

Internal dome camera fitted with a 2.8-12mm 2 mega pixel lens captures high resolution 720TVL images in light levels as low as 0.001 Lux. The CAM536UW continues to capture clear images at night thanks to its 21 IR LEDs giving a 20m IR range. This impressive dome camera also features real wide dynamic range, up the co-ax telemetry, on screen display and digital noise reduction. Ideal for shops and stock rooms.

Connecting The Camera

The CAM536UW comes with moulded connections for video, power and RS485 data. There is a BNC socket for connecting the video, a 2.1mm DC socket for connecting the power and 2 small wires for an RS485 connection. **Note** - the RS485 wires are polarity sensitive and must be connected as shown below.



Options Available

PART CODE	DESCRIPTION
CAM536UW	Internal 720TVL IR Dome

Other Products To Consider



Internal 2.8-12mm Vari-focal 720TVL Dome Camera With WDR, UTC & RS485
CAM526UW



Up The Co-ax In-line Controller
REM088

All specifications are approximate. System Q Ltd reserves the right to change any product specifications or features without notice. Whilst every effort is made to ensure that these instructions are complete and accurate, System Q Ltd cannot be held responsible in any way for any losses, no matter how they arise, from errors or omissions in these instructions, or the performance or non-performance of the equipment that these instructions refer to.

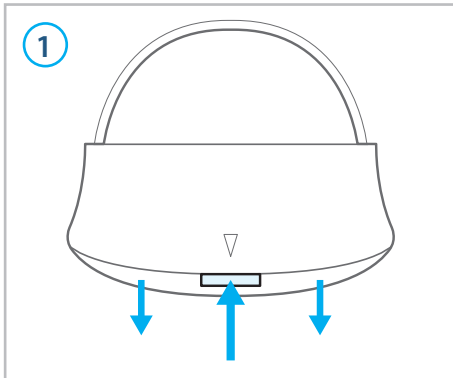
This symbol on the products and/or accompanying documents means that used electronic equipment must not be mixed with general household waste. For treatment, recovery and recycling please return this unit to your trade supplier or local designated collection point as defined by your local council.
WEE/CG07833S

For more information on menu options and what they do see online tip 295 ▶▶▶

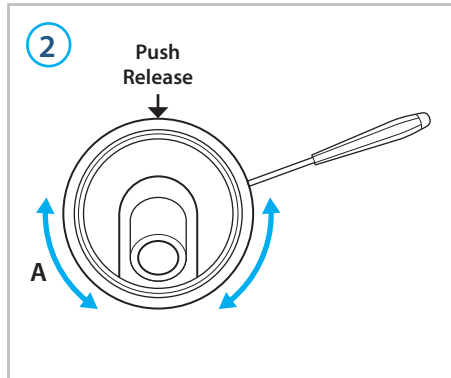


Removing The Housing

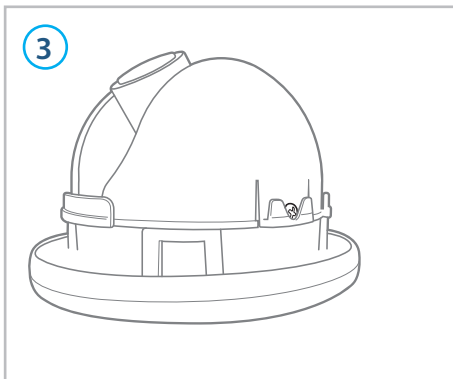
Before mounting or positioning the camera you will first need to remove the camera housing by following the 3 quick steps below.



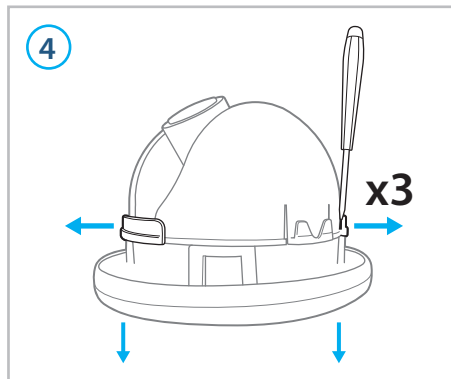
Press and hold in the push release and then gently pull the base away from the camera. This will produce a small gap between the base and the camera. **Do not attempt to pull the base off of the camera.**



Place the tip of a small slotted screwdriver into the gap and work your way around the camera releasing the two holding clips located at potions A and B. The top housing can then be removed from the base.

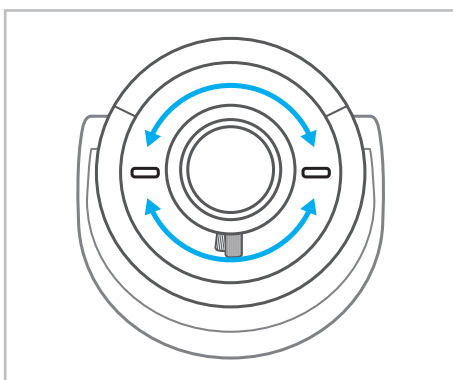


Remove the small screw from both sides of the black plastic dome.



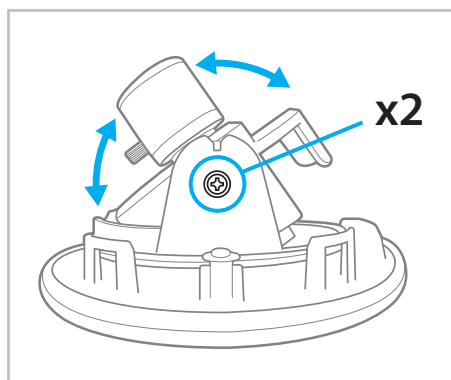
Finally, the black plastic dome now has 3 clips holding it in place. Use a small slotted screwdriver to force the clips outwards whilst gently pulling the dome away from the base.

Rotating The Lens Mount



There are 2 small tabs either side of the lens on the lens mount. Using these 2 tabs, rotate the lens mount as required.

Tilting The Lens Mount



Loosen the small screw on either side of the camera lens mount. Tilt the lens as required and then tighten the screws again to secure.

Features

- 2.8 - 12mm Vari-Focal Dome
- 2 Megapixel Lens
- 720 TVL
- 21 IR LEDs
- 20m IR Range
- Up the Co-ax OSD control
- RS485 OSD control
- Real Wide Dynamic Range
- 12V DC

Specification

FUNCTION	SPECIFICATION
CCD	1/3" Sony Super HAD II
Resolution	720TVL
Lens	2.8 - 12mm Vari-Focal (2M Pixel)
Min. Illumination	0.001 Lux
IR LEDs	21
IR Range	20m
Video Output	1v p ~ p, 75Ω
Video Connection	BNC
Power/Current	12V DC (± 10%) 90mA
Power Connection	2.1mm Socket
S/N Ratio	More than 52dB
Gain Control	Automatic
Operating Temp.	-10°C ~ +50°C
Dimensions	Ø127mm x 95mm(H)

Options Available

PART CODE	DESCRIPTION
CAM536UW	Internal 720TVL IR Dome

Other Products To Consider



Internal 2.8-12mm Vari-focal 720TVL Dome Camera With WDR, UTC & RS485
CAM526UW

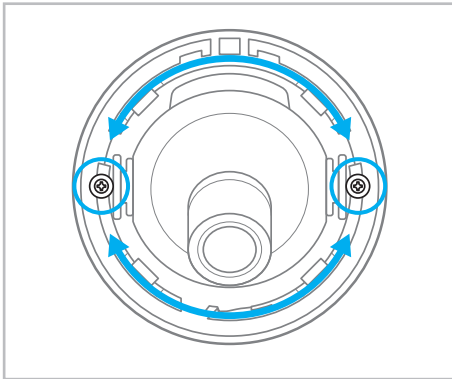


Up The Co-ax In-line Controller
REM088

All specifications are approximate. System Q Ltd reserves the right to change any product specifications or features without notice. Whilst every effort is made to ensure that these instructions are complete and accurate, System Q Ltd cannot be held responsible in any way for any losses, no matter how they arise, from errors or omissions in these instructions, or the performance or non-performance of the equipment that these instructions refer to.

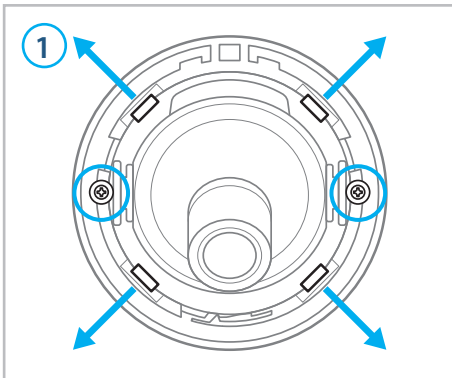
This symbol on the products and/or accompanying documents means that used electronic equipment must not be mixed with general household waste. For treatment, recovery and recycling please return this unit to your trade supplier or local designated collection point as defined by your local council.
WEE/CG0783SS

Rotating The Camera Module

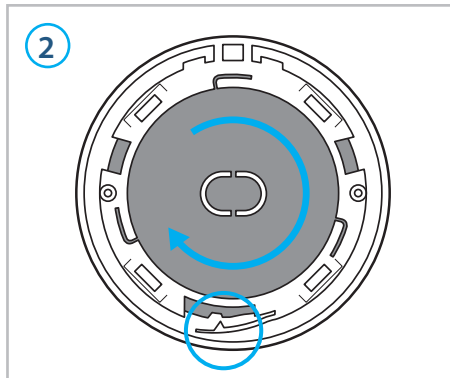


Looking from above the camera, loosen the screws either side of the camera module. Rotate the module as required then tighten the screws to secure.

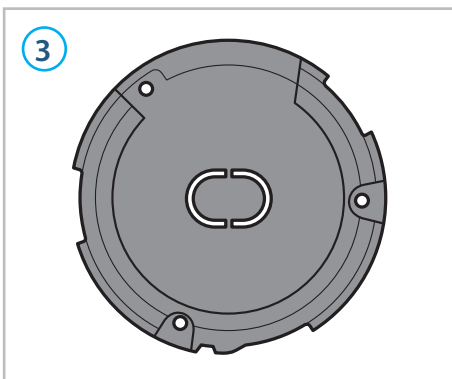
Mounting The Camera



Remove the 2 screws holding the camera module. Push the four clips which hold the camera module in place outwards whilst gently pulling the module away from the base.



Pull down the clip which secures the black mounting plate. Twist the mounting plate clockwise and remove from the base.



Once removed the mounting plate can be fixed to the mounting surface.

Note: Take care when mounting the camera to soft materials such as ceiling tiles. Applying too much pressure when reassembling the camera could damage the mounting surface.

Features

- 2.8 - 12mm Vari-Focal Dome
- 2 Megapixel Lens
- 720 TVL
- 21 IR LEDs
- 20m IR Range
- Up the Co-ax OSD control
- RS485 OSD control
- Real Wide Dynamic Range
- 12V DC

Specification

FUNCTION	SPECIFICATION
CCD	1/3" Sony Super HAD II
Resolution	720TVL
Lens	2.8 - 12mm Vari-Focal (2M Pixel)
Min. Illumination	0.001 Lux
IR LEDs	21
IR Range	20m
Video Output	1v p ~ p, 75Ω
Video Connection	BNC
Power/Current	12V DC (± 10%) 90mA
Power Connection	2.1mm Socket
S/N Ratio	More than 52dB
Gain Control	Automatic
Operating Temp.	-10°C ~ +50°C
Dimensions	Ø127mm x 95mm(H)

Options Available

PART CODE	DESCRIPTION
CAM536UW	Internal 720TVL IR Dome

Other Products To Consider



Internal 2.8-12mm Vari-focal 720TVL Dome Camera With WDR, UTC & RS485
CAM526UW



Up The Co-ax In-line Controller
REM088

All specifications are approximate. System Q Ltd reserves the right to change any product specifications or features without notice. Whilst every effort is made to ensure that these instructions are complete and accurate, System Q Ltd cannot be held responsible in any way for any losses, no matter how they arise, from errors or omissions in these instructions, or the performance or non-performance of the equipment that these instructions refer to.

This symbol on the products and/or accompanying documents means that used electronic equipment must not be mixed with general household waste. For treatment, recovery and recycling please return this unit to your trade supplier or local designated collection point as defined by your local council.
WEE/CG0783SS



For more information on menu options and what they do see online tip 295 ▶▶▶

Powering The Camera

The dome requires a 12V DC regulated power supply and has a standard 2.1mm DC socket for connecting the power. It is recommended to use a power supply that is rated higher than the current consumption of the camera i.e. the current consumption is 350mA add approximately 30% so use a power supply of 500mA or above.

Accessing The Camera's Menu

The camera's menu system can be accessed and controlled in three ways. The first method is using the in-line joystick on the camera's video lead. The second method is to use an up the Co-ax controller which can be done whilst next to the DVR. The third method is to use RS485 control equipment such as a keyboard or DVR.

Up The Co-ax Menu Control

Up the Co-ax otherwise known as UTC is a method of controlling the cameras OSD using the Co-ax cable. This is achieved using a REM088 in-line controller. The big benefit of configuring a camera via UTC is that it can be done next to the DVR and monitor. The Co-ax cable carrying the camera's video is simply connected to the controller which is then connected to the DVR. Once the camera has been setup, the controller can be removed and the camera is then connected to the DVR as normal.

OSD Menu (Press left or right to switch to menu page 2)

MENU ITEM	SUB MENU	SUB MENU OPTIONS
(FULL AUTO / INDOOR / OUTDOOR / BACKLIGHT / ITS / CUSTOM)	SHUTTER AGC	AUTO / MANUAL / FIX AUTO: AE LEVEL: 01~250 AGC MAX: 6~44.8DB SENS UP: OFF / AUTO MANUAL: SHUTTER: 256FLD~1/10000DB AGC MAX: 6~44.8DB FIX: SHUTTER: 256FLD~1/10000DB AGC: 6~44.8DB
	WHITE BAL	ATW / PUSH / USER1 / USER2 / MANUAL / PUSH LOCK (DEPENDANT ON SCENE) ATW: SPEED: 000~255 DELAY CNT: 001~255 ATW FRAME: 001~255 ENVIRONMENT: AUTO / INDOOR / SUNNY / SHADE USER1: B-GAIN: 0~255 R-GAIN: 0~255 USER2: B-GAIN: 0~255 R-GAIN: 0~255 MANUAL: LEVEL: 00~63
	HLC/BLC	OFF / HLC / BLC HLC: CLIP LEVEL: 000~255
	WDR/ATR-EX	ON: CONTRAST: LOW / MID / HIGH CLEAR FACE: OFF / LOW / MID / HIGH
	DNR	LEVEL: 0~6

Features

- 2.8 - 12mm Vari-Focal Dome
- 2 Megapixel Lens
- 720 TVL
- 21 IR LEDs
- 20m IR Range
- Up the Co-ax OSD control
- RS485 OSD control
- Real Wide Dynamic Range
- 12V DC

Specification

FUNCTION	SPECIFICATION
CCD	1/3" Sony Super HAD II
Resolution	720TVL
Lens	2.8 - 12mm Vari-Focal (2M Pixel)
Min. Illumination	0.001 Lux
IR LEDs	21
IR Range	20m
Video Output	1v p ~ p, 75Ω
Video Connection	BNC
Power/Current	12V DC (± 10%) 90mA
Power Connection	2.1mm Socket
S/N Ratio	More than 52dB
Gain Control	Automatic
Operating Temp.	-10°C ~ +50°C
Dimensions	Ø127mm x 95mm(H)

Options Available

PART CODE	DESCRIPTION
CAM536UW	Internal 720TVL IR Dome

Other Products To Consider



Internal 2.8-12mm Vari-focal 720TVL Dome Camera With WDR, UTC & RS485
CAM526UW



Up The Co-ax In-line Controller
REM088

All specifications are approximate. System Q Ltd reserves the right to change any product specifications or features without notice. Whilst every effort is made to ensure that these instructions are complete and accurate, System Q Ltd cannot be held responsible in any way for any losses, no matter how they arise, from errors or omissions in these instructions, or the performance or non-performance of the equipment that these instructions refer to.

This symbol on the products and/or accompanying documents means that used electronic equipment must not be mixed with general household waste. For treatment, recovery and recycling please return this unit to your trade supplier or local designated collection point as defined by your local council.
WEE/CG07833S

For more information on menu options and what they do see online tip 295 ▶▶▶



OSD Menu Continued

MENU ITEM	SUB MENU	SUB MENU OPTIONS
SCENE SELECT CONTINUED	DAY/NIGHT	AUTO / DAY / NIGHT AUTO: BURST: OFF/ON CNTL SIGNAL: INT / EXT1 / EXT2 DELAY INT: 000~255 DAY→NIGHT: 000~255 NIGHT→DAY: 024~255 NIGHT: BURST: OFF/ON
	IR OPTIMIZER	OFF / ON ON: MODE: AUTO IR AREA: ---- LEVEL: 0~12 IR LED: DAY/NIGHT / OFF / FIX DAY/NIGHT: LEVEL MIN: 001~255 LEVEL MAX: 001~255 FIX: LEVEL: 000~255 COLOUR NIGHT: ON / OFF ON: COLOUR GAIN: LOW / MID / HIGH IR SHADE COMP: ON / OFF ON: PATTERN: SET1 / SET2 / SET3 POSH: 000~959 POSV: 000~578 LEVEL: OFF / LOW / MID / HIGH
	LENS SHD COMP	ON / OFF ON: PATTERN: SET1 / SET2 / SET3 POSH: 000~959 POSV: 000~578 LEVEL: OFF / LOW / MID / HIGH
	DEFOG	ON / OFF (DEPENDANT ON SCENE) ON: LEVEL: LOW / MID / HIGH
	FLK LESS	AUTO / ON / OFF AUTO: MODE: SHUTTER FIX / GAIN CNTL ON: MODE: SHUTTER FIX / GAIN CNTL
	ANTI CR	AUTO / ON / OFF
PIC ADJUST		BRIGHTNESS: 000~255 CONTRAST: 00~63 SHARPNESS: 00~15 HUE: 000~127 COLOUR GAIN: 000~255
E-ZOOM		ON / OFF ON: MAG: 000~255 PAN: 512 TILT: 256
DIS		ON / OFF

Features

- 2.8 - 12mm Vari-Focal Dome
- 2 Megapixel Lens
- 720 TVL
- 21 IR LEDs
- 20m IR Range
- Up the Co-ax OSD control
- RS485 OSD control
- Real Wide Dynamic Range
- 12V DC

Specification

FUNCTION	SPECIFICATION
CCD	1/3" Sony Super HAD II
Resolution	720TVL
Lens	2.8 - 12mm Vari-Focal (2M Pixel)
Min. Illumination	0.001 Lux
IR LEDs	21
IR Range	20m
Video Output	1v p ~ p, 75Ω
Video Connection	BNC
Power/Current	12V DC (± 10%) 90mA
Power Connection	2.1mm Socket
S/N Ratio	More than 52dB
Gain Control	Automatic
Operating Temp.	-10°C ~ +50°C
Dimensions	Ø127mm x 95mm(H)

Options Available

PART CODE	DESCRIPTION
CAM536UW	Internal 720TVL IR Dome

Other Products To Consider



Internal 2.8-12mm Vari-focal 720TVL Dome Camera With WDR, UTC & RS485
CAM526UW



Up The Co-ax In-line Controller
REM088

All specifications are approximate. System Q Ltd reserves the right to change any product specifications or features without notice. Whilst every effort is made to ensure that these instructions are complete and accurate, System Q Ltd cannot be held responsible in any way for any losses, no matter how they arise, from errors or omissions in these instructions, or the performance or non-performance of the equipment that these instructions refer to.

This symbol on the products and/or accompanying documents means that used electronic equipment must not be mixed with general household waste. For treatment, recovery and recycling please return this unit to your trade supplier or local designated collection point as defined by your local council.
WEE/CG0783SS

For more information on menu options and what they do see online tip 295 ▶▶▶



OSD Menu Continued

MENU ITEM	SUB MENU	SUB MENU OPTIONS
PRIVACY MASK		AREA SEL: 1~15 DISPLAY: ON / OFF POSITION: EDIT POSITION & SHAPE OF MASK COLOUR: RED / GREEN / BLUE / YELLOW / CYAN / MAGENTA / WHITE / BLACK TRANSP: 0.00~1.00 MOSAIC: ON / OFF (TRANSP MUST BE SET TO 0.00)
MOTION DET		ON / OFF ON: DETECT SENSE: 000~127 INTERVAL: 000~127 BLOCK DISP: ON / OFF MASK AREA: EDIT MASK AREA (EXCLUSION ZONE) MOTION AREA: AREA SEL: 1~4 AREA MODE: ON / OFF TOP: 00~15 BOTTOM: 00~15 LEFT: 00~23 RIGHT: 00~23
SYS SETTINGS	SYNC MODE	INT
	LENS	MANUAL / AUTO
		AUTO: TYPE: DC / VIDEO MODE: AUTO / OPEN / CLOSE ADJUST: AUTO IRIS ADJUSTMENT SPEED: 000~255
	FLIP	OFF / V / H / HV
	LCD/CRT	LCD / CRT
	COMMUNICATION	PROTOCOL: PELCO-D ADDRESS: 001~255 BAUDRATE: 2400~115200 DATA BIT: 8BIT PARITY: OFF / ODD / EVEN STOP BIT: 1BIT
CAMERA ID	ON / OFF	
	ON: NAME CAMERA OR EDIT CAMERA NAME	
LANGUAGE		ENGLISH / SPANISH / RUSSIAN / PORTUGUESE / GERMAN / FRENCH / CHINESE / JAPANESE
VERSION		FIRMWARE VERSION
MAINTENANCE	IN PIX MASK (PIXEL MANAGEMENT)	MANUAL / AUTO / DATA CLEAR
		MANUAL: REGISTRATION: SET REGISTRATION FOR DEAD PIXELS REG POINT: OFF / WHITE / BLACK CURSOR COLOUR: WHITE / BLACK / RED / GREEN / BLUE BLINK: OFF / ON REG NUMBER: DISPLAYS REG NUMBER AUTO: LEVEL 1: 000~255 LEVEL 2: 000~255 AUTO: RUN / BACK
	CAMERA RESET	CAMERA RESET / BACK
EXIT		SAVE / NOT SAVE / CANCEL / BACK

Features

- 2.8 - 12mm Vari-Focal Dome
- 2 Megapixel Lens
- 720 TVL
- 21 IR LEDs
- 20m IR Range
- Up the Co-ax OSD control
- RS485 OSD control
- Real Wide Dynamic Range
- 12V DC

Specification

FUNCTION	SPECIFICATION
CCD	1/3" Sony Super HAD II
Resolution	720TVL
Lens	2.8 - 12mm Vari-Focal (2M Pixel)
Min. Illumination	0.001 Lux
IR LEDs	21
IR Range	20m
Video Output	1v p ~ p, 75Ω
Video Connection	BNC
Power/Current	12V DC (± 10%) 90mA
Power Connection	2.1mm Socket
S/N Ratio	More than 52dB
Gain Control	Automatic
Operating Temp.	-10°C ~ +50°C
Dimensions	Ø127mm x 95mm(H)

Options Available

PART CODE	DESCRIPTION
CAM536UW	Internal 720TVL IR Dome

Other Products To Consider



Internal 2.8-12mm Vari-focal 720TVL Dome Camera With WDR, UTC & RS485
CAM526UW



Up The Co-ax In-line Controller
REM088

All specifications are approximate. System Q Ltd reserves the right to change any product specifications or features without notice. Whilst every effort is made to ensure that these instructions are complete and accurate, System Q Ltd cannot be held responsible in any way for any losses, no matter how they arise, from errors or omissions in these instructions, or the performance or non-performance of the equipment that these instructions refer to.

This symbol on the products and/or accompanying documents means that used electronic equipment must not be mixed with general household waste. For treatment, recovery and recycling please return this unit to your trade supplier or local designated collection point as defined by your local council.
WEE/CG0783SS



For more information on menu options and what they do see online tip 295 ▶▶▶

Fault Finding

The table below describes common problems and possible solutions.

Fault	Possible Cause	Possible Solution
Interference On The Camera Picture	Poor or inadequate cabling or an unregulated or poorly regulated power supply.	Make sure you are using a regulated 12V DC power supply.
No Picture	The camera cannot function without the correct working power supply.	<p>Step 1 Test that the camera has the correct voltage supplying it, you must do this with the camera connected so that there is load on the PSU. The camera should have at least 10.5V DC connected to it.</p> <p>Step 2 Check there is and image at the camera end with a test monitor. If there is a picture here but not at the DVR it could be one of the following:</p> <p>A. Video loss in Composite cable as run too long usually you would get a picture up to around 120mtrs (Remedied by fitting a video amp).</p> <p>B. Ensure that the BNC - BNC lead that you connect between the camera and monitor has no shorts or open circuits. If you are making your own lead, don't forget the lead must have two wires connected to complete the circuit, Video and Ground.</p> <p>C. No Video signal down CAT5 or CAT5+2. Check you have used a "pair of cores" not individual cores from different pairs.</p>
One Camera Picture Overlaid On Another Using CAT5	Camera cores and pairs mixed up.	Check you have used a "pair of cores" not individual cores from different pairs.
The Picture's Colour Changes Constantly	Fluorescent lighting emits an electromagnetic field which can cause colour roll.	Move the camera further away from any fluorescent lighting.

Features

- 2.8 - 12mm Vari-Focal Dome
- 2 Megapixel Lens
- 720 TVL
- 21 IR LEDs
- 20m IR Range
- Up the Co-ax OSD control
- RS485 OSD control
- Real Wide Dynamic Range
- 12V DC

Specification

FUNCTION	SPECIFICATION
CCD	1/3" Sony Super HAD II
Resolution	720TVL
Lens	2.8 - 12mm Vari-Focal (2M Pixel)
Min. Illumination	0.001 Lux
IR LEDs	21
IR Range	20m
Video Output	1v p ~ p, 75Ω
Video Connection	BNC
Power/Current	12V DC (± 10%) 90mA
Power Connection	2.1mm Socket
S/N Ratio	More than 52dB
Gain Control	Automatic
Operating Temp.	-10°C ~ +50°C
Dimensions	Ø127mm x 95mm(H)

Options Available

PART CODE	DESCRIPTION
CAM536UW	Internal 720TVL IR Dome

Other Products To Consider



Internal 2.8-12mm Vari-focal 720TVL Dome Camera With WDR, UTC & RS485
CAM526UW



Up The Co-ax In-line Controller
REM088

All specifications are approximate. System Q Ltd reserves the right to change any product specifications or features without notice. Whilst every effort is made to ensure that these instructions are complete and accurate, System Q Ltd cannot be held responsible in any way for any losses, no matter how they arise, from errors or omissions in these instructions, or the performance or non-performance of the equipment that these instructions refer to.

This symbol on the products and/or accompanying documents means that used electronic equipment must not be mixed with general household waste. For treatment, recovery and recycling please return this unit to your trade supplier or local designated collection point as defined by your local council.
WEE/CG0783SS



For more information on menu options and what they do see online tip 295 ▶▶▶