



Choice of colours suits most environments

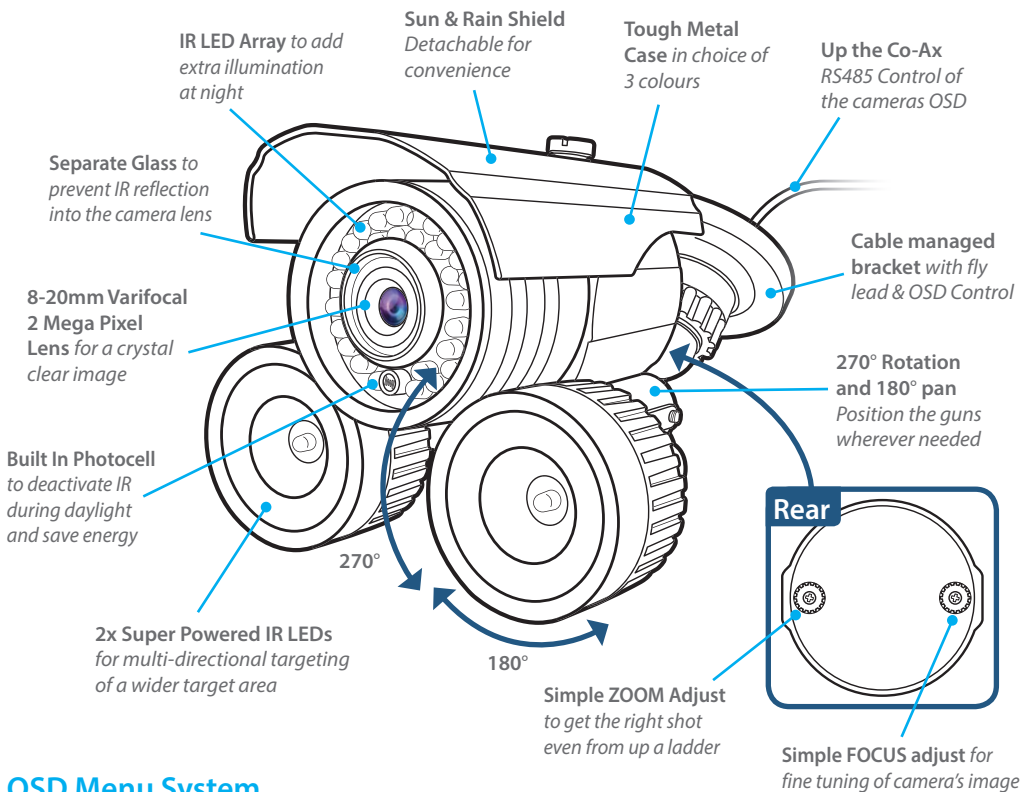
The GEM range of CCTV cameras represent great performance at great value. Anti-vandal IR camera with two additional high power "IR guns" helping the camera see up to an impressive 80m.

- External or Internal Use
- Cable Managed Bracket
- Wide Dynamic for Day-Night use
- 2 Directional IR Guns
- Tough Metal Case
- Up the CO-AX OSD control

& Digital Zoom, Privacy Masking, Motion Detect and more!



CAM892U - Key Features & OSD Menu



OSD Menu System

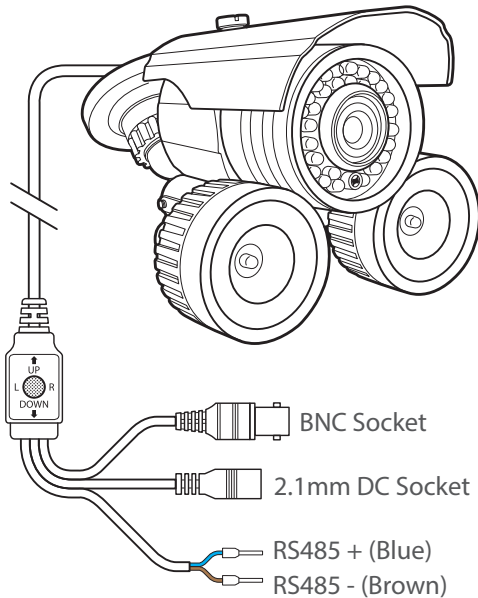
MENU ITEM	SUB MENU	SUB MENU OPTIONS
SCENE SELECT (FULL AUTO / INDOOR / OUTDOOR / BACKLIGHT / ITS / CUSTOM)	SHUTTER AGC	AUTO / MANUAL / FIX AUTO: 1. AE LEVEL: 01~250 3. SENS UP: OFF / AUTO 2. AGC MAX: 6~44.8DB MANUAL: 1. SHUTTER: 256FLD~1/10000DB 2. AGC MAX: 6~44.8DB FIX: 1. SHUTTER: 256FLD~1/10000DB 2. AGC: 6~44.8DB
	WHITE BAL	ATW / PUSH / USER1 / USER2 / MANUAL / PUSH LOCK (DEPENDANT ON SCENE) ATW: 1. SPEED: 000~255 4. ENVIRONMENT: AUTO / INDOOR / SUNNY / SHADE 2. DELAY CNT: 001~255 3. ATW FRAME: 001~255 USER1: 1. B-GAIN: 0~255 2. R-GAIN: 0~255 USER2: 1. B-GAIN: 0~255 2. R-GAIN: 0~255 MANUAL: 1. LEVEL: 00~63
	HLC/BLC	OFF / HLC / BLC HLC: 1. CLIP LEVEL: 000~255
	WDR/ATR-EX	ON: 1. CONTRAST: LOW / MID / HIGH 2. CLEAR FACE: OFF / LOW / MID / HIGH
	DNR	1. LEVEL: 0~6
DAY/NIGHT	AUTO / DAY / NIGHT	AUTO: 1. BURST: OFF/ON 4. DAY→NIGHT: 000~255 2. CNTL SIGNAL: INT / EXT1 / EXT2 5. NIGHT→DAY: 024~255 3. DELAY INT: 000~255 NIGHT: 1. BURST: OFF/ON

For a full glossary of terms, please see our wide range of on-line tips & advice guides

MENU ITEM	SUB MENU	SUB MENU OPTIONS
SCENE SELECT	IR OPTIMIZER	OFF / ON ON: 1. MODE: AUTO 2. IR AREA: ---- 3. LEVEL: 0~12 4. IR LED: DAY/NIGHT / OFF / FIX DAY/NIGHT: LEVEL MIN: 001~255 LEVEL MAX: 001~255 FIX: LEVEL: 000~255 5. COLOUR NIGHT: ON / OFF ON: COLOUR GAIN: LOW / MID / HIGH 6. IR SHADE COMP: ON / OFF ON: PATTERN: SET1 / SET2 / SET3 POSH: 000~959 POSV: 000~578 LEVEL: OFF / LOW / MID / HIGH
	LENS SHD COMP	ON / OFF ON: 1. PATTERN: SET1 / SET2 / SET3 2. POSH: 000~959 3. POSV: 000~578 4. LEVEL: OFF / LOW / MID / HIGH
	DEFOG	ON / OFF (DEPENDANT ON SCENE) ON: 1. LEVEL: LOW / MID / HIGH
	FLK LESS	AUTO / ON / OFF AUTO: 1. MODE: SHUTTER FIX / GAIN CNTL ON: 1. MODE: SHUTTER FIX / GAIN CNTL
	ANTI CR	AUTO / ON / OFF
PIC ADJUST		1. BRIGHTNESS: 000~255 2. CONTRAST: 00~63 3. SHARPNESS: 00~15 4. HUE: 000~127 5. COLOUR GAIN: 000~255
E-ZOOM		ON / OFF ON: 1. MAG: 000~255 2. PAN: 512 3. TILT: 256
DIS		ON / OFF
PRIVACY MASK		1. AREA SEL: 1~15 2. DISPLAY: ON / OFF 3. POSITION: EDIT POSITION & SHAPE OF MASK 4. COLOUR: RED / GREEN / BLUE / YELLOW / CYAN / MAGENTA / WHITE / BLACK 5. TRANSP: 0.00~1.00 6. MOSAIC: ON / OFF (SET TRANSP TO 0.00)
MOTION DET		ON / OFF ON: 1. DETECT SENSE: 000~127 2. INTERVAL: 000~127 3. BLOCK DISP: ON / OFF 4. MASK AREA: SET EXCEPTION ZONE 5. MOTION AREA: AREA SEL: 1~4 AREA MODE: ON / OFF TOP: 00~15 BOTTOM: 00~15 LEFT: 00~23 RIGHT: 00~23
SYS SETTINGS	SYNC MODE	1. INT
	LENS	MANUAL / AUTO AUTO: 1. TYPE: DC / VIDEO 2. MODE: AUTO / OPEN / CLOSE 3. ADJUST: AUTO IRIS ADJUSTMENT 4. SPEED: 000~255
	FLIP	1. OFF / V / H / HV
	LCD/CRT	1. LCD / CRT
	COMMUNICATION	1. PROTOCOL: PELCO-D 2. ADDRESS: 001~255 3. BAUDRATE: 2400~115200 4. DATA BIT: 8BIT 5. PARITY: OFF / ODD / EVEN 6. STOP BIT: 1BIT
	CAMERA ID	ON / OFF 1. ON: NAME CAMERA OR EDIT CAMERA NAME
LANGUAGE		ENGLISH / SPANISH / RUSSIAN / PORTUGUESE / GERMAN / FRENCH / CHINESE / JAPANESE
VERSION		FIRMWARE VERSION
MAINTENANCE	IN PIX MASK (PIXEL MANAGEMENT)	MANUAL / AUTO / DATA CLEAR MANUAL: 1. REGISTRATION: SET REGISTRATION FOR DEAD PIXELS 2. REG POINT: OFF / WHITE / BLACK 3. CURSOR COLOUR: WHITE / BLACK / RED / GREEN / BLUE 4. BLINK: OFF / ON 5. REG NUMBER: DISPLAYS REG NUMBER AUTO: 1. LEVEL 1: 000~255 2. LEVEL 2: 000~255 3. AUTO: RUN / BACK
	CAMERA RESET	1. CAMERA RESET / BACK
EXIT		SAVE / NOT SAVE / CANCEL / BACK

CAM892U

Connections



Other Products To Consider



REM088 - UTC Controller

In-line OSD controller allows you to configure the camera via the co-ax cable whilst next to the DVR.



POW802 - 1.5A 12V DC Plug-in PSU

Fully regulated 12V DC PSU. Ideal for IR cameras. 2.1mm DC Plug.

Specification

FUNCTION	SPECIFICATION
Image Sensor	1/3" SONY Super HAD II
Horizontal Resolution	720TVL
Effective Pixels	976(H) x 582(V)
Electronic Shutter Speed	Auto 1/50 ~1/100, 000Sec
Minimum Illumination	0.001Lux/F1.2 (0Lux IR On)
S/N Ratio	≥52dB
Video Output Level	1.0V p-p (75Ω, Composite)
Lens	8-20mm Varifocal
Focus	Manual
Lens Type	Manual
Pixels	2 Mega Pixel
IR LEDs	36 + 2 High Power IR Guns
IR Range	80m
OSD Menu Language	ENG, SPA, RUS, POR, GER, FRA, CHI, JAP

FUNCTION	SPECIFICATION
OSD Control	Up The Co-ax, RS485 & In-line Joystick
Sense-up	Auto
Wide Dynamic Range	Super Wide Dynamic Range
Backlight Compensation	BLC / HLC
White Balance	Auto / Manual
Gain Control	Auto / Manual
Noise Reduction	3D NR
Privacy Masking	15 Areas
Operating Temperature	-10°C ~ +50°
Supplied Voltage	12V DC ±10%
Current Consumption	1A
Dimensions	255 x 144 x 86mm
Weight	Approximately 1600g

All specifications are approximate. System Q Ltd reserves the right to change any product specifications or features without notice. Whilst every effort is made to ensure that these instructions are complete and accurate, System Q Ltd cannot be held responsible in any way for any losses, no matter how they arise, from errors or omissions in these instructions, or the performance or non-performance of the equipment that these instructions refer to.



WEE/CG078355

This symbol on the products and/or accompanying documents means that used electronic equipment must not be mixed with general household waste. For treatment, recovery and recycling please return this unit to your trade supplier or local designated collection point as defined by your local council.