

DVR not included



Features

- Internal Measurements: W515 x H130 x D525mm
- Secure And Lockable
- Fan Kits Available For Extra Cooling
- Tough Window Panel
- Wall And Desk Boltholes
- Easy Access Via Hinged Lid

Specification - KitVault

FUNCTION	SPECIFICATION
Build	1.7mm Steel
Cable Entry	Side & Rear Entry Glands
Access	Hinged Door With Key Lock
Mounting	Wall & Desk Mount
Use	Internal Use Only
Dimensions	H150 x W520 x D550mm (Ext)

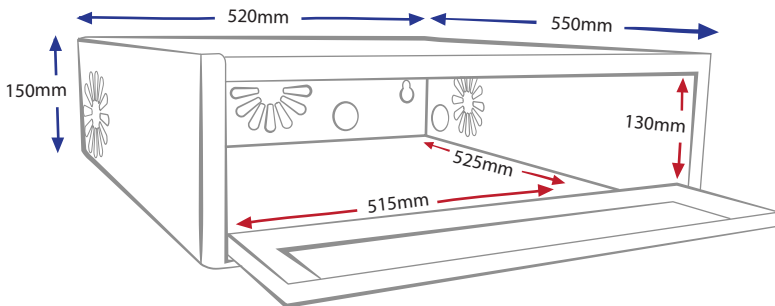
Keep Vital Evidence Secure From Tampering Or Theft!

The KitVault is designed to house CCTV equipment such as DVRs. It keeps the equipment secure from unauthorised tampering by staff and visitors, and also from theft of the equipment itself. In addition to the lockable door, the enclosure can be bolted to a shelf, desk or wall to prevent removal.

Specification - 12V Fan Kit

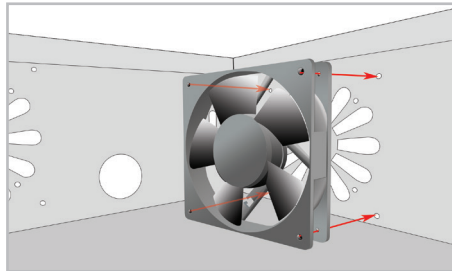
FUNCTION	SPECIFICATION
Power	12V DC
Current	190mA
Power Connect	2.1mm DC Socket (500mm Fly Lead)
Dimensions	H120mm x W120 x D25mm

Dimensions - Internal & External



Installing 12V Fan Kits

These 12V DC fan kits allow cool air to be circulated around the electronic equipment stored inside the KitVault DVR Enclosure. The KitVault has 3 fan vents, one on either side and one at the back to allow quick fitting.



Each fan kit comes supplied with fixing screws and 500mm fly-lead with a 2.1mm DC socket.

For more information on keeping your DVR cool and secure see online tip 258 ▶▶▶



Options Available

PART CODE	DESCRIPTION
CCT245	KitVault DVR Enclosure
FAN012	12V Fan Kit For The KitVault

The Expert's Advice...



"It's no good fitting a DVR if it gets stolen!

In a growing number of break-ins the DVR is stolen so vital footage which could lead to a conviction is lost.

Bolt it down and out of sight with a KitVault."

All specifications are approximate. System Q Ltd reserves the right to change any product specifications or features without notice. Whilst every effort is made to ensure that these instructions are complete and accurate, System Q Ltd cannot be held responsible in any way for any losses, no matter how they arise, from errors or omissions in these instructions, or the performance or non-performance of the equipment that these instructions refer to.



WEE/CG0783SS

This symbol on the products and/or accompanying documents means that used electronic equipment must not be mixed with general household waste. For treatment, recovery and recycling please return this unit to your trade supplier or local designated collection point as defined by your local council.