

C Mount Thread

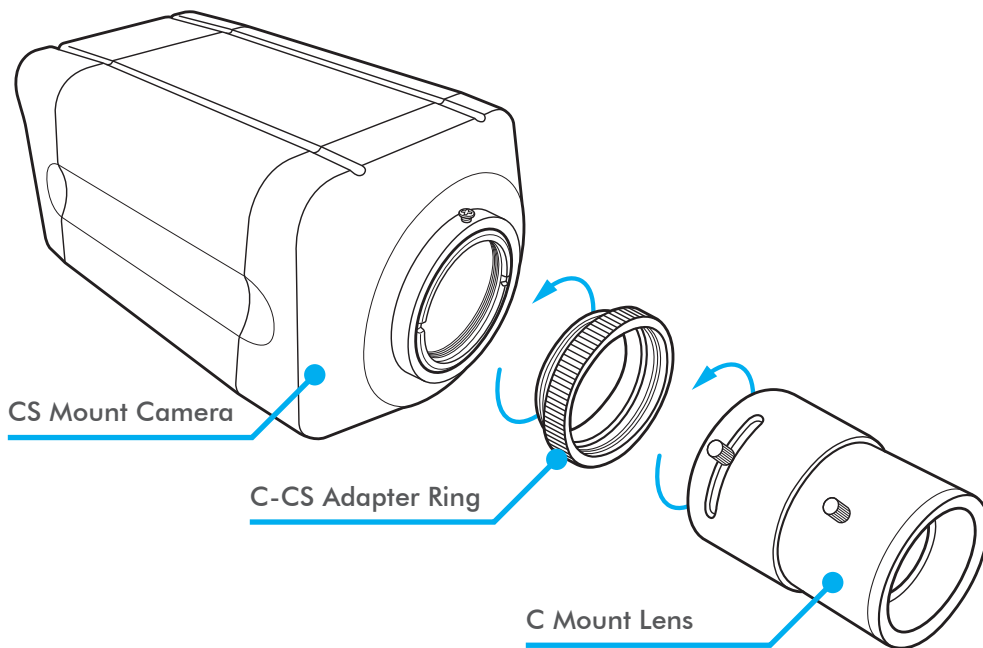


CS Mount Thread

Easily fit a C mount lens to a CS mount camera

Useful Adaptor to keep handy especially if you're involved with the long term maintenance of CCTV installations. This ring allows you to fit an older style C mount lens on to a more common CS mount camera.

How To Fit The CCT297 Adapter Ring



Features

- Easy To Fit
- C Mount To CS Mount Adapter

Specification

FUNCTION	SPECIFICATION
Dimensions	Ø30mm x 9mm

Options Available

PART CODE	DESCRIPTION
CCT297	C To CS Adapter Ring

The Expert's Advice...




"All our traditional style NiteDevil cameras come with a free C to CS mount adapter ring."

For useful tips on choosing the right lens see online tip 138 ▶▶▶



All specifications are approximate. System Q Ltd reserves the right to change any product specifications or features without notice. Whilst every effort is made to ensure that these instructions are complete and accurate, System Q Ltd cannot be held responsible in any way for any losses, no matter how they arise, from errors or omissions in these instructions, or the performance or non-performance of the equipment that these instructions refer to.

 This symbol on the products and/or accompanying documents means that used electronic equipment must not be mixed with general household waste. For treatment, recovery and recycling please return this unit to your trade supplier or local designated collection point as defined by your local council.

WEE/CG0783SS