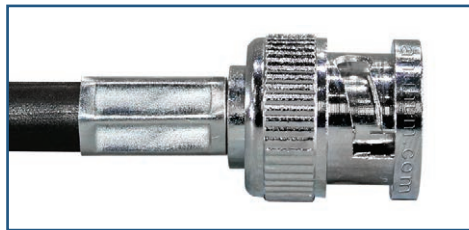
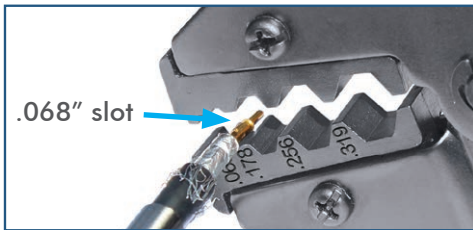




## Ideal For Covert Use When Used With Mini RG59

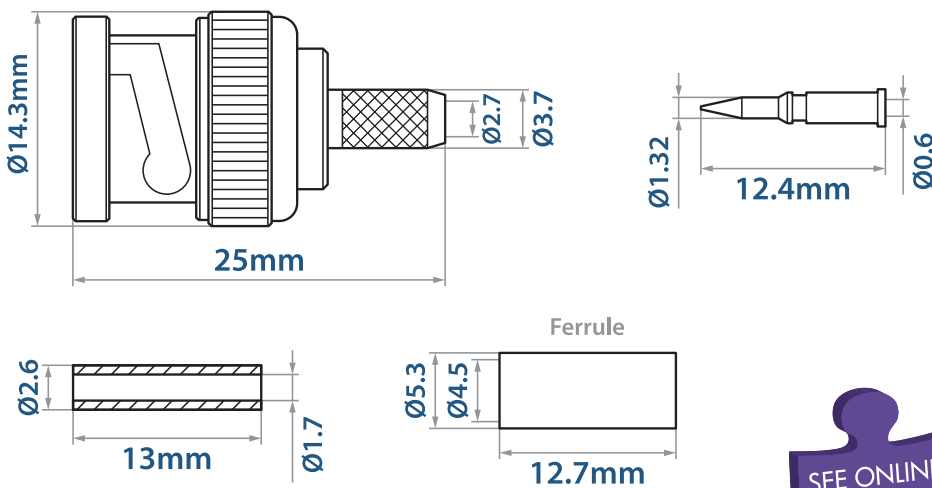
Mini 3pc BNCs and mini RG59 co-ax cable combine to create a neat and discreet installation. Designed with a smaller cable entry to fit the Ø3.5mm mini RG59 and a standard BNC connector for use with DVRs, cameras, quads and switchers. Ideal for short analogue cable runs.

## How To Crimp A Mini 3pc BNC



The mini 3pc BNCs can be crimped with the T00980 crimp tool. Just use the .068 slot to crimp the centre pin and the .178 slot to crimp the ferrule.

## Mini 3pc BNC Crimp Dimensions



For a complete step by step guide on how to crimp a 3pc BNC see online tip 248 ▶▶▶



## Features

- 3pc Design
- Crimp On Design
- Great For Covert Jobs
- Easy To Crimp

## Specification

FUNCTION	SPECIFICATION
Build	Nickel Plated
Input	BNC Plug (Male)
Connection Type	Crimp On
Length	25mm

## Options Available

PART CODE	DESCRIPTION
CON440	10 Pack
CON441	100 Pack
CON413	1000 Pack

## Other Products To Consider




## The Expert's Advice...



"Mini 3pc BNCs are only compatible with mini RG59 cable and can not be used with standard RG59."

All specifications are approximate. System Q Ltd reserves the right to change any product specifications or features without notice. Whilst every effort is made to ensure that these instructions are complete and accurate, System Q Ltd cannot be held responsible in any way for any losses, no matter how they arise, from errors or omissions in these instructions, or the performance or non-performance of the equipment that these instructions refer to.

 This symbol on the products and/or accompanying documents means that used electronic equipment must not be mixed with general household waste. For treatment, recovery and recycling please return this unit to your trade supplier or local designated collection point as defined by your local council.

WEE/CG0783SS