



Great little device for controlling 3 devices on an HDMI Screen

Useful for switching between HDMI connected equipment when a screen only has one HDMI input such as on a monitor screen, the HDM170 allows you to switch between a DVR, a DVD player and even a laptop by pressing the front panel buttons or using the mini IR remote controller supplied.

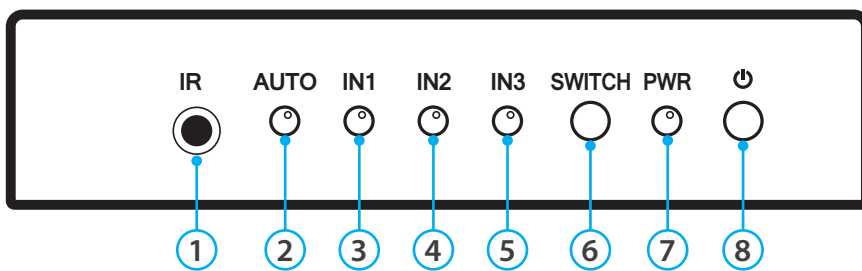
Powered from the HDMI of connected devices and measuring just 98x55x25mm, the switcher is discrete enough to hide away on a desktop or simply sit on one of the connected devices.

Use good quality HDMI leads up to 10 metres long to connect to the unit, simply plug in and the screen displays the last HDMI device connected or use the remote to select the channel you wish to be displayed.

Typical devices with HDMI that can be connected include:

DVRs, DVD or Blu-ray players, camcorders, games consoles, tablets, laptops, AV & satellite receivers.

Front Panel



1. IR Receiver Cable Input Port.
2. HDMI Input Channel Audio Switch LED Status Light. When the light comes on, the Auto Switch function is on.
3. HDMI Input Channel One LED Status Light.
4. HDMI Input Channel Two LED Status Light.
5. HDMI Input Channel Three LED Status Light.
6. HDMI Input Channel Switch Button.
7. Standby Status LED - when this light comes on, the device is in a standby state.
8. Standby and Start Button.

Features

- 3x HDMI Socket Inputs
- 1x HDMI Socket Output
- Auto-Display Function Mode
- Mini IR Remote Handset
- Full 1080p HD
- Supports 4K
- For Video & Audio
- No Power or PSU Required

Specification

FUNCTION	SPECIFICATION
HDMI Resolution	1080p / 1080i / 720p / 576i / 480p / 480i (24/50/60 fps) / 2160p (24/30 fps)
Max Bandwidth (per channel)	225MHz
Supported Audio	DTS-HD / Dolby-trueHD / LPCM7.1 / DTS / Dolby-AC3 / DSD
HDMI Input Cable Length	Up To 6m
HDMI Output Cable Length	Up To 6m
Input/Output DDC Signal	5V p-p, TTL
Power/Current	5V DC (± 10%) 350mA
Operating Temperature	0°C ~ +40°C
Operating Humidity	5 to 85%RH (No Condensation)
Weight	122g
Dimensions	98 x 55 x 25mm

Options Available

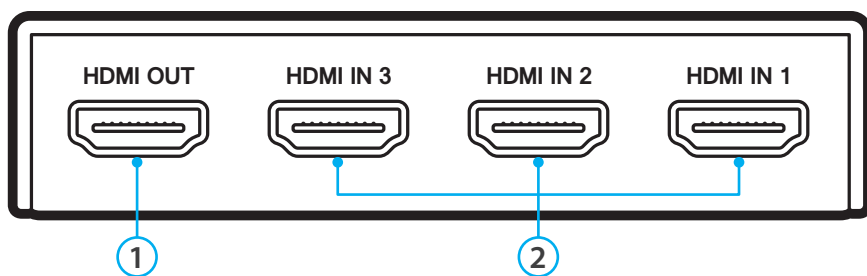
PART CODE	DESCRIPTION
HDM150	1080p HDMI Extender
VID500	HDMI Socket to Plug Adaptor
VID501	HDMI-HDMI Lead 1m PLG-PLG
VID502	HDMI-HDMI Lead 2m PLG-PLG
VID503	HDMI-HDMI Lead 3m PLG-PLG
VID505	HDMI-HDMI Lead 5m PLG-PLG
VID510	HDMI-HDMI Lead 10m PLG-PLG
VID511	HDMI Socket to Socket Adaptor
VID512	HDMI Plug to Socket Adaptor (Left)
VID512	HDMI Plug to Socket Adaptor (Right)

All specifications are approximate. System Q Ltd reserves the right to change any product specifications or features without notice. Whilst every effort is made to ensure that these instructions are complete and accurate, System Q Ltd cannot be held responsible in any way for any losses, no matter how they arise, from errors or omissions in these instructions, or the performance or non-performance of the equipment that these instructions refer to.



This symbol on the products and/or accompanying documents means that used electronic equipment must not be mixed with general household waste. For treatment, recovery and recycling please return this unit to your trade supplier or local designated collection point as defined by your local council.

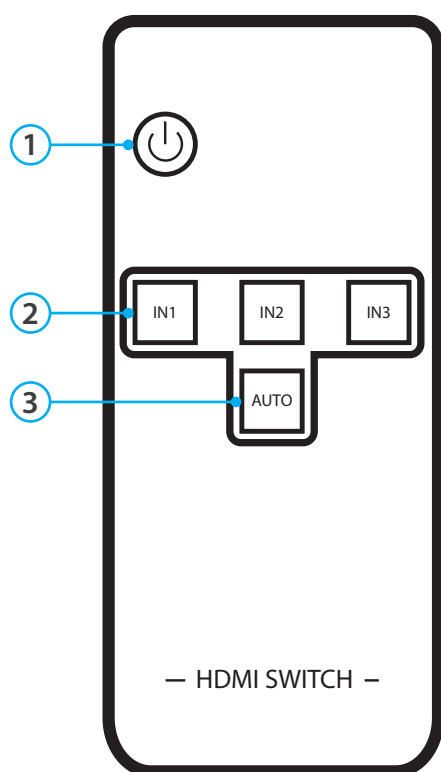
Rear Connections



1. HDMI Output Port.

2. HDMI Input Ports One, Two and Three.

IR Remote Control



1. Standby and Start Button. When the device is working normally, it will go into Standby if you press this button and the Standby LED Status light will turn on. When pressed again the device will come back on and be back to normal working status and the Standby light will turn off.

2. HDMI Input Channel Switch Button. When you press the 'IN1' Button, the device will switch to the matched input 1 channel.

3. Auto: HDMI Input Channel Auto Switch Function On/Off Button. When this button is pressed the device will jump to the newly connected input source and the Auto LED light will come on. Please make sure that the device you are connecting has been started up.

Note: Please take off the film on the back of the remote before you use and replace if not in use for a long period of time.

Features

- 3x HDMI Socket Inputs
- 1x HDMI Socket Output
- Auto-Display Function Mode
- Mini IR Remote Handset
- Full 1080p HD
- Supports 4K
- For Video & Audio
- No Power or PSU Required

Specification

FUNCTION	SPECIFICATION
HDMI Resolution	1080p / 1080i / 720p / 576i / 480p / 480i (24/50/60 fps) / 2160p (24/30 fps)
Max Bandwidth (per channel)	225MHz
Supported Audio	DTS-HD / Dolby-trueHD / LPCM7.1 / DTS / Dolby-AC3 / DSD
HDMI Input Cable Length	Up To 6m
HDMI Output Cable Length	Up To 6m
Input/Output DDC Signal	5V p~p, TTL
Power/Current	5V DC (± 10%) 350mA
Operating Temperature	0°C ~ +40°C
Operating Humidity	5 to 85%RH (No Condensation)
Weight	122g
Dimensions	98 x 55 x 25mm

Options Available

PART CODE	DESCRIPTION
HDM150	1080p HDMI Extender
VID500	HDMI Socket to Plug Adaptor
VID501	HDMI-HDMI Lead 1m PLG-PLG
VID502	HDMI-HDMI Lead 2m PLG-PLG
VID503	HDMI-HDMI Lead 3m PLG-PLG
VID505	HDMI-HDMI Lead 5m PLG-PLG
VID510	HDMI-HDMI Lead 10m PLG-PLG
VID511	HDMI Socket to Socket Adaptor
VID512	HDMI Plug to Socket Adaptor (Left)
VID512	HDMI Plug to Socket Adaptor (Right)

All specifications are approximate. System Q Ltd reserves the right to change any product specifications or features without notice. Whilst every effort is made to ensure that these instructions are complete and accurate, System Q Ltd cannot be held responsible in any way for any losses, no matter how they arise, from errors or omissions in these instructions, or the performance or non-performance of the equipment that these instructions refer to.



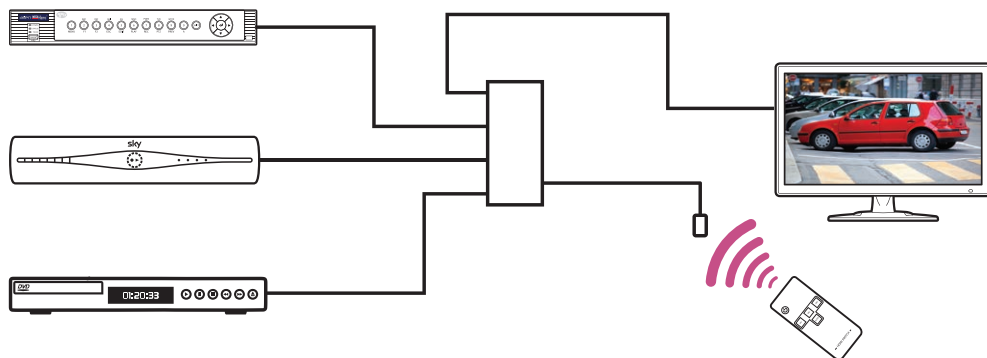
WEE/CG078355

This symbol on the products and/or accompanying documents means that used electronic equipment must not be mixed with general household waste. For treatment, recovery and recycling please return this unit to your trade supplier or local designated collection point as defined by your local council.

Accessories Included

- IR Remote Control
- IR Receiver Cable
- USB To Mini USB Cable (for power if not delivered by HDMI)

How It Works



1. To use, connect one HDMI cable to the HD source and one end to the Input port of the device.
2. Connect the HDMI Output port of the device to the display monitor.
3. Press the button to turn the device on and off.
4. If the 'AUTO' button is pressed, the Auto LED light will come on and the HDM170 will switch to the most recently connected device.

Note: This device gets power from the HDMI source. Some HDMI sources have a very small working current and may not be able to supply enough power to the HDMI switch. If this occurs you can connect more HD devices to power the unit or use the USB lead supplied and connect it to a 5V DC power source.

Placement & Precautions

1. The machine should be placed away from damp, high temperature, dusty, erosive and oxidative environments.
2. Do not shake, hit or drop.
3. Do not touch the power adaptor with wet hands.
4. Hold the power adaptor head and do not pull the power cord from the socket.
5. Turn off the device when not in use.
6. Do not open the unit.
7. This device does not support the conversion between DVI and HDMI.

Features

- 3x HDMI Socket Inputs
- 1x HDMI Socket Output
- Auto-Display Function Mode
- Mini IR Remote Handset
- Full 1080p HD
- Supports 4K
- For Video & Audio
- No Power or PSU Required

Specification

FUNCTION	SPECIFICATION
HDMI Resolution	1080p / 1080i / 720p / 576i / 480p / 480i (24/50/60 fps) / 2160p (24/30 fps)
Max Bandwidth (per channel)	225MHz
Supported Audio	DTS-HD / Dolby-trueHD / LPCM7.1 / DTS / Dolby-AC3 / DSD
HDMI Input Cable Length	Up To 6m
HDMI Output Cable Length	Up To 6m
Input/Output DDC Signal	5V p~p, TTL
Power/Current	5V DC (± 10%) 350mA
Operating Temperature	0°C ~ +40°C
Operating Humidity	5 to 85%RH (No Condensation)
Weight	122g
Dimensions	98 x 55 x 25mm

Options Available

PART CODE	DESCRIPTION
HDM150	1080p HDMI Extender
VID500	HDMI Socket to Plug Adaptor
VID501	HDMI-HDMI Lead 1m PLG-PLG
VID502	HDMI-HDMI Lead 2m PLG-PLG
VID503	HDMI-HDMI Lead 3m PLG-PLG
VID505	HDMI-HDMI Lead 5m PLG-PLG
VID510	HDMI-HDMI Lead 10m PLG-PLG
VID511	HDMI Socket to Socket Adaptor
VID512	HDMI Plug to Socket Adaptor (Left)
VID512	HDMI Plug to Socket Adaptor (Right)

All specifications are approximate. System Q Ltd reserves the right to change any product specifications or features without notice. Whilst every effort is made to ensure that these instructions are complete and accurate, System Q Ltd cannot be held responsible in any way for any losses, no matter how they arise, from errors or omissions in these instructions, or the performance or non-performance of the equipment that these instructions refer to.

This symbol on the products and/or accompanying documents means that used electronic equipment must not be mixed with general household waste. For treatment, recovery and recycling please return this unit to your trade supplier or local designated collection point as defined by your local council.

WEE/CG078355

Fault Finding

Before turning on, please check the connection carefully and make sure that all devices are connected correctly. If your device isn't working properly please check the common troubleshoot solutions below:

NO.	PROBLEM	CAUSE & SOLUTION
1	No power but connected	<ol style="list-style-type: none"> 1. Check the HD source is correctly inserted 2. Check the HD source is on
2	No Picture	<ol style="list-style-type: none"> 1. Make sure that the TV/Monitor is on and has been connected to the machine correctly. 2. Check if the signal source is on and connected. 3. Check the system connection quality 4. Check if the line is good quality 5. Check the cable quality
3	Obscure Picture	<ol style="list-style-type: none"> 1. Disconnect and Reconnect the cable from the device 2. Check the HDMI cable quality
4	No Sound	<ol style="list-style-type: none"> 1. Check the Audio Mode Switch
5	Remote	<ol style="list-style-type: none"> 1. Check the film on the back has been removed 2. Check if the batteries are working

Features

- 3x HDMI Socket Inputs
- 1x HDMI Socket Output
- Auto-Display Function Mode
- Mini IR Remote Handset
- Full 1080p HD
- Supports 4K
- For Video & Audio
- No Power or PSU Required

Specification

FUNCTION	SPECIFICATION
HDMI Resolution	1080p / 1080i / 720p / 576i / 480p / 480i (24/50/60 fps) / 2160p (24/30 fps)
Max Bandwidth (per channel)	225MHz
Supported Audio	DTS-HD / Dolby-trueHD / LPCM7.1 / DTS / Dolby-AC3 / DSD
HDMI Input Cable Length	Up To 6m
HDMI Output Cable Length	Up To 6m
Input/Output DDC Signal	5V p~p, TTL
Power/Current	5V DC (± 10%) 350mA
Operating Temperature	0°C ~ +40°C
Operating Humidity	5 to 85%RH (No Condensation)
Weight	122g
Dimensions	98 x 55 x 25mm

Options Available

PART CODE	DESCRIPTION
HDM150	1080p HDMI Extender
VID500	HDMI Socket to Plug Adaptor
VID501	HDMI-HDMI Lead 1m PLG-PLG
VID502	HDMI-HDMI Lead 2m PLG-PLG
VID503	HDMI-HDMI Lead 3m PLG-PLG
VID505	HDMI-HDMI Lead 5m PLG-PLG
VID510	HDMI-HDMI Lead 10m PLG-PLG
VID511	HDMI Socket to Socket Adaptor
VID512	HDMI Plug to Socket Adaptor (Left)
VID512	HDMI Plug to Socket Adaptor (Right)

All specifications are approximate. System Q Ltd reserves the right to change any product specifications or features without notice. Whilst every effort is made to ensure that these instructions are complete and accurate, System Q Ltd cannot be held responsible in any way for any losses, no matter how they arise, from errors or omissions in these instructions, or the performance or non-performance of the equipment that these instructions refer to.



WEE/CG078355

This symbol on the products and/or accompanying documents means that used electronic equipment must not be mixed with general household waste. For treatment, recovery and recycling please return this unit to your trade supplier or local designated collection point as defined by your local council.