

HDM210 HDMI KVM TX/RX

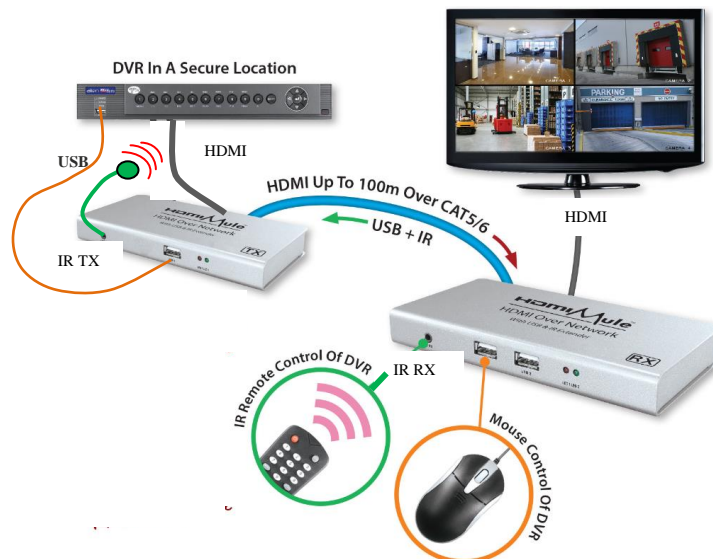
This HDMI KVM (Keyboard, Video and Mouse) switch can control a DVR or NVR from a remote location up to 100 metres on CAT5 and will also transmit IR signals. It can also control one or more computers from a single keyboard or mouse, and view them with audio on a single HDMI monitor.



The HDM210 consists of an HDM182 transmitter and an HDM192 receiver. These can be purchased individually as one transmitter can control a number of receivers.

Example of use

The DVR/NVR could be installed in a locked server room and a monitor and mouse installed in a reception area where the DVR/NVR pictures could be viewed and mouse access available to the DVR. An IR facility can also be used to use a remote from the monitor end to control the DVR.



List of HDM210 Components

- 1 x HDM182 Transmitter**
- 1 x HDM192 Receiver**
- 2 x 5v DC 2A Power Supplies**
- 1 x IR Transmitter**
- 1 x IR Receiver**

Installation Instructions

HDM182 Transmitter



- | | |
|--|-------------------------|
| 1. 5v DC power input | 4. IR TX connection |
| 2. UTP CAT5/6 output port (Max cable 100m) | 5. USB port |
| 3. HDMI input port (Max HDMI cable length 5m for 1080P) (Max HDMI cable length 10m for 720P) | 6. LED Power indicator |
| | 7. LED Signal indicator |

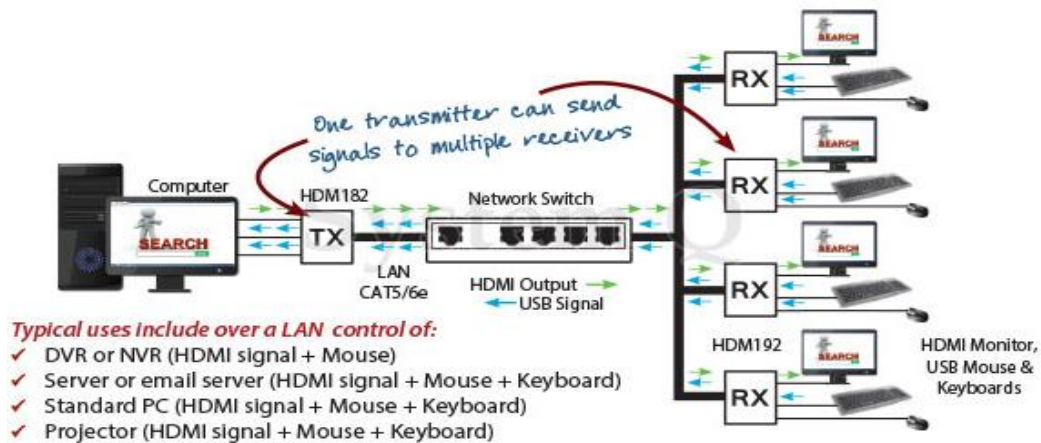
HDM192 Receiver



- | | |
|--|----------------------------------|
| 1. 5v DC power input | 4. IR RX connection |
| 2. UTP CAT5/6 input port (Max cable 100m) | 5. USB port 1 for Mouse/Keyboard |
| 3. HDMI output port (Max HDMI cable length 15m) | 6. USB port 2 for Mouse/Keyboard |
| | 7. LED Power indicator |
| | 8. LED Signal indicator |

- a) Connect an HDMI cable from the DVR, PS3 or DVD player etc. to the Transmitter. Ensure that HDMI cable is no longer than 5 metres for a 1080P input signal or 10 metres for a 720P input signal.
- b) Connect the HDMI cable output from the Receiver to the HDMI monitor/HD TV. Ensure that the HDMI cable run is no longer than 15 metres.
- c) Connect a CAT5/6 cable between the Transmitter and Receiver no longer than 100 metres.
- d) Connect a 5vDC 2A power supply to the Transmitter and Receiver. The power LEDs should light up. When the signal LEDs light and flicker the equipment is ready to use.
- e) If you are using a USB mouse or keyboard plug them into the USB ports on the Receiver. You will also need a USB cable fitted between the Transmitter and DVR, or item you are controlling with the mouse.
- f) If you are using an IR remote, then connect the IR Receiver into the IR TX on the Transmitter and the IR Transmitter into the IR RX on the Receiver. Ensure that the IR Remote can see the IR Transmitter and the IR Receiver can see the IR sensor on the DVR.

The HDM182 Transmitter can be used with multiple HDM192 Receivers. The following is an example of one of the options.



Note that when using on an office network, there may be network resource considerations, so in some instances it may be necessary to separate this functionality using a separate network switch.

HDM210 Technical Specification

| | |
|--------------------------------------|---|
| HD TV Resolutions | 480P / 720P / 1080P |
| Audio | Sample Rate: 32kHz / 44.1kHz / 48kHz |
| IR Remote Control | 38kHz |
| HDMI version | HDMI 1.3 |
| HDCP | HDCP 1.2 |
| Power Supplies | 2 x 5vDC/2A |
| Power Consumption | HDM182 Transmitter 290mA HDM192 Receiver 230mA |
| Power Connection on both TX & RX | 2.1mm DC Jack |
| Input Connections | HDM182 TX – HDMI HDM192 RX – 2 x USB |
| Network Connection | RJ45 on TX and RX using CAT5/CAT6 cable maximum run 100m |
| HDMI cable run to HDM182 Transmitter | If source 1080P max run 5 metres – if 720P max run 10 metres |
| HDMI cable run from HDM192 Receiver | 15 metres |
| Operating temperature Range | 0°C ~ +70°C |
| Storage Temperature Range | -10°C ~ +80°C |
| Operating Humidity Range | 10 ~ 80% RH |
| Storage Humidity Range | 5 ~ 90% RH |
| Transmission | One HDM182 TX can transmit video & audio to multiple HDM192 RXs |
| Mounting | Wall mount (brackets included) |
| Weight | 450g x 2 |
| Dimensions | 163mm x 80mm x 19mm |



WEE/CG0783SS

This symbol on the products and/or accompanying documents means that used electronic equipment must not be mixed with general household waste. For treatment, recovery and recycling please return this unit to your trade supplier or local designated collection point as defined by your local council.

All specifications are approximate. Kover.com reserves the right to change any product specification or features without notice. Whilst every effort is made to ensure that these instructions are complete and accurate, kover.com cannot be held responsible in any way for any losses, no matter how they arise, from errors or omissions in these instructions, or the performance or non-performance of the camera or other equipment that these instructions refer to.