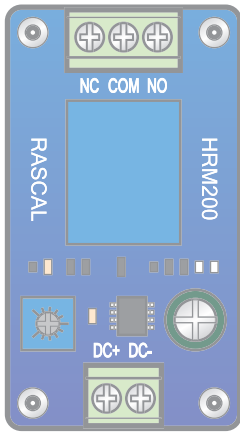
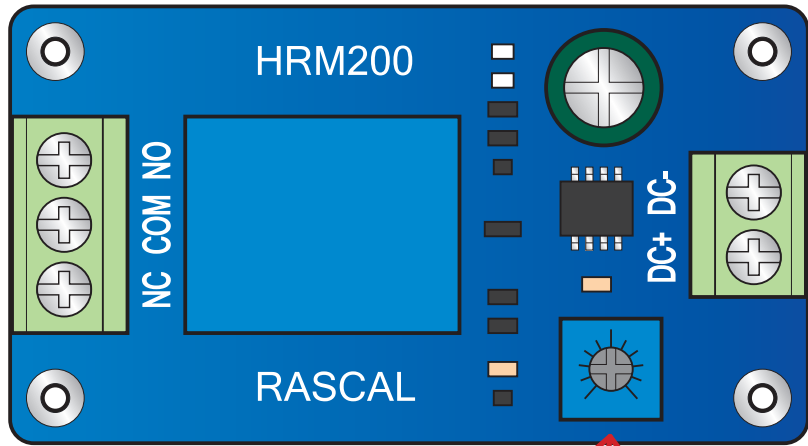


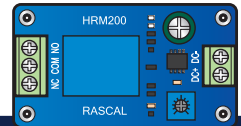
# Rascal™ Handy Delay On-Off Relay



**Actual Size !**  
(30mm x 54mm)



**Adjustable Delay** →



This mini relay module can either open or close contacts at a 0-20s adjustable delay when you apply 12V to it. It's so tiny at 30\*54mm it can even be housed in other equipment.

Providing a perfect solution to delay the switch on or switch off of lights, door locks, bells, buzzers and so on, it's an absolute bargain for any professional installer's toolbox.

If you need a delay on or off longer than 20 seconds then look at our 10 function relay (HRM250 below) with a delay of up to 10 days!

| Feature       | HRM200         |
|---------------|----------------|
| Relays        | 1 x N.O/N.C    |
| Input Voltage | 12V DC         |
| Output Relay  | 240V AC 10A    |
| Timers        | 1 (Built-in)   |
| Delay         | 0 - 20 Seconds |
| Dimensions    | 30 x 54mm      |

## Simple Operation

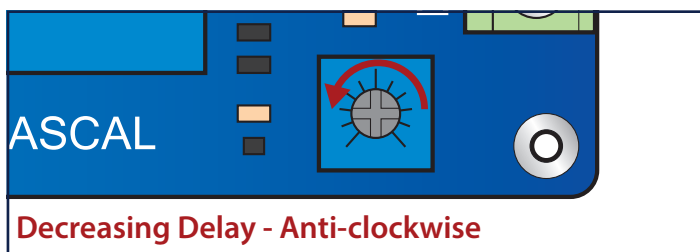
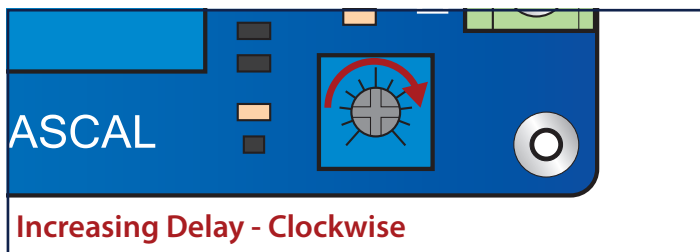
When you apply 12V to its input terminals it starts a timer going, when the timer is finished the relay energises. With the relay having both normally open contacts and normally closed contacts you could either make or break a circuit when the timer expires.

To adjust the timer simply turn the blue timer adjuster clockwise to increase the time and anticlockwise to decrease the time. The maximum time is around 20 seconds and the minimum is 0s

When you are turning the blue adjuster take care to use a small precision screwdriver for the task as it is only a PCB mounted potentiometer and it is easy to damage it with "brute force" and physical damage to this is not covered under warranty.

Because you start the timer by applying power to the HRM200 you have to keep power to the PCB or the timer can not run, therefore this simple timer can not be triggered by just a short pulse.

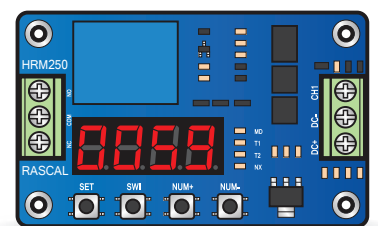
If you wish to trigger a delay with a short pulse say from a push button you will need a timer that has a "trigger input", if that's your requirement have a look at HRM250 (below) as this can be triggered via "power on" or "trigger in".



### Also Available

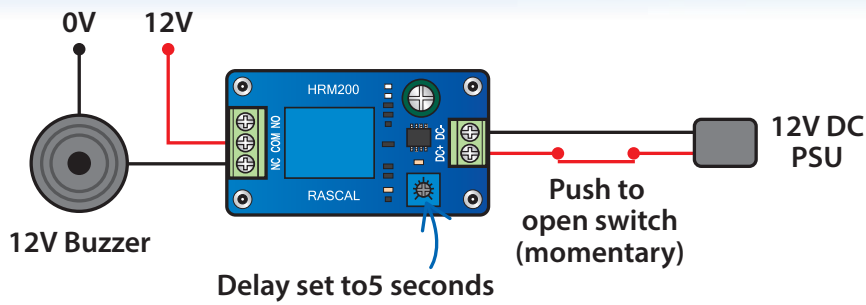
**The Rascal handy 10 function relay has not 1 but 2 timers to switch relay contacts on and off in a number of ways - for up to 10 days!**

- ✓ Adjustable Delay - 0.005s To 270hrs
- ✓ 10 Delay, Loop & Continuous Functions
- ✓ 240V AC 10A Relay
- ✓ 2x Built-in Timers
- ✓ Built-in LED Display
- ✓ Saves Settings Even When Power Removed

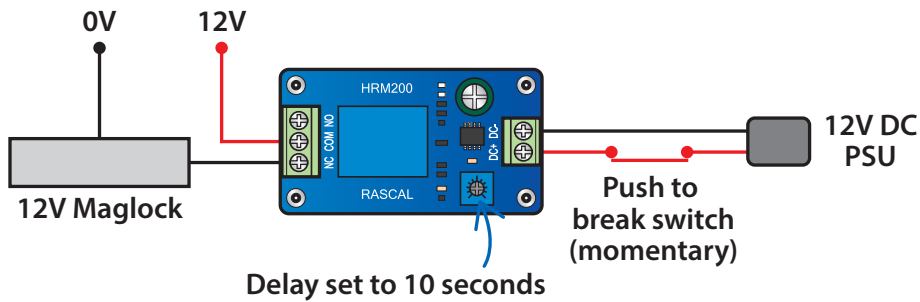


HRM250

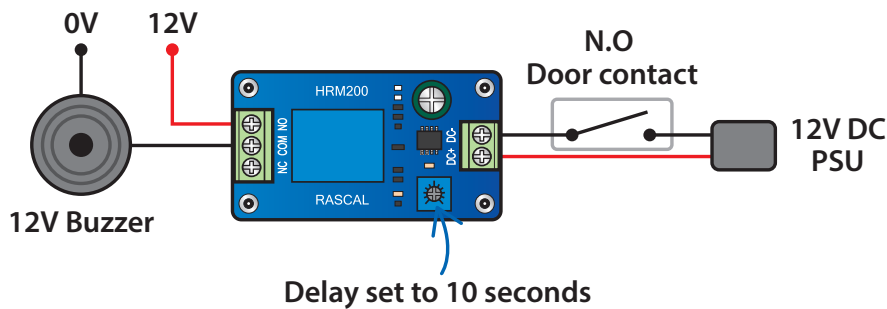
## Application Example 1 - Buzzer Sounds for 5s when Button is Pressed



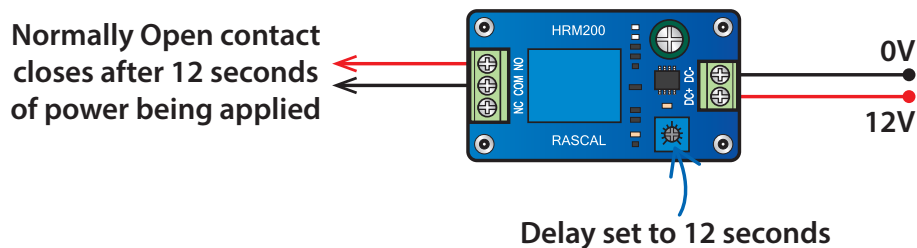
## Application Example 2 - Maglock is Released for 12s when Button is Pressed



## Application Example 3 - Buzzer Sounds for 10s when Door is Opened



## Application Example 4 - Contacts Close After 12s of Power Being Applied



## Application Example 5 - Contacts Open After 4s of Power Being Applied

