



Instruction Manual

NiteDevil 24C Camera

IP-CAM828

Table of Contents

Part 1 Introduction	1
1 Key Features - IP-CAM828	1
Part 2 Connections and Dimensions	2
1 IP-CAM828	2
Part 3 Mounting and SD Card Installation	3
1 Mini-Eyeball	4
Part 4 Setup Options	5
1 PoE ZIP NVR	5
2 Non-PoE ZIP NVR	6
Part 5 How to Login via Browser	7
Part 6 Browser Menu Settings	9
1 IP-CAM828	9
2 Customising the Day / Night Setting to IR	14
Part 7 Extra Resources	15
1 ZipNVR.com Website	15
2 Adding IP Cameras to a ZIP recorder	15
3 AI Setup	15
4 ZIP Firmware	16
Part 8 General Maintenance	17
Part 9 Specifications	18
1 IP-CAM828	18
Index	19

Introduction

1.1 Key Features - IP-CAM828

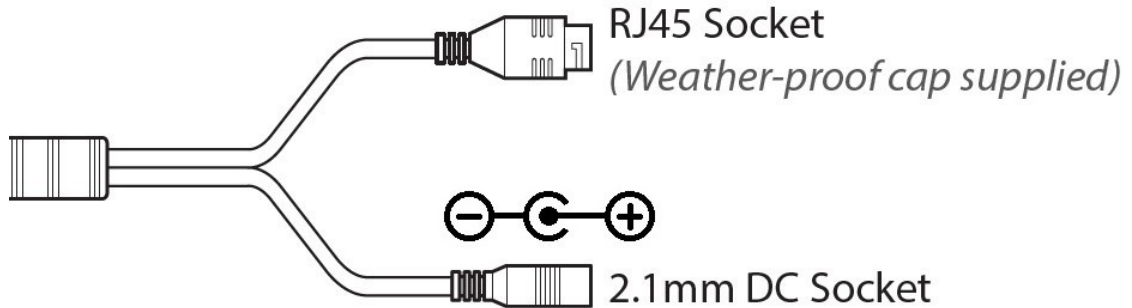
4K NiteDevil HERO IP Camera

Colour in Low Light with a Built-In Warning Strobe

- Full Colour 24/7
- Vehicle Detect
- 4K
- PoE & 12V
- Perimeter cross
- 2-way audio
- NiteDevil® tech
- Line Cross
- SD card slot
- White light LEDs

Connections and Dimensions

2.1 IP-CAM828



Powering the camera

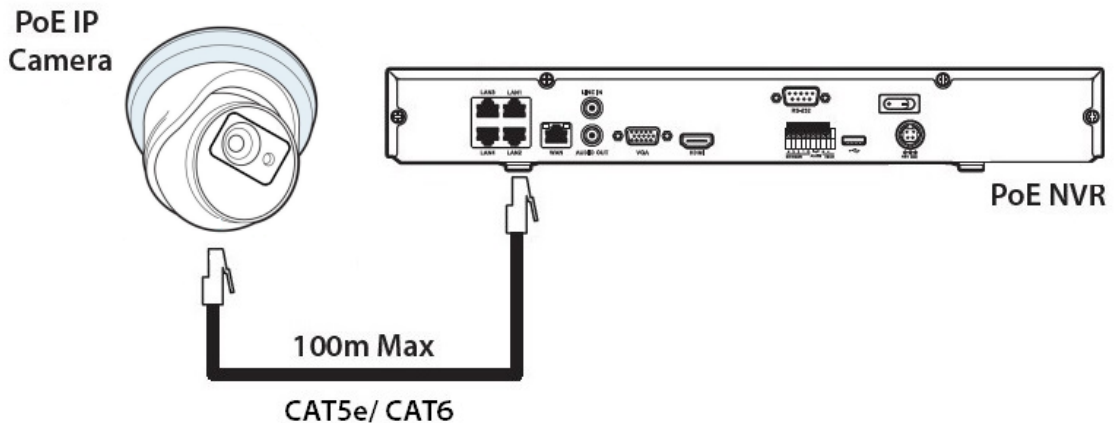
Option 1 - Power the camera from 12V DC (via the 2.1mm DC Socket), the current consumption is 420mA.

The camera is polarity sensitive so connections must be correctly made.

Option 2 - Power the camera using a PoE 48V RJ45 Socket

When connecting ZIP PoE NVR plug the camera directly into the NVRs built in PoE switch.

The camera should automatically become visible after being connected for approximately 1 minute.



Dimensions



*Dimensions Exclude Bracket

Mounting and SD Card Installation

For local recording on the camera itself an SD card must be installed.

Recording time will vary dependent upon: SD card size and encoding settings

32GB SD Card ≈ 31 hours

64GB SD Card ≈ 62 hours

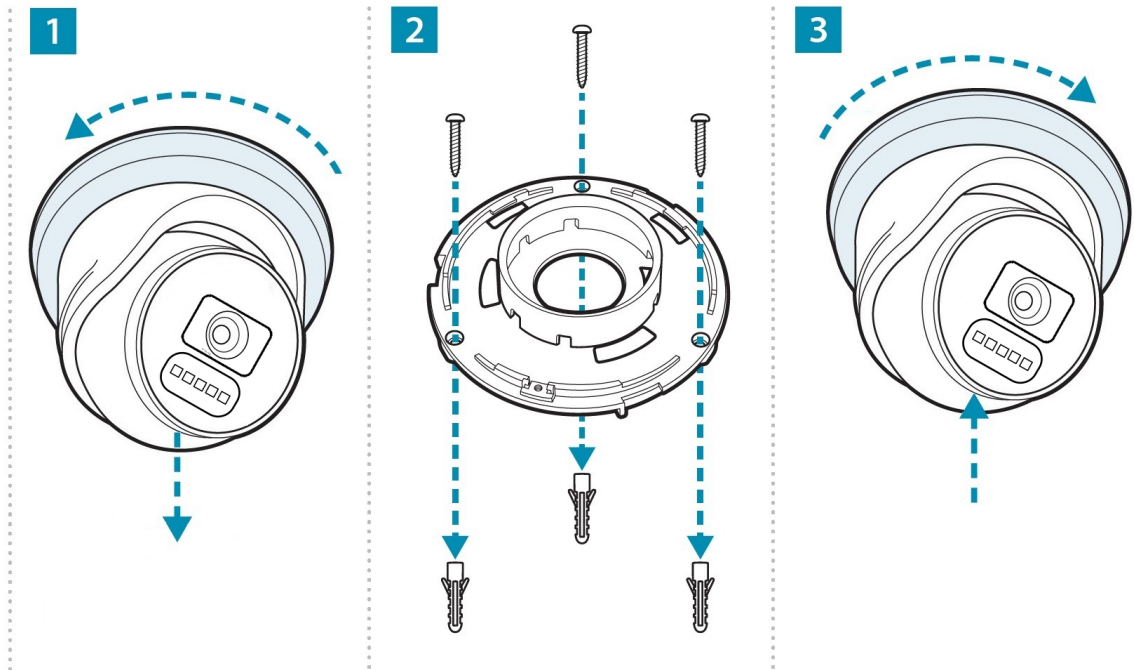
128GB SD Card (MAX) ≈ 124 hours

256GB SD Card (MAX) ≈ 248 hours

The camera can be set to only record when triggered via motion detection, alarm input or AI smart, this maximises the recording time achievable.

Remove power from the camera when inserting / removing the SD card.

3.1 Mini-Eyeball



A template is provided in the box for marking the hole positions for the fixing screws.

Setup Options

4.1 PoE ZIP NVR

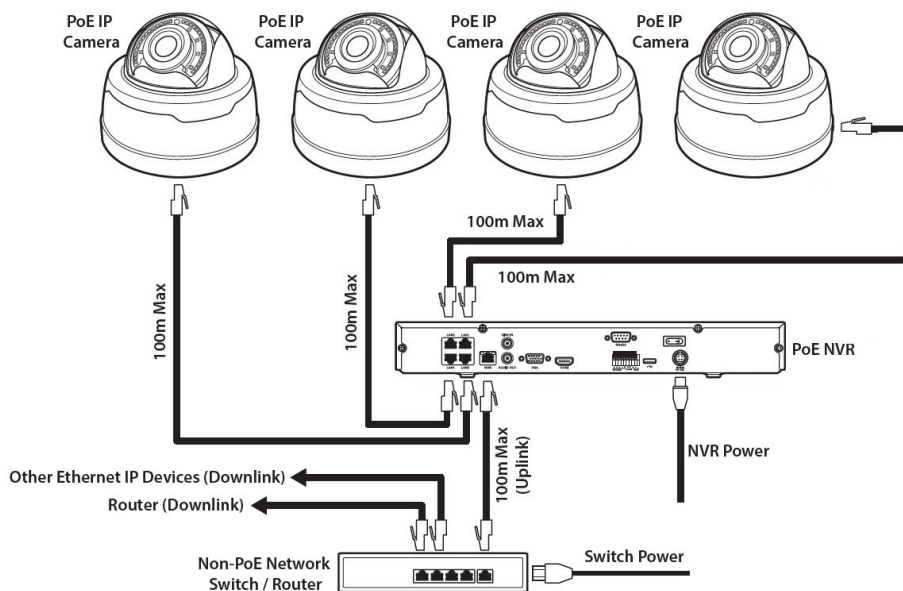
When connecting to a **ZIP PoE NVR** plug the camera directly into the NVR's built in PoE switch.

The camera should automatically become visible after being connected for approximately 1 minute.

The 100m distance for a camera can be increased when the PoE Mode is set to EPoE.

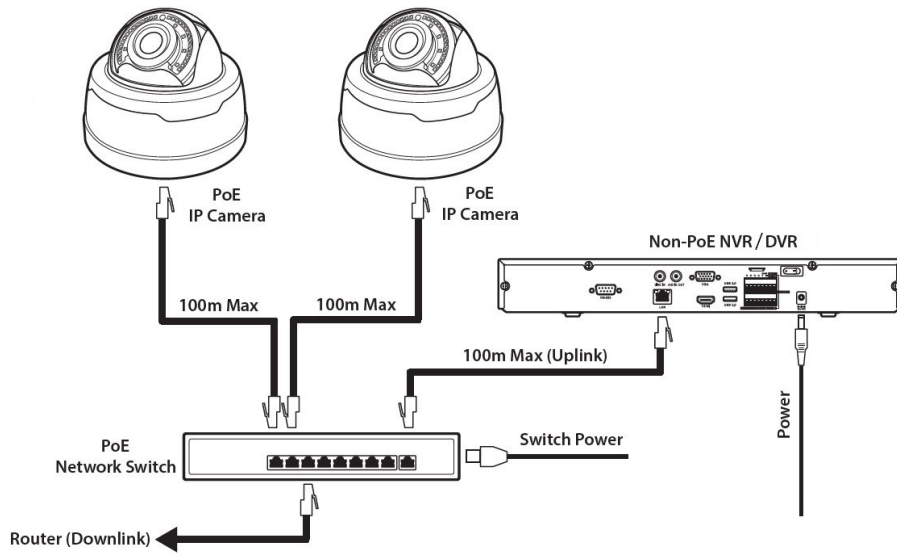
In the menu on a ZIP PoE NVR go to:-

Video > IP Channels > PoE Mode



4.2 Non-PoE ZIP NVR

When connecting cameras to a **Non-PoE NVR**, they are first connected to an external network switch which is in-turn connected to the NVR as shown below.



See [Extra Resources](#) ¹⁵ for more information on **Adding IP Cameras manually** to a ZIP Recorder.

How to Login via Browser

The AI smart features can be configured in a ZIP recorder or directly in the browser interface of the camera (standalone)

Only one smart detection feature can be enabled at any given time.

See the NVR or DVR manual for information on configuring these features with a ZIP recorder.

Follow the steps below for configuring the settings directly in the camera via a browser for standalone setup.

You will need...

- Windows Based PC/ Laptop connected to router/ PoE switch
- ZipVision Pro App on Mobile Device
- PoE Switch connected to Network/ Router
- Ethernet network cable
- [ZipFinder](#) software, available via this link below:-

www.softcctv.com/store/Item/Zip-Finder-IP-CCTV-Security-Camera-Discovery-Tool

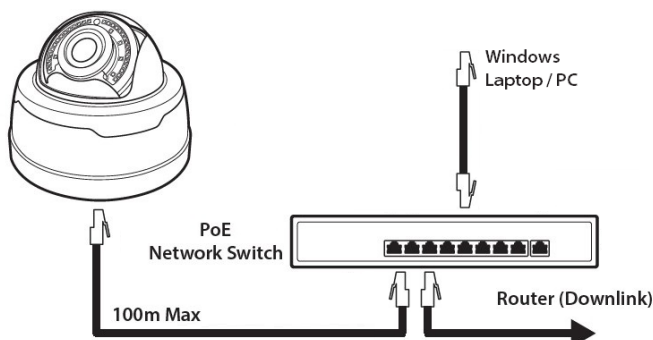
NOTE If the PC being used is on a different IP range to the PC then add the IP range of the camera to the PC using the below guide:-

PDF Version :- http://www.cctvmanuals.com/pdf/tips/How_to_add_an_IP_Range.pdf

HTML Version :-

http://www.cctvmanuals.com/tips/How_to_add_an_IP_Range/index.html

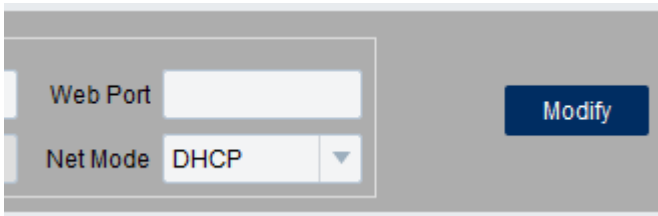
1. Plug the camera's RJ45 port with a network cable into a PoE switch



2. Using ZipFinder on a Windows Based PC/ Laptop **Search** and then tick the camera



3. Select Net Mode = **DCHP**, then click **Modify**



4. **Search** again, to get the updated IP address.

5. **Select** the IP address of the camera, Internet Explorer will pop-up, and ask to download and install the plug-in.

6. **Download, install** and follow the steps for the plug-in installation, then re-load the browser by **selecting** the IP address again.

5. Login to the IP Camera, the **default** login details are:-

Default IP	192.168.10.1
DCHP	Off
User Name	admin
Password	777777

Browser Menu Settings

6.1 IP-CAM828

The menu be configured directly in the browser interface of the camera (standalone), in Remote Setting you will find the menu settings below:-

Video	Live		Name	Camera (user editable)	
	Image Control		Date Format	DD/MM/YYYY / MM/DD/YYYY / YYYY/MM/DD	
			Time Format	24 Hour / 12 Hour	
			Flicker Control	50Hz / 60Hz	
			Show Name	Enable / Disable	
			Show Time	Enable / Disable	
			Save / Refresh		
	Image Control		Image Setting	Full Colour Mode / Day / Night Mode / Schedule	
			White Light	Manual / Automatic mode / Schedule / OFF	
			Angle Trad	180 / 0	
			Mirror	Disable / Vertical / Horizontal / All	
			Backlight	WDR / HLC / Back Light / Disable	
			White Balance	Automatic mode / Manual	
			Shutter	Automatic mode / Manual	
			Time Exposure	1/5 to 1/200000 / Flickerless	
			Defog	OFF / Automatic mode / Manual	
			3D Noise Reduction	OFF / Automatic Mode / Manual	
			Save / Default / Refresh		
	Privacy Mask		Enable / Disable		
	Record	Encode	Mainstream	Resolution	3840 x 2160
				FPS	1 -15
Video Code Type				H.265 / H.264	
Video Code Level				Main Profile	
Bitrate Control				CBR / VBR	
Bitrate Mode				Predefined / User-Defined	
Bitrate				512 to 6144	
I Frame Interval				1 to 100	
Audio				Enable / Disable	
				Save / Refresh	
		Substream	Resolution	1920 x 1080	
			FPS	1 -15	
			Video Code Type	H.265 / H.264	
			Video Code Level	Main Profile / Baseline / High Profile	

		Mobilestream	Bitrate Control	CBR / VBR
			Bitrate Mode	Predefined / User-Defined
			Bitrate	128 to 2048
			I Frame Interval	1 to 60
			Audio	Enable / Disable
			Save / Refresh	
			Enable	Enable / Disable
			Resolution	640 x 480 / 320 x 240
			FPS	1 – 25
			Video Code Type	H.265 / H.264 / H.264+ / H.265+
			Video Code Level	Main Profile
			Bitrate Control	CBR / VBR
		Bitrate Mode	Predefined / User-Defined	
		Bitrate	8 to 1536	
		I Frame Interval	1 to 60	
		Audio	Enable / Disable	
		Save / Refresh		
		Record	Record	Stream Mode
Record	Enable / Disable			
PreRecord	Enable / Disable			
Netbreak	Enable / Disable			
Save / Refresh				
Schedule	User Definable			
Save / Refresh				
Event	Setup	Motion	Enable	Enable / Disable
			Sensitivity	1 to 8
			Save / Refresh	
		Deterrence	Save / Default / Refresh	
	Alarm	Post Recording	OFF / 5s / 10s / 20s / 30s	
		Send Email	Enable / Disable	
		FTP Picture Upload	Enable / Disable	
		Enable Record	Enable / Disable	
		Deterrent	Enable / Disable	
		Save / Schedule / Refresh		
AI	Setup	PD & VD	Enable	Enable / Disable
			Sensitivity	0 to 100
			Snap Mode	Default / Realtime Mode / Interval Mode
			Min Pixel	64 – 1080
			Max Pixel	320 – 1080
			Detection Type	Pedestrian & Vehicle / OFF / Person / Vehicle
			Detection Mode	Motion Mode / Static Mode
			Detection Range	Full Screen / Customize
			Save / Refresh	

		LCD	Enable	Enable / Disable		
			Sensitivity	1 to 4		
			Dynamic Marking	Enable / Disable		
			Detection Type	Pedestrian & Vehicle / Person / Vehicle		
			Rule Number	1 to 4		
			Rule Enable	Enable / Disable		
			Rule Type	A→B / B→A / A←→ B		
			Save / Refresh			
	Alarm	PID / LCD	Post Recording	OFF / 5s / 10s / 20s / 30s		
			Send Email	Enable / Disable		
			FTP Picture Upload	Enable / Disable		
			Enable Record	Enable / Disable		
			Deterrent	Enable / Disable		
			Save / Schedule / Refresh			
			Network	General	General	DCHP
	IP Address	User-definable				
	Subnet Mask	User-definable				
	Gateway	User-definable				
	DNS 1	User-definable				
	DNS 2	User-definable				
Video Encryption Transmission	Enable / Disable					
Save / Refresh						
Port Configuration	HTTP Port	Client Port		User-definable		
						HTTPS Port
						RTSP Port
						P2P Enable
	Save / Refresh					
Email			Email	Enable / Disable		
			Encryption	OFF / SSL / TLS / Automatic mode		
			SMTP Port	1 - 65535		
			SMTP Server	User-definable		
			Username			
			Password			
			Sender			
			Receiver 1			
			Receiver 2			
			Receiver 3			
Interval						
Save / Test / Refresh						
RTSP			RTSP Enable			
			Anonymous Login	Enable / Disable		
			Instruction: rtsp://IP:RtspPort/ch01/A			

			A: 0(main stream), 1(sub stream), 2(mobile stream) Save / Refresh			
	DDNS		DDNS	Enable / Disable		
			Server	NO IP / DYNDNS		
			Hostname	User-definable		
			Username	User-definable		
			Password	User-definable		
	HTTPS		Certificate Type	Default / Custom		
			Certificate / Key	User-definable		
			Install			
			Save / Refresh			
Storage	Disk	Select Disk				
		Overwrite	OFF / Auto			
		Save / Format Hard Disk / Refresh				
	Audio	Enable Audio	Enable / Disable			
		Output Volume	0 – 8			
		Input Volume	0 – 8			
		Audio Code Type	G711A / G711U			
	Save / Refresh					
System	General	Date and Time	Time Setting mode	Static / NTP server synchronization		
			Date Format	Day/Month/Year Year-Month-Day Month/Day/Year		
			Time Zone	GMT -12:00 to GMT + 13:00		
			Time Format	24Hour / 12 Hour		
			System Time	User-definable		
			Server Address	Time.windows.com / time.nist.gov / pool.ntp.org / Define User		
			Save / Synchronize computer time / Refresh			
		Daylight Saving Time	Daylight saving time	Enable / Disable	Set by week / set by date	
			Start Time	User-definable		
			End Time	User-definable		
	Time Offset		1Hour / 2 hours			
	Save / Refresh					
	Multi-User	Customize Each user	Password (Edit)	Username	User-definable	
				Password	User-definable	
				Password Strength	User-definable	
Confirm						
Refresh						

	Maintain	Log	Log Type	System / CON. / Alarm / Account / Record / Storage / Network / All	Search	
			Start Time	User-definable		
			End Time	User-definable		
		Load Default	All / Video / Record / Event / AI / Network / Storage / System			
			Save / Refresh			
		Upgrade	Path	Search Local Files	Upgrade	
		Save / Load	Import File	Search Local Files	Import	
			Export File Name	Search Local Files	Export	
		Auto Reboot	Auto-maintenance	Enable / Disable		
			Time	Date / Week / Month		
	Mon / Tues / Wed / Thur / Fri / Sat / Sun					
	Time					
			Save / Refresh / Reboot			
	Information	Device ID				
		Device Name				
Device Type						
Hardware Version						
Software Version						
Web Version						
Mac Address						
P2P ID						
Refresh						

6.2 Customising the Day / Night Setting to IR

Once logged into the camera browser interface:-

Go To **Remote Settings > Video > Image Control > Image Settings**

e.g. Day / Night mode if want the camera to B&W & use the IR

Suggested setting : IR Cut to Auto.

The screenshot displays the Nite Devil 24C camera web interface. The top navigation bar includes 'Live', 'Playback', and 'Remote Setting' (highlighted in red), along with a warning icon and a power icon. The left sidebar menu is organized into sections: Video (Live, Image Control, Privacy Mask), Record (Encode, Record), Event (Setup, Alarm), AI (Setup, Alarm, Statistics), Network (General, Email, FTP, RTSP, DDNS, IP Filter), Storage (Disk, Audio), and System (General, Multi-User, Maintain, Information). The main content area is titled 'Image Control' and contains the following settings:

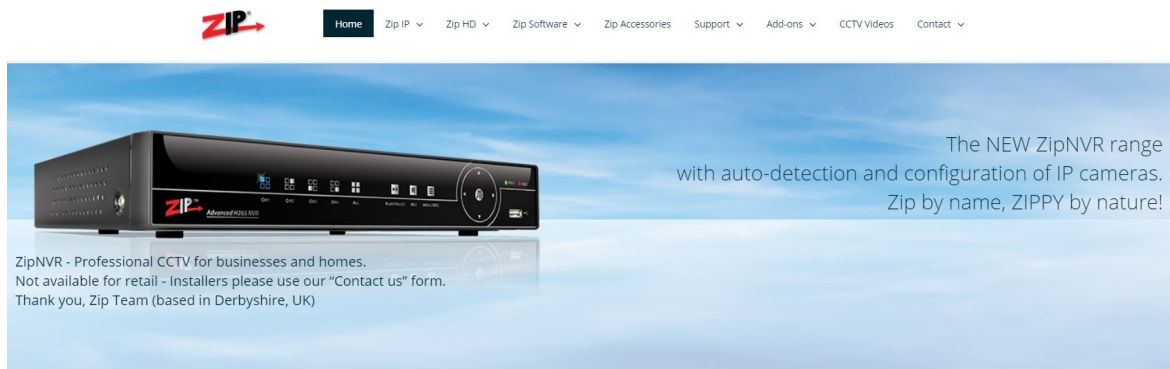
Setting	Value
Image Setting	Day/Night Mode
IR-CUT Mode	Auto
IR-CUT Delay	2
IR-LED	Manual
Light Intensity	100
— Advanced —	
Angle Trad	180
Mirror	Disable
Backlight	Disable
White Balance	Automatic mode
Shutter	Automatic mode
Time Exposure	1/8
Defog	OFF

Extra Resources

7.1 ZipNVR.com Website

The Zip NVR has a range of information on the cameras and NVRs, manuals, software, tools and support:-

www.zipdvr.com



7.2 Adding IP Cameras to a ZIP recorder

How to guide on Adding IP Cameras:-

www.zipdvr.com/howto/TIP459-How-To-Add-IP-Cameras.html

7.3 AI Setup

See the ZIP NVR full manual for more information on AI setup;

Note: AI Features will vary depending on model

Full Instruction Manual



<https://systemq.com/PDF/manual/xZIP4.pdf>

7.4 ZIP Firmware

Firmware for the zip products are available online:-

www.zipdvr.com/firmware.html

Compare the firmware in the product against that available online.

General Maintenance

- Routinely clean the camera to prevent dust build up as this can effect the performance of the camera. It is recommended to use a damp non-abrasive microfibre cloth.
- Routinely check the connections for power and data to ensure no water ingress and corrosion.
- Check that the cameras are firmly attached to the wall or mounting bracket.
- Check playback in the recorder to ensure the camera is recording and triggering properly.

Specifications

9.1 IP-CAM828

Resolution	4K (8MP) (3840 x 2160)
Lens Type	Wide Angle 3.6mm Fixed
Video Compression	H264 / H265
Bit Rate	512Kbps ~ 6Mbps
Shutter	1/5 ~ 1/20000s ~ Flickerless
Min. Illumination	Colour 24/7 with White Light LEDs
Day/Night Function	Auto or Scheduled
Microphone	Built-in
IR LEDs	1x High Power
IR Range	Up to 25m
White Light	2x High Power
White Light Range	Up to 20m
Gain Control	Auto
Video Connection	RJ45 Socket
Onvif	Yes
Protocol	TCP/IP, HTTP, DHCP, DNS, DDNS, RTP/RTSP
Other Protocols	SMTP, NTP, HTTPS
White Balance	Auto / Manual
Input Voltage	12V DC (420mA) / PoE 48V
Consumption	1.2 - 5W
Power Connection	12V – 2.1mm DC Socket / PoE – RJ45
IP Rating	IP66
Build	Metal & Plastic
Dimensions	100mm x (H) 90mm

Index

- C -

Checking and cleaning the camera 17

- D -

Day / Night Setting 14

- E -

Extra Resources and help 15

- I -

Installation 3

- L -

Login via browser interface 7

- M -

Maintenance 17

- R -

Recording 3

- S -

SD Card 3

Setup and Connection Options 5

Specification 18