



Instruction Manual

IP-PTZ650W

ZULU IP PTZ - 33x OPTICAL 5MP

© 2023 System Q Ltd

ZipNVR.com

Table of Contents

Part 1 Introduction - IP-PTZ650W	1
1 Key Features, Essential Tools and ZipFinder	1
Part 2 Connections	2
Part 3 Dimensions	3
Part 4 Mounting	4
Part 5 Setup Options	5
1 PoE ZIP NVR	5
2 Non-PoE ZIP NVR	5
Part 6 Default Login Details	6
Part 7 PTZ Controls via ZIP NVR or DVR	7
1 PTZ Controls Explained	7
2 PTZ Preset Controls	9
Part 8 Auto Tracking	11
Part 9 Preset Functions	14
Part 10 Browser Menu Settings - IP-PTZ650W	15
Part 11 Extra Resources	26
1 ZipNVR.com Website	26
2 Adding IP Cameras	26
3 ZIP Firmware	26
Part 12 Specifications - IP-PTZ650W	27
Part 13 Conditions	28
Index	0

Introduction - IP-PTZ650W

The ZULU IP-PTZ650W has a33x optical zoom with auto-focus and a 5MP (1080p) sensor.

The PTZ supports 360° endless rotation, up to 200 deg/sec pan speed, up to 100 deg/sec tilt speed. With on board features compatible with the Zip NVR and DVR.

1.1 Key Features, Essential Tools and ZipFinder

Key Features

- 5MP Low Light
- Proportional IR
- Privacy Masking
- PoE, 12V & 24V
- IP66
- True Day-Night
- FaceDetect & LineCross
- Additional RS485
- Wide Dynamic Range
- Auto-tracking
- 255 Presets 4 Tours
- Wall Bracket Inc.
- Stunning Images
- ONVIF Protocol
- Audio In & Out, and Alarm In & Out
- High End 33x Optics

Essential Tools for Install

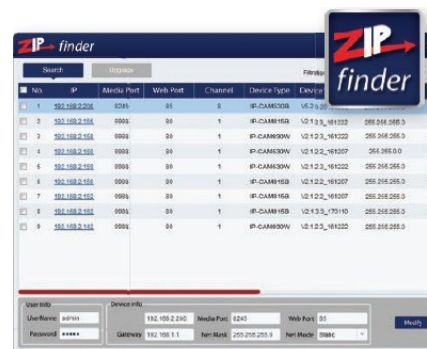
- Laptop / Windows PC
- Screwdriver
- Drill
- Hammer
- ZIP NVR or DVR
- PoE Switch / 12V DC power supply
- Ethernet CAT5/5e/6 Cable

ZipFinder - IP Camera Configuration Tool

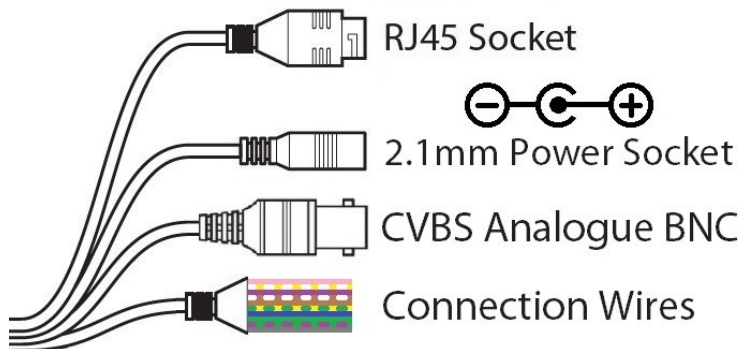
ZipFinder is a Windows PC software for discovering and configuring IP cameras a network.

Use ZipFinder on non-PoE installs, to help problem solving issues such as forgotten or unknown IP Addresses.

To download visit ZipNVR.com



Connections



Powering the camera

Option 1 - Power the camera from 12V DC / 24V AC (via the 2.1mm Power Socket).

Option 2 - Power the camera using the PoE(48V) RJ45 Socket.

When connecting to a **ZIP PoE NVR** plug the camera directly into the NVRs built in PoE switch.

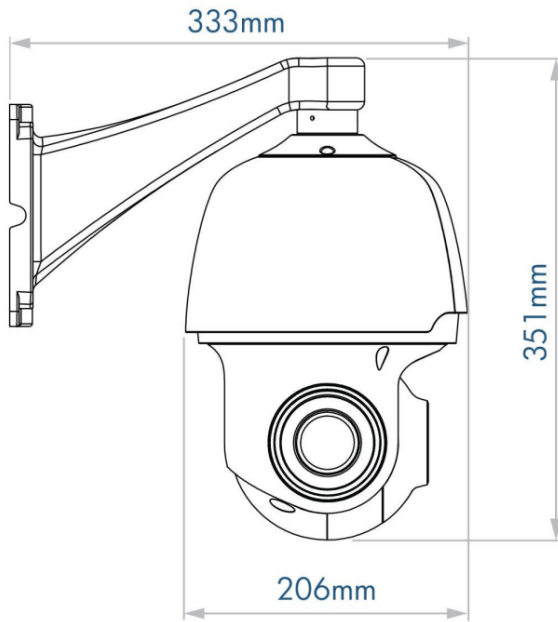
When connecting to a **ZIP Non-PoE NVR or DVR** plug the camera into a separate PoE switch

See [Setup Options](#) 

Connection Wires

AUDIO IN	 Pink
AUDIO OUT	 White/Yellow
AUDIO GND	 Purple
RS485+	 White/Brown
RS485-	 Brown
Ground	 Yellow/Green
ALARM IN	 Blue
ALARM GND	 Green/Purple
ALARM OUT+	 Green
ALARM OUT-	 Grey

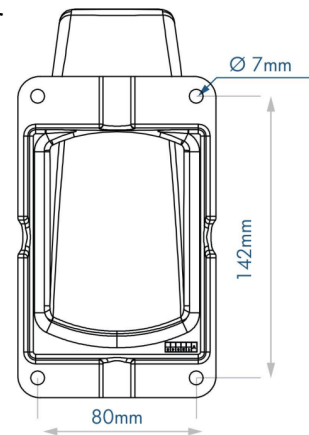
Dimensions



Mounting

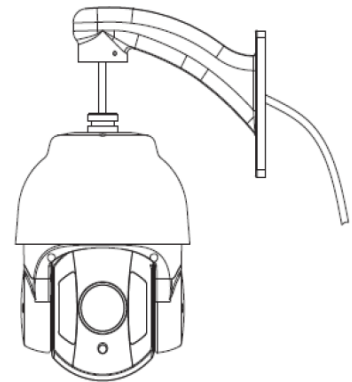
1. Mark the hole positions using the mounting bracket or using the measurements on the diagram to the right.

Drill the holes and install the wall plugs.



2. Feed the PTZ cable loom through the bracket, then secure using the short screws provided.

Attach the safety cable from the bracket to the dome.



3. Fit the PTZ to the wall using the screws provided. Ensure the PTZ cable enters via a lower position so that water does not run down to the camera.

Use silicon sealant around the base and where the cable enters the PTZ. The connections for the camera need to be installed in a waterproof box or similar.

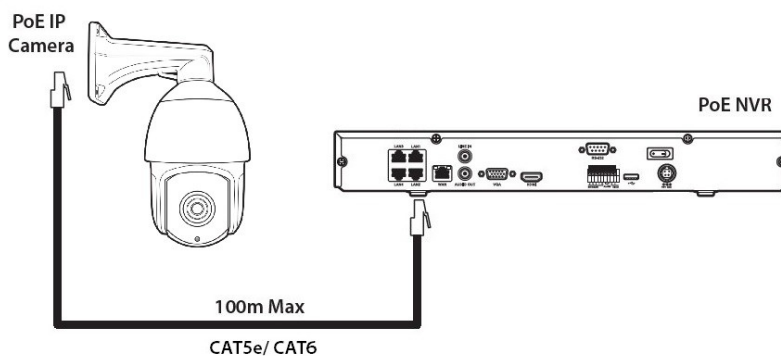
Setup Options

5.1 PoE ZIP NVR

When connecting to a **ZIP PoE NVR** plug the camera directly into the NVR's built in PoE switch.

Note:

PTZs require a higher power input than a normal camera due to the motor load, so please make sure the PoE power source is sufficient, even the ZIP PoE NVRs have a finite amount of PoE power available but on most NVRs one PTZ would be fine. We sell a PoE switch model POE606 that is perfect for IP PTZ cameras and can supply 71W per port.



The camera should automatically become visible after being connected for approximately 1 minute.

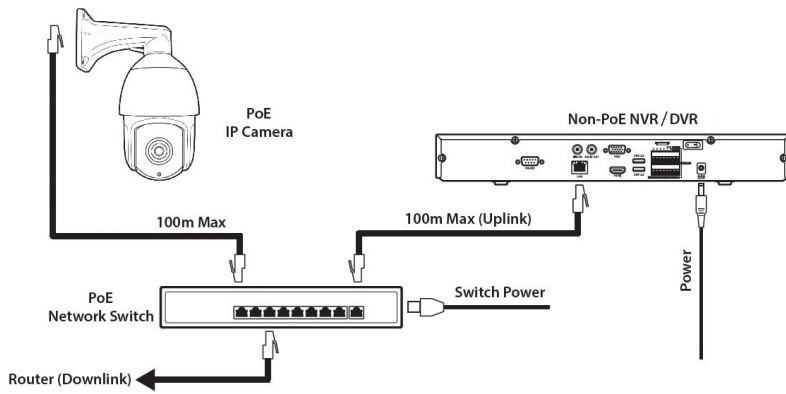
EPoE (Extended PoE)

The 100m distance for a camera can be increased when the PoE Mode is set to EPoE. In the menu on a ZIP PoE NVR go to:-

Video > IP Channels > PoE Mode

5.2 Non-PoE ZIP NVR

When connecting cameras to a **Non-PoE NVR**, they are first connected to an external network switch which is in-turn connected to the NVR as shown below.



See [Extra Resources](#) ²⁶ for more information on **Adding IP Cameras manually** to a ZIP Recorder.

Default Login Details

Default IP	192.168.10.1
User Name	admin
Password	777777
DHCP	ON

PTZ Controls via ZIP NVR or DVR

The PTZ Control screen allows for adjustment of the zoom, focus, PTZ movement and call presets or create new ones.

1. Click on the image in Live view
2. Click on the PTZ button













The camera channel can be selected using the Camera option at the top left of the screen.



7.1 PTZ Controls Explained

Icon/Control	Name	Function
	Directions	The direction buttons are used to control the left/right and up/down movement of the PTZ camera.
	Auto Cruise	Press to start 360° auto scan. The PTZ will rotate constantly until pressed again. This is compatible with all levels of speeds.
SPEED 7	Speed	Speed dictates how fast the camera moves around. Set the speed anywhere from 0 to 10 with 10 being the fastest.

Icon/Control	Name	Function
 	Zoom	Press + to zoom the camera lens in and - to zoom the camera lens out.
 	Focus	As default the camera will use the built in auto-focus, however the camera can be manually focussed by pressing +/-.
 	Aperture	As default the camera will automatically adjust its exposure with the built in iris, however Iris + and - allow you to manually open or close the camera's iris so you can control the amount of light hitting the image sensor.
	3D Position	3D positioning is an easy to use control option for the PTZ. To move the PTZ to view a certain section of the image, simply click to move the PTZ to centre the PTZ on that part of the image. Or click and drag a section of the image to have the PTZ zoom into and move to view the highlighted section of the image.
	Auto Focus	The Auto Focus button will automatically focus the camera's image.
	Reset	Clicking the Reset button will reset all the PTZ parameters back to default (all presets and tour settings will be defaulted).
	Watch Mode	Click to select to enable Watch Mode (This is configurable via the Watch Mode option).

7.2 PTZ Preset Controls

The Preset screen is where you can create presets, call presets and manage cruises.






Camera Selection

You can select which camera you want to control from the **Camera** drop down list.

Preset Controls Explained

The buttons in the left hand panel are used to position the camera when saving preset locations, creating presets, calling presets, removing presets and starting/stopping cruises. The options available and functions may vary depending on the capabilities of the PTZ itself.

Icon/Control	Name	Function
No. <input type="text" value="001"/>	Preset Number	Enter a preset number to assign a new preset position or to call an existing preset.
Time <input type="text" value="003"/>	Dwell Time	When creating a new preset position the Dwell Time determines how long the PTZ will stay in that position during a cruise.
	Set Preset	After positioning the camera, entering the preset number and dwell time press to set a preset in the Preset List.
	Clear Preset	Press to delete the last saved preset
	Go To	Press to call the preset currently showing in the Preset Number field.

Icon/Control	Name	Function
 	Start Cruise / Stop Cruise	The Start Cruise button will start to cycle through the saved preset positions in the Preset List. The PTZ will stay in each position for the defined Dwell Time then move on to the next position. The cruise will repeat until Stop Cruise is pressed.
	Show Thumbnail	Select to display the customisable "Thumbnails" for the PTZ presets, which can be assigned to each preset position.

Total

The Total number shows the total number of presets currently in Preset List.

Preset List

The Preset List displays all of the previously set and saved presets in numeric order.

PRESET

No.	Name	Time	GO TO	Add	Clear
1	point 1	015	➔	+	🗑️
2	point 2	015	➔	+	🗑️
3	point 3	015	➔	+	🗑️
4	point 4	015	➔	+	🗑️
5	point 5	015	➔	+	🗑️
6	point 6	015	➔	+	🗑️

No.: This column shows the Preset Number.

Time: The Time column shows how long the camera will stay in the preset position before moving on to the next position during a cruise.

Go To: Clicking the arrow icon in the Go To column will move the camera to the preset position.

Add: Click the add button to save the current position of the PTZ image to that preset.

Clear: The Clear button allows you to delete the a preset from the Preset List.

Auto Tracking

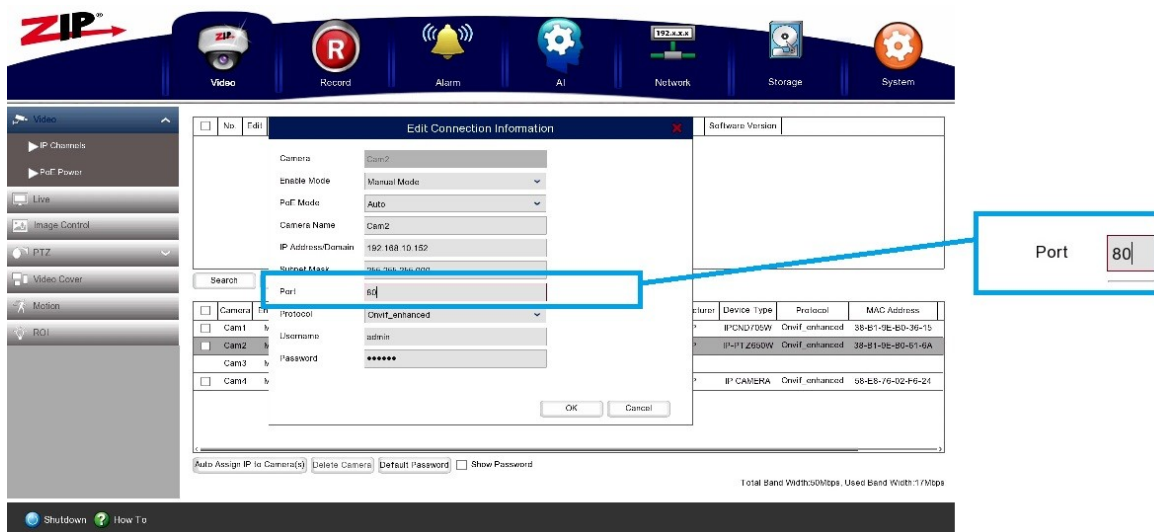
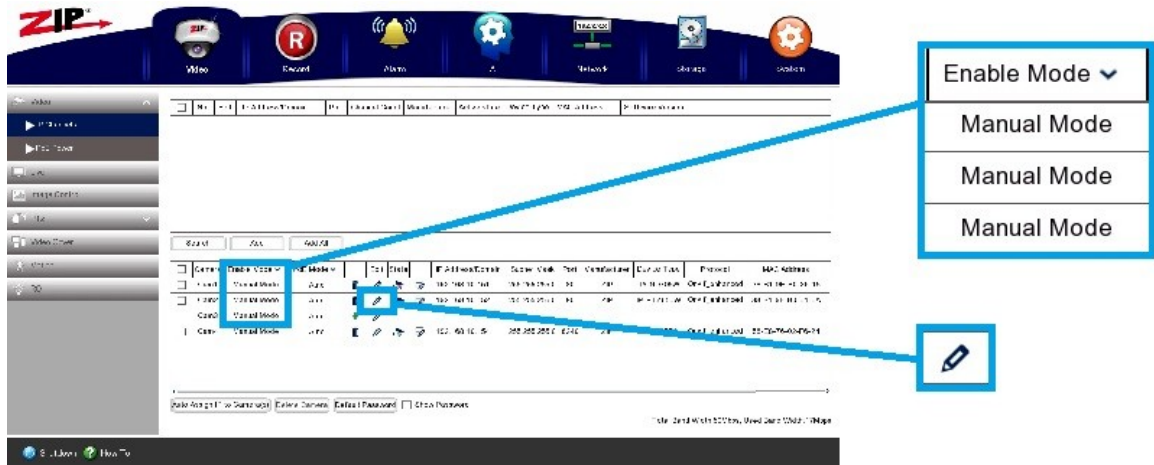
For the IP-PTZ650W to perform "Auto-tracking" the PTZ requires AI/ smart setup, the PTZ uses the person detection iSENSE AI feature for detecting and tracking people.

See the below steps for enabling the auto tracking with person detection in a ZIP NVR menu.

1. Ensure the camera is added to the NVR via port **80**. Check this in **Video > Video > IP Channels**.

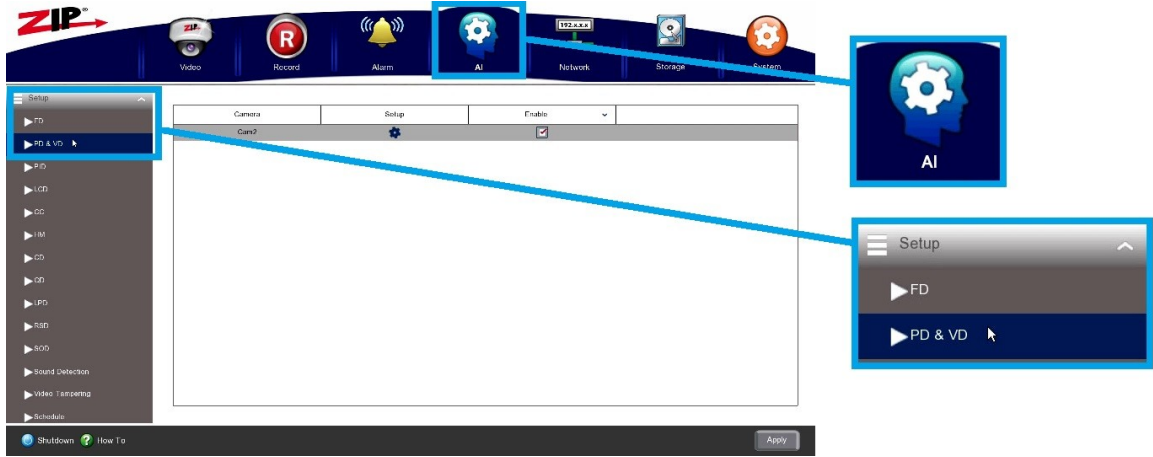
Note:

In order to edit the port number to port **80**, set the **Enable Mode to Manual Mode**, then select the **Edit "Pencil" icon** to edit the port.



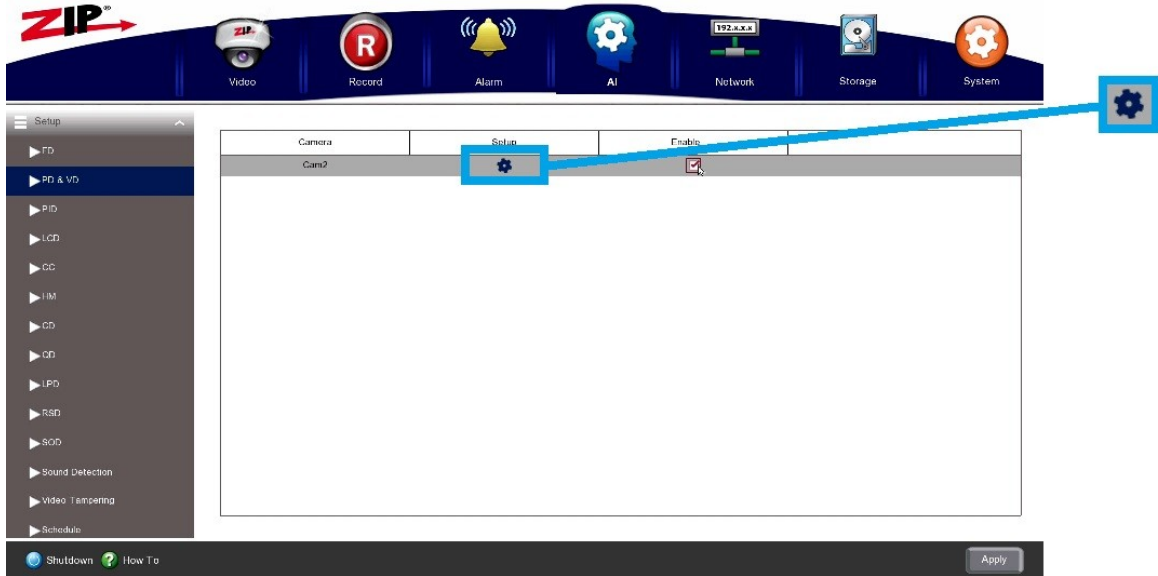
2. Enter the menu on the recorder, select **AI > Setup > PD & VD**.

Note: For older recorders which have iSENSE Lite (e.g SUPA-S recorders) then go to **Video > Smart > PD**



3. Select the **Enable** "tick" option to turn the person detection on for the PTZ camera channel, then select **Apply**.

4. Select the Setup "Cog" option to edit the detection settings.



5. See the below recommended settings as default for auto tracking with the IP-PTZ650W;

Snap Mode	Default - This will trigger when the subject first enters the field of view.
Min Pixel	64 - Set to the suitable smallest size a person would be in the field of view.
Max Pixel	1080
Sensitivity	80 - Recommended to increase the sensitivity to 80
Detection Type	Pedestrian - Auto tracking performs best when used with Pedestrians only, stationary vehicles can cause false triggers.
Detection Mode	Static Mode
Detection Area	Full Screen
Visable Area	Enable
Link Auto PTZ Tracking	Tick (Enable)

Note;

The settings above **may not be suitable** for all applications, these may need to be tweaked in order to achieve successful detection and tracking.

For example the Minimum pixel size may need to be adjusted bigger as some objects which are very similar to an outline of a person (but are smaller) can cause false triggers.

Ensure the minimum pixel size is the smallest size of a person would be in the general area.

Camera: Cam2

Snap Mode: Default

Min Pixel: 64 (64-1080)

Max Pixel: 1080 (320-1080)

Sensitivity: 60 (1-100)

Detection Type: Pedestrian Vehicle

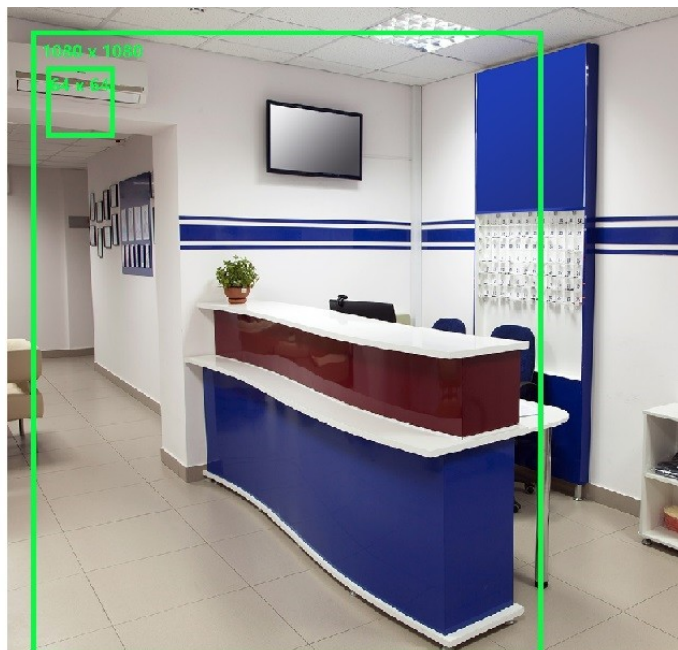
Detection Mode: Motion Mode

Detection Area: Full Screen

Visible Area: Enable

Link Auto PTZ Tracking:

Save



Preset Functions

Specific presets are programmed into the camera as default for actions below;

Preset No.	Action
200	Start Tour 1
201	Start Tour 2
202	Start Tour 3
203	Start Tour 4
204	Start Pattern 1
205	Start Pattern 2
206	Start Pattern 3
207	Start Pattern 4
208	Start Pattern 1 Recording
209	Start Pattern 2 Recording
210	Start Pattern 3 Recording
211	Start Pattern 4 Recording
212	Stop Pattern Recording
213	Set Line Scan Start Point
214	Set Line Scan End Point
215	Start Line Scan at Low Speed
216	Start Line Scan at Medium Speed
217	Start Line Scan at High Speed
218	Start Default Cruise (360° Scan)

Browser Menu Settings - IP-PTZ650W

The menu be configured directly in the browser interface of the camera (standalone), in Remote Setting you will find the menu settings.

Channel	Live	Name	Customise Name		
		Date Format	DD/MM/YYYY / MM/DD/YYYY / YYYY/MM/DD		
		Time Format	24Hour / 12Hour		
		Flicker Control	50Hz / 60Hz		
		Transparency	1 ~ 128 (Default 64)		
		Show Name	Untick / Tick		
		Show Time	Untick / Tick		
		Refresh / Save			
		Image Control	IR-CUT Mode	Automatic Mode / Colour Mode / Black White Mode / Schedule (B/W)	
	Angle Rotation		180 / 0		
	Mirror		Untick / Tick		
	Exposure Compensation		Disable / HLC / BLC / WDR		
	White Balance		Auto / Manual / Indoor		
	Shutter		Automatic Mode / Manual / Shutter First / Iris First		
	Iris Max		0 ~ 100 (Default 100)		
	Iris Min		0 ~ 100 (Default 0)		
	Exposure (Max)		1/5 / 1/8 / 1/15 / 1/25 / 1/50 / 1/100 / 1/150 / 1/180 / 1/200 / 1/240 / 1/250 / 1/300 / 1/360 / 1/480 / 1/500 / 1/600 / 1/700 / 1/1000 / 1/1500 / 1/2500 / 1/5000 / 1/10000 / 1/12000 / 1/20000		
	Exposure (Min)		1/5 / 1/8 / 1/15 / 1/25 / 1/50 / 1/100 / 1/150 / 1/180 / 1/200 / 1/240 / 1/250 / 1/300 / 1/360 / 1/480 / 1/500 / 1/600 / 1/700 / 1/1000 / 1/1500 / 1/2500 / 1/5000 / 1/10000 / 1/12000 / 1/20000		
	Defog Mode		Automatic Mode / Manual / OFF		
	3D Noise Reduction		Auto / Disable / Manual		
	Refresh / Save / Default				
	Privacy Mask		Privacy Mark	Untick / Tick	
			Refresh / Save		
	ROI	Stream Type	MainStream / SubStream / MobileStream		
		Region ID	1 ~ 8		

	PTZ	Enable Region	Disable / Enable		
		ROI Level	Lowest / Lower / Low / Medium / Higher / Highest		
		Non-ROI Fps (1-19)	12		
		Refresh / Save			
		Protocol	Pelco-D / Pelco-P		
		Baudrate	9600 / 1200 / 2400 / 4800		
		Data Bit	8 / 7 / 6 / 5		
		Stop Bit	1 / 2		
		Parity	None / Odd / Even / Mark		
		Address	Non-Editable		
Focus mode	Semi-auto / Auto / Manual				
Refresh / Save					
Record	Encode	Mainstream	Resolution	2592x1944 / 2592x1520 / 2048 x 1536 / 2304x1296 / 1920x1080 / 1280 x 720 / 1280x720	
			FPS	1 ~ 20 (Default 20)	
			Video Code Type	H.265 / H.264	
			Video Code Level	Main Profile	
			Bitrate Control	CBR / VBR	
			Bitrate	256 / 320 / 384 / 448 / 512 / 640 / 768 / 896 / 1024 / 1280 / 1536 / 1792 / 2048 / 3072 / 4096 / 5120 / 6144 / 8192	
			I Frame Interval	1 ~ 80 (Default 40)	
			Audio	Enable / Disable	
			Refresh / Save		
			Substream	Resolution	1280x720 / 640x480 / 320x240
		FPS		1 ~ 20 (Default 20)	
		Video Code Type		H.265 / H.264	

			Video Code Level	Main Profile
			Bitrate Control	CBR / VBR
			Bitrate Mode	Predefined / User Defined
			Bitrate	128 / 160 / 192 / 224 / 256 / 320 / 384 / 448 / 512 / 768 / 1024 / 1536 / 2048 / 3072 / 4096
			Audio	Untick / Tick
			I Frame Interval	1 ~ 80 (Default 50)
			Refresh / Save	
		Mobilestream	Enable	Enable / Disable
		Resolution	640x480 / 320x240	
		FPS	1 ~ 20 (Default 20)	
		Video Code Type	H.265 / H.264	
		Video Code Level	Main Profile	
		Bitrate Control	CBR / VBR	
		Bitrate Mode	Predefined / User Defined	
	Bitrate	128 / 160 / 192 / 224 / 256 / 320 / 384 / 448 / 512 / 768 / 1024 / 1536 / 2048 / 3072 / 4096		
	Audio	Untick / Tick		
	I Frame Interval	1 ~ 80 (Default 50)		
	Refresh / Save			
	Record	Stream Mode	MainStream / SubStream	
		Record	Tick / Untick	
PreRecord		Tick / Untick		
Normal Schedule	Customise Schedule			
	Refresh / Save / Default			
Event Schedule	Customise Schedule			
	Refresh / Save / Default			
Event	Setup	Motion	Enable	Enable / Disable
			Sensitivity	1 ~ 8 (Default 3)

		Sound Detection	Enable	Enable / Disable	
			Rise	Disable / Enable	
			Rise Sensitivity	1 ~ 100 (Default 50)	
			Sound Intensity	1 ~ 100 (Default 50)	
			Decline	Disable / Enable	
			Decline Sensitivity	1 ~ 100 (Default 50)	
			Save / Schedule / Refresh		
		Video Tampering	Enable	Enable / Disable	
			Sensitivity	1 ~ 6 (Default 3)	
			Refresh / Save		
		Alarm	Motion	Latch Time	5s / 10s / 20s / 30s
				Post Recording	OFF / 5s / 10s / 20s / 30s
				Send Email	Enable / Disable
	FTP Picture Upload			Enable / Disable	
Cloud Picture	Enable / Disable				
Alarm Out	Enable / Disable				
Enable Record	Enable / Disable				
Event Report	Enable / Disable				
Save / Schedule / Refresh					
I/O	Alarm Type			OFF / Normally-Open / Normally-Close	
	Latch Time			5s / 10s / 20s / 30s	
	Post Recording			OFF / 5s / 10s / 20s / 30s	
	Send Email			Enable / Disable	
	FTP Picture Upload		Enable / Disable		
	Cloud Picture	Enable / Disable			

			Alarm Out	Enable / Disable	
			Enable Record	Enable / Disable	
			Event Report	Enable / Disable	
			Save / Schedule / Refresh		
	Sound Detection	Alarm Type	OFF / Normally-Open / Normally-Close		
		Latch Time	5s / 10s / 20s / 30s		
		Post Recording	OFF / 5s / 10s / 20s / 30s		
		Send Email	Enable / Disable		
		FTP Picture Upload	Enable / Disable		
		Cloud Picture	Enable / Disable		
		Alarm Out	Enable / Disable		
		Enable Record	Enable / Disable		
		Event Report	Enable / Disable		
			Save / Schedule / Refresh		
		Video Tampering	Latch Time	5s / 10s / 20s / 30s	
			Send Email	Enable / Disable	
	FTP Picture Upload		Enable / Disable		
	Cloud Picture		Enable / Disable		
	Alarm Out		Enable / Disable		
	Alarm Out		Enable / Disable		
			Save / Schedule / Refresh		
	Event Push	Enable	Enable / Disable		
		Name	Customise		
		Push Way	HTTP / UDP		
		Username	Customise		
		Password	Customise		
		Server Address	Customise		
		Port	Customise (Default 123)		
		URL	API/AlarmEvent/EventPush		

		Method	POST / GET
		Interval	OFF / 1 Min / 5 Min / 10 Min
		Save / Refresh	
AI – Setup	FD (Face Detection)	Enable	Enable / Disable
		Dynamic Marking	Enable / Disable
		Face Enhance	Optimal Mode / Realtime Mode / Interval Mode
		Apply Mode	Frontal View / Multi View / Customize
		Min Pixel	32 ~ 1080 (Default 64)
		Max Pixel	320 ~ 1080 (Default 640)
		Detection Mode	Static Mode / Motion Mode
		Rule Kind	Rect / Line
		Detection Range	Full Screen / Customize
		Save / Refresh	
	PD & VD (Person & Vehicle Detection)	Enable	Enable / Disable
		Sensitivity	0 ~ 100 (Default 60)
		Dynamic Marking	Enable / Disable
		Snap Mode	Default / Realtime Mode / Interval Mode
		Min Pixel	64 ~ 1080 (Default 64)
		Max Pixel	320 ~ 1080 (Default 640)
		Detection Type	Pedestrian & Vehicle / OFF / Person / Vehicle
		Detection Mode	Motion Mode / Static Mode
		Detection Range	Full Screen / Customize
		Save / Refresh	
	PID (Perimeter Intrusion Detection)	Enable	Enable / Disable
		Sensitivity	1 to 4 (Default 2)
		Dynamic Marking	Enable / Disable
		Detection Type	Motion / Pedestrian & Vehicle / Person / Vehicle
		Rule Number	1 to 4
		Rule Enable	Enable / Disable
		Rule Type	A→B / B→A / A←→ B
		Save / Refresh	
	LCD (Line Crossing Detection)	Enable	Enable / Disable
		Sensitivity	1 to 4 (Default 2)
		Dynamic Marking	Enable / Disable
		Detection Type	Motion / Pedestrian & Vehicle / Person / Vehicle

		Rule Number	1 to 4
		Rule Enable	Enable / Disable
		Rule Type	A→B / B→A / A←→ B
		Save / Refresh	
	SOD (Stationary Object Detection)	Enable	Enable / Disable
		Sensitivity	1 to 4 (Default 2)
		Dynamic Marking	Enable / Disable
		Rule Number	1 to 4
		Rule Enable	Enable / Disable
		Rule Type	Legacy / Lost / Lost & Legacy
		Save / Refresh	
	CC (Cross Counting)	Enable	Enable / Disable
		Sensitivity	1 to 4 (Default 2)
		Dynamic Marking	Enable / Disable
		Type	Person / Motion / Vehicle
		Alarm Number	1 to 255
		Start Time	User definable
		End Time	User definable
		Rule Number	1
		Rule Enable	Enable / Disable
Rule Type		A→B / B→A	
Save / Refresh / Reset Count			
HM (Heat Map)	Enable	Enable / Disable	
	Rule Number	1	
	Rule Enable	Enable / Disable	
	Save / Refresh		
Tracking	Tracking Zoom Ratio	1 ~ 33 (Default 1)	
	Tracking Duration	1 ~ 300 (Default 60)	
	Save / Refresh		
AI – Alarm	FD / PID / LCD / SOD / CC	Latch Time	5s / 10s / 20s / 30s
		Post Recording	OFF / 5s / 10s / 20s / 30s
		Send Email	Enable / Disable
		FTP Picture Upload	Enable / Disable
		Cloud Picture	Enable / Disable
		Alarm Out	Enable / Disable
		Enable Record	Enable / Disable
		Event Report	Enable / Disable
		Save / Schedule / Refresh	
	PD&VD	Latch Time	5s / 10s / 20s / 30s
		Post Recording	OFF / 5s / 10s / 20s / 30s
		Send Email	Enable / Disable

		FTP Picture Upload	Enable / Disable
		Cloud Picture	Enable / Disable
		Alarm Out	Enable / Disable
		Enable Record	Enable / Disable
		Event Report	Enable / Disable
		Link Auto PTZ Tracking	Enable / Disable
		Save / Schedule / Refresh	
Network	General	DHCP	Enable / Disable
		IP Address	192.168.10.1 Test
		Subnet Mask	255.255.255.0
		Gateway	192.168.10.254
		IPv6 DHCP	-
		IPv6 Address	-
		IPv6 Gateway	-
		DNS 1	192.168.10.254
		DNS 2	-
		IPv6 DNS 1	192.168.10.254
		IPv6 DNS 2	-
		Multicast Main stream	Enable / Disable
		Video Encryption Transmission	Enable / Disable
		Save / Refresh	
		PPPoE	Enable PPPoE
	Username		User-definable
	Password		
	IP Address		
	Save / Refresh		
	SNMP	Enable	Enable / Disable
		SNMP Version	User-definable
		SNMP Port	
		Read Community	
		Write Community	
		Trap IP Address	
		Trap Port	
		Save / Refresh	
	Port Configuration	HTTP Port	Enable / Disable
		Client Port	User-definable
		HTTPS Port	
		RTSP Port	
Muticast Port		1024 – 65535	
P2P Enable		Enable / Disable	
Save / Refresh			

	Email	Email	Enable / Disable
		Encryption	Disable / SSL / TLS / Auto
		SMTP Port	25 / Customise
		SMTP Server	Customise
		User Name	
		Password	
		Sender Email	
		Receiver1	
		Receiver2	
		Receiver3	
		Interval	1Min / 3Min / 5Min / 10Min
	Refresh / Save / Test		
	FTP Settings	FTP Enable	Untick / Tick
		Server	Customise
		Port	21 / Customise
		Username	Customise
		Password	
		DIR Name	
		Transfer Images	Untick / Tick
		Refresh / Save	
	RTSP Port	RTSP	Tick / Untick
		RTSP Port	1240 / Customise
		Anonymous Login	Untick / Tick (No username or password required)
		Instruction: rtsp://IP:Port/ch01/A A:0(MainStream), 1(SubStream), 2(MobileStream)	
		Refresh / Save	
	DDNS	DDNS	Untick / Tick
		Server	NO_IP / DYNDNS
		Host Name	Customise
		Username	
		Password	
		Refresh / Save	
	HTTPS	Certificate Type	Default / Custom
		Refresh / Save	
IP Filter	Enable	Enable / Disable	
	Filter Mode	Allow all IP connections / Allow the selected IP connections / Block the selected IP connections	
	Refresh / Save		
Storage	Disk	Disk Information	
		Refresh / Save / Format Hard Disk	
	Audio	Enable Audio	Tick / Untick
		Output Volume	0 ~ 10 (Default 5)
		Input Volume	0 ~ 10 (Default 5)
		Audio Code Type	G711A / G711U / G726 16K

		Refresh / Save		
	Cloud	Cloud Storage	Enable / Disable	
		Cloud Type	Dropbox	
		Driver Name	Customise (Default IP-PTZ650W)	
		Refresh / Save / Activate Cloud		
System	General	Date and Time	Time Setting mode	Static / NTP server synchronization
			Date Format	Day/Month/Year Year-Month-Day Month/Day/Year
			Time Zone	GMT -12:00 to GMT + 13:00
			Time Format	24Hour / 12 Hour
			System Time	User-definable
			Server Address	Time.windows.com / time.nist.gov / pool.ntp.org / Define User
			Save / Synchronize computer time / Refresh	
		Daylight Saving Time	Daylight saving time	Enable / Disable
			Start Time	User-definable
			End Time	User-definable
	Time Offset		1Hour / 2 hours	
	Save / Refresh			
	Multi-User	Customize Each user	Password (Edit)	Username
				Password
				Password Strength
				Confirm
	Refresh			
	Maintain	Log	Log Type	System / CON. / Alarm / Account / Record / Storage / Network / All
				Start Time
			End Time	User-definable
		Load Default	All / Video / Record/ Event / AI / Network/ Storage / System	
			Save / Refresh	
		Upgrade	Path	Search Local Files

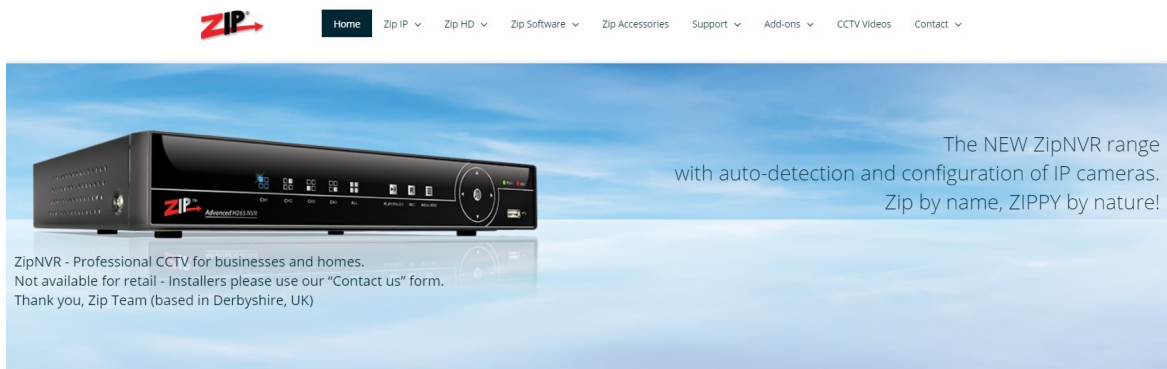
		Save / Load	Import File	Search Local Files
			Export File Name	Search Local Files
		Auto Reboot	Auto-maintenance	Enable / Disable
				Date / Week / Month
			Time	Mon / Tues / Wed / Thur / Fri / Sat / Sun
				Time
	Save / Refresh / Reboot			
	Information	Device ID		
		Device Name		
		Device Type		
		Hardware Version		
		Software Version		
		Web Version		
Mac Address				
P2P ID				
Refresh				

Extra Resources

11.1 ZipNVR.com Website

The Zip NVR has a range of information on the cameras and NVRs, manuals, software, tools and support:-

www.zipdvr.com



11.2 Adding IP Cameras

How to guide on Adding IP Cameras:-

www.zipdvr.com/howto/TIP459-How-To-Add-IP-Cameras.html

11.3 ZIP Firmware

Firmware for the ZIP products are available online:-

www.zipdvr.com/firmware.html

Compare the firmware in the product against that available online.

Specifications - IP-PTZ650W

Image Sensor	1/ 2.7" Progressive CMOS
Resolution	5MP (2592x1944)
Lens Type	33X Optical Zoom (4.3mm – 141.9mm)
Angle of View	57° Wide x 2.4° Telephoto
Shutter	1/5 ~ 1/20000s
Day/Night	Mechanical (True Day-Night)
Min. Illumination	AGC On: Color: 0.005 lux, B/W: 0.0001 lux, 0 lux with IR
Video Compression	H.264 / H.265
Video Output	CVBS (Analogue) BNC Output
Alarm	1 Input / 1 Output
Audio (RCA)	1 Input / 1 Output
Connection	RJ45 10M / 100M Ethernet PoE
Protocols	TCP/IP, HTTP, DHCP, DNS, DDNS, RTSP, PPPoE, SMTP, NTP, UPnP, FTP
User Logins	Max 5 Simultaneous User Logins
PTZ Control	RS485 or Ethernet PTZ Control
IR Range	Up to 150m
Backlight Control	BLC / D-WDR
Pan Range	360°endless
Presets	255
Preset Speed	Max. 200°/sec
Use	IP66 For External Use
Operating Temperature	-30°C~+60°C
Weight	Approximately 2kg
Input Voltage	PoE (48V) / 24V AC / 12V DC

Conditions

All specifications are approximate. System Q Ltd reserves the right to change any product specifications or features without notice. Whilst every effort is made to ensure that these instructions are complete and accurate, System Q Ltd cannot be held responsible in any way for any losses, no matter how they arise, from errors or omissions in these instructions, or the performance or non-performance of the equipment that these instructions refer to.



This symbol on the products and/or accompanying documents means that used electronic equipment must not be mixed with general household waste. For treatment, recovery and recycling please return this unit to your trade supplier or local designated WEE/CG0783SS collection point as defined by your local council.

© Copyright 2020

Zip is a registered trademark of System Q Ltd, Chesterfield. Derbyshire. S40 2WB