



Instruction Manual

IPCA1915

© 2023 System Q Ltd

ZipNVR.com

Table of Contents

Introduction	3
Key Features - IPCAI915 & IPCAI918	3
Essential Tools and ZipFinder	3
Mounting and SD Card Installation	5
Bullet	5
Setup Options	6
PoE ZIP NVR	6
Non-PoE ZIP NVR	7
Setup and AI Features	8
PID = Perimeter Intrusion Detection	10
LCD = Line Crossing Detection	12
PD & VD = Pedestrian Detection and Vehicle Detection	14
FD = Facial Detection	17
AI Setup	20
IPCAI915 / IPCAI918 Browser Menu Settings	21
Motorised Zoom & Focus	31
ZIP NVR and DVR	31
Standalone	31
Extra Resources	32
ZipNVR.com Website	32
Adding IP Cameras	32
ZIP Firmware	32
General Maintenance	33
Specification	34
IPCAI915	34

Introduction

The ZIP AI Cameras provide triggering with smart detection features such as line crossing, pedestrian detection, facial detection.

Only one smart detection feature can be enabled at any given time.

Facial recognition can be set when connected to a compatible ZIP NVR with iSENSE firmware.

In order to use the ZIP AI cameras with a ZIP NVRs the latest iSENSE firmware is required, please see [Extra Resources](#)³².

1.1 Key Features - IPCAI915 & IPCAI918

- Alarm input and output
- Audio input and output
- Supports H264 and H265
- Supports ONVIF (Profile S, Profile G, Profile T)
- Micro SD Slot
- Built-in ANPR
- Privacy Mask
- Pedestrian and vehicle detection
- Facial detection
- Motion Detect
- IP66
- NDAA Compliant

1.2 Essential Tools and ZipFinder

To install this product you will need:

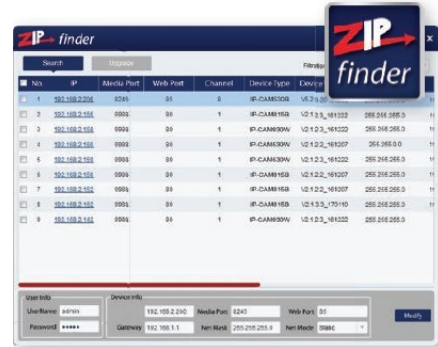
- Laptop / Windows PC
- Screwdriver
- Drill
- Hammer
- ZIP NVR or DVR
- PoE Switch / 12V DC power supply
- Ethernet CAT5/5e/6 Cable

ZipFinder - IP Camera Configuration Tool

ZipFinder is a Windows PC software for discovering and configuring IP cameras a network.

Use ZipFinder on non-PoE installs, to help problem solving issues such as forgotten or unknown IP Addresses.

To download visit ZipNVR.com



Mounting and SD Card Installation

Note:-
IPCAI020 does not have an SD card slot.

For local recording on the camera itself an SD card must be installed.

Recording time will vary dependent upon: SD card size and encoding settings

32GB SD Card ≈ 31 hours

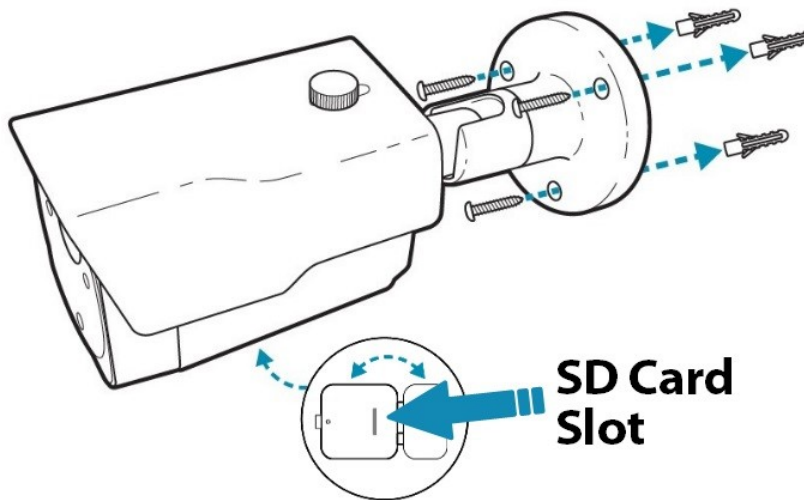
64GB SD Card ≈ 62 hours

128GB SD Card (MAX) ≈ 124 hours

The camera can be set to only record when triggered via *motion detection*, *alarm input* or *AI smart*, this maximises the recording time achievable.

Remove power from the camera when inserting / removing the SD card.

2.1 Bullet



A template is provided in the box for marking the hole positions for the fixing screws.

Setup Options

3.1 PoE ZIP NVR

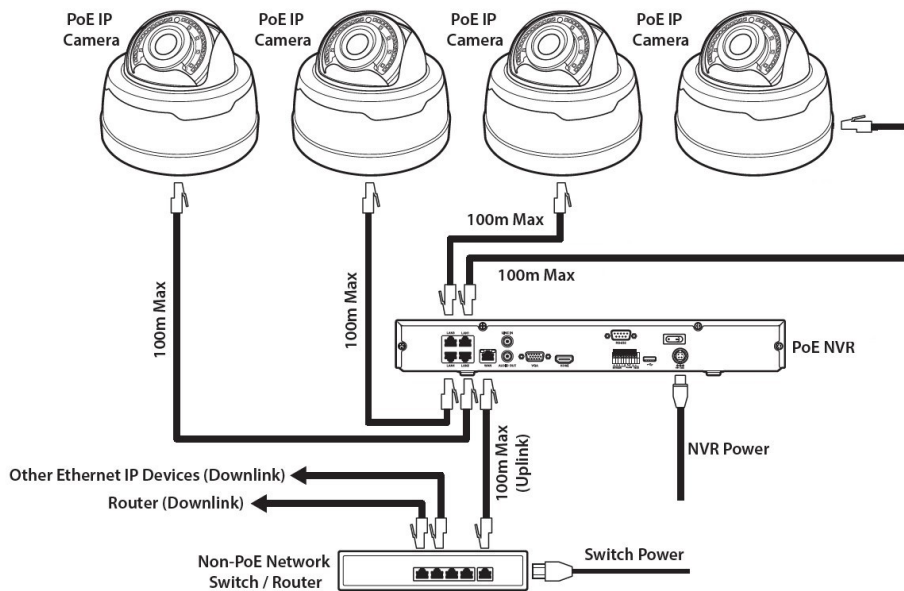
When connecting to a **ZIP PoE NVR** plug the camera directly into the NVR's built in PoE switch.

The camera should automatically become visible after being connected for approximately 1 minute.

The 100m distance for a camera can be increased when the PoE Mode is set to EPoE.

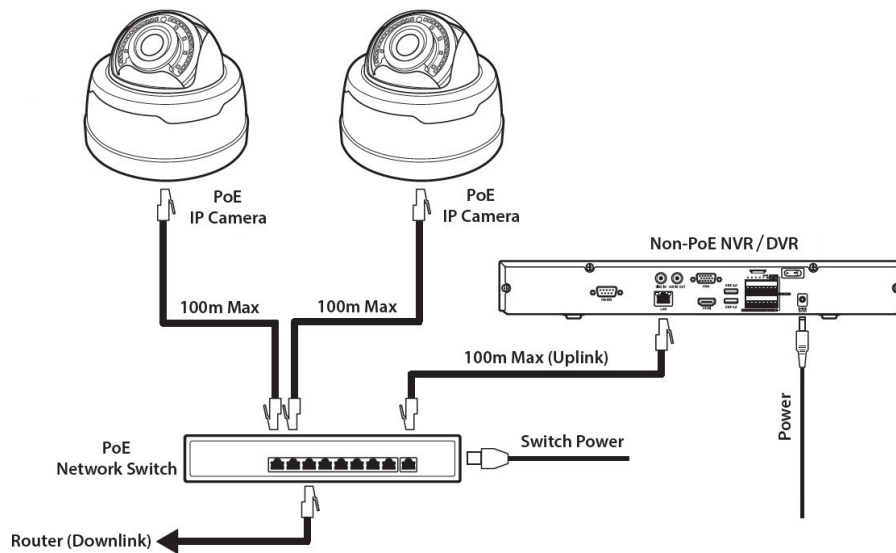
In the menu on a ZIP PoE NVR go to:-

Video > IP Channels > PoE Mode



3.2 Non-PoE ZIP NVR

When connecting cameras to a **Non-PoE NVR**, they are first connected to an external network switch which is in-turn connected to the NVR as shown below.



See [Extra Resources](#) ³² for more information on **Adding IP Cameras manually** to a ZIP Recorder.

Setup and AI Features

The AI smart features can be configured in a ZIP recorder or directly in the browser interface of the camera (standalone)

Only one smart detection feature can be enabled at any given time.

See the NVR or DVR manual for information on configuring these features with a ZIP recorder.

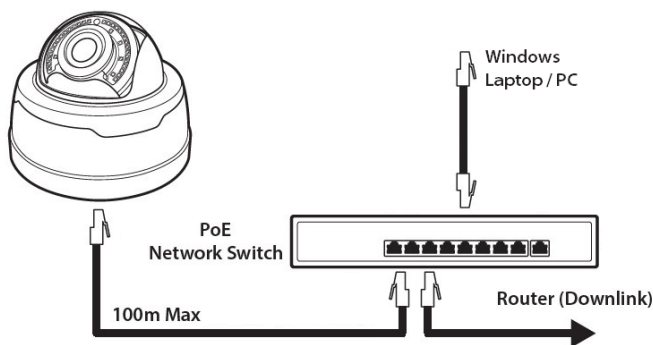
Follow the steps below for configuring the settings directly in the camera via a browser for standalone setup.

You will need...

- Windows Based PC/ Laptop connected to router/ PoE switch
- ZipVision Pro App on Mobile Device
- PoE Switch connected to Network/ Router
- Ethernet network cable
- [ZipFinder](#) software, available via this link below:-

www.softctv.com/store/Item/Zip-Finder-IP-CCTV-Security-Camera-Discovery-Tool

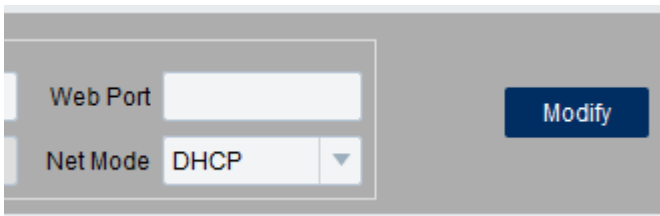
1. Plug the camera's RJ45 port with a network cable into a PoE switch



2. Using ZipFinder on a Windows Based PC/ Laptop **Search** and then tick the camera



3. Select Net Mode = **DCHP**, then click **Modify**



4. **Search** again, to get the updated IP address.

5. **Select** the IP address of the camera, Internet Explorer will pop-up, and ask to download and install the plug-in.

6. **Download, install** and follow the steps for the plug-in installation, then re-load the browser by **selecting** the IP address again.

5. Login to the IP Camera, the **default** login details are:-

User Name	admin
Password	777777

6. Go to **Remote Setting > Smart > Detection**

4.1 PID = Perimeter Intrusion Detection

Perimeter intrusion detection can be set to trigger an alarm event when movement is detected in a set area.

Smart ▸ Detection

PID
LCD
PD&VD
FD

Name Perimeter Intrusion Detection (PID)

Switch

Latch Time

Post Recording

Sensitive

Scene

Alarm Out

Send Email

Detection Type Pedestrian Vehicle


Rule Number

Rule Switch

Rule Type

Enable Record

Refresh
Save



Clear
Clean All

Key Settings

Switch - Tick to enable this feature.

Un-Tick to disable this feature.

Latch Time - This determines how long the alarm event is deemed to be activate once triggered. Options are 5, 10, 20 and 30 seconds.

Post Recording - This determines how long the camera will record for after the alarm event has ended. Options are 5, 10, 20 and 30 seconds.

Sensitivity - Determines how much activity or movement is required to generate an event. Options are **1 - 4**.

1 = Lowest sensitivity level, a significant amount of movement is needed to trigger

4 = Highest sensitivity level, only a small amount of moment is needed to trigger

Scene - Set for light level location to improve detection. Options are indoor or outdoor.

Send Email - Email alert via SMTP can be triggered and send a snapshot image of the event. *Note:- Email Settings required to be set up in Network Menu for this feature.*

Rule Number - Up to 4 areas can be set independently in the image area. Use this to enable / disable each of the 4 rules.

Rule Switch - Tick to enable or disable the detection that rule for the rule number selected.

Rule Type - The determines how the direction of moment over the perimeter is handled.

A to B (A->B) = Only movement in the direction A to B will trigger.

B to A (B->A) = Only movement in the direction B to A will trigger.

A or B (A<->B) = Any moment direction over the perimeter will trigger.

Enable Record - Tick to enable recording when the event is triggered.


Un-Tick to disable recording when the event is triggered.

4.2 LCD = Line Crossing Detection

Line crossing detection can be set to trigger an alarm event when movement is detected across a custom line

Smart ▶ LCD

PID
LCD
PD&VD
FD

<p>Name</p> <p>Switch</p> <p>Latch Time</p> <p>Post Recording</p> <p>Sensitive</p> <p>Scene</p> <p>Alarm Out</p> <p>Send Email</p> <p>Detection Type</p> <p>Rule Number</p> <p>Rule Switch</p> <p>Rule Type</p> <p>Enable Record</p>	<p>Line Crossing Detection (LCD)</p> <p><input checked="" type="checkbox"/></p> <p>5S</p> <p>5S</p> <p>2</p> <p>Indoor</p> <p><input checked="" type="checkbox"/></p> <p><input type="checkbox"/> Pedestrian <input type="checkbox"/> Vehicle</p> <p>1</p> <p><input type="checkbox"/></p> <p>A → B</p> <p><input type="checkbox"/></p>	 <p>Clear Clean All</p>
--	---	--

Key Settings

Switch - Tick to enable this feature.

Un-Tick to disable this feature.

Latch Time - This determines how long the alarm event is deemed to be activate once triggered. Options are 5, 10, 20 and 30 seconds.

Post Recording - This determines how long the camera will record for after the alarm event has ended. Options are 5, 10, 20 and 30 seconds.

Sensitivity - Determines how much activity or movement is required to generate an event. Options are **1 - 4**

1 = Lowest sensitivity level, a significant amount of movement is needed to trigger

4 = Highest sensitivity level, only a small amount of moment is needed to trigger

Scene - Set for light level location to improve detection. Options are indoor or outdoor.

Send Email - Email alert via SMTP can be triggered and send a snapshot image of the event. *Note:- Email Settings required to be set up in Network Menu for this feature.*

Detection Type - Tick to enable, options are pedestrian, vehicle. (Both can be enabled simultaneously)

Rule Number - Up to 4 areas can be set independently in the image area. Select the number to control the setting of that specific area.

Rule Switch - Tick to enable or disable the detection that rule for the rule number selected.

Rule Type - The determines how the direction of moment over the perimeter is handled.

A to B (A->B) = Only movement in the direction A to B will trigger.

B to A (B->A) = Only movement in the direction B to A will trigger.

A or B (A<->B) = Any moment direction over the perimeter will trigger.

Enable Record - Tick to enable recording when the event is triggered.

Un-Tick to disable recording when the event is triggered.

4.3 PD & VD = Pedestrian Detection and Vehicle Detection

Pedestrian detection and vehicle detection can be set to trigger an alarm event in a custom area when it detects pedestrians, vehicles or both.

Smart ▶ PD

PID
LCD
PD&VD
FD

Name	Pedestrian Detection(PD&VD)	
Switch	<input checked="" type="checkbox"/>	
Latch Time	<input type="text" value="5S"/>	▼
Post Recording	<input type="text" value="5S"/>	▼
Sensitivity	<input type="text" value="60"/>	
Alarm Out	<input type="checkbox"/>	
Send Email	<input type="checkbox"/>	
Snap Mode	<input type="text" value="Interval Mode"/>	
Snap Num	<input type="text" value="1"/>	
Snap Frequency	<input type="text" value="2"/>	s/pic
Min Pixel	<input type="text" value="64"/>	(64-1080)
Detection Type	<input checked="" type="checkbox"/> Pedestrian <input checked="" type="checkbox"/> Vehicle	
Detection Mode	<input type="text" value="Motion Mode"/>	
Detection Range	<input type="text" value="Full Screen"/>	
Enable Record	<input type="checkbox"/>	



Key Settings

Switch - Tick to enable this feature.

Un-Tick to disable this feature.

Latch Time - This determines how long the alarm event is deemed to be activate once triggered. Options are 5, 10, 20 and 30 seconds.

Post Recording - This determines how long the camera will record for after the alarm event has ended. Options are 5, 10, 20 and 30 seconds.

Sensitivity - Determines how much activity or movement is required to generate an event. Options are **1 - 4**

1 = Lowest sensitivity level, a significant amount of movement is needed to trigger

4 = Highest sensitivity level, only a small amount of moment is needed to trigger

Send Email - Email alert via SMTP can be triggered and send a snapshot image of the event. *Note:- Email Settings required to be set up in Network Menu for this feature.*

Snap Mode - Set how the camera will capture thumbnail snapshots when triggered.

Default = Will only capture a snapshot when subjects are first detected. Additional thumbnail snapshots will only be captured if the subject leaves the camera's image and returns

Realtime: Only capture a snapshot from just before the subject leaves the image.

Interval Mode = Customize how many and how often thumbnail snapshots are captured using the **snap num** and **snap frequency** fields.

Snap Num - Set how many snapshots are captured for each event

1 = Will capture a single snapshot when the subject is first detected.

2 = Will capture a snapshot when the subject is first detected and one further snapshot at the interval as set by the snap frequency, if the subject is still present.

3 = Will capture a snapshot when the subject is first detected and two further snapshots, one further snapshot at the interval as set by the snap frequency, if the subject is still present.

Unlimited = Will continuously capture a snapshot at the interval as set by the snap frequency, if the subject is still present.

Snap Frequency - Customise how often the camera will capture a snapshot (in seconds), this is a timer which will remain active as long as the subject is present. If the subject leaves the camera's image and returns a snapshot will be captured and the timer will reset.

Min Pixel - Set the minimum trigger size, this can be set as a minimum width between 64 pixels to 1080 pixels. Customize the size depending on how far away the camera is away from the subject.

Detection Type - Tick to enable, options are pedestrian and vehicle. (Both can be enabled simultaneously)

Detection Mode - How the detection will handle motion and stationary objects.

Motion mode = Will only detect moving subjects.

Static mode = Will detect moving subjects but also stationary pedestrians and vehicles are in the alarm area.

Detection Range - Set the detection area for the image

Customize = Customise a defined detection area

Full Screen = Set to Monitor the entire image

Enable Record - Tick to enable recording when the event is triggered.

Un-Tick to disable recording when the event is triggered.

4.4 FD = Facial Detection

Facial detection can be set to trigger an alarm event in a custom area when it detects a face/

AI Face Recognition is available on these model NVRs:- ZIP108, ZIP116, ZIP208, ZIP308, ZIP216 and ZIP226.

Smart ▸ FD

PID
LCD
PD&VD
FD

Name Face Detection(FD)

Switch

Latch Time

Post Recording

Alarm Out

Send Email

Face Enhance

Snap Mode

Apply Mode

Snap Num

Snap Frequency s/pic

Min Pixel (32-1080)


Detection Mode

Rule Kind

Detection Range

Enable Record

Refresh
Save



Key Settings

Switch - Tick to enable this feature.

Un-Tick to disable this feature.

Latch Time - This determines how long the alarm event is deemed to be activate once triggered. Options are 5, 10, 20 and 30 seconds.

Post Recording - This determines how long the camera will record for after the alarm event has ended. Options are 5, 10, 20 and 30 seconds.

Send Email - Email alert via SMTP can be triggered and send a snapshot image of the event. Note:- Email Settings required to be set up in Network Menu for this feature.

Snap Mode - Set how the camera will capture thumbnail snapshots when triggered.

Default = Will only capture a snapshot when subjects are first detected. Additional thumbnail snapshots will only be captured if the subject leaves the camera's image and returns

Realtime: Only capture a snapshot from just before the subject leaves the image.

Interval Mode = Customize how many and how often thumbnail snapshots are captured using the **snap num** and **snap frequency** fields.

Snap Num - Set how many snapshots are captured for each event

1 = Will capture a single snapshot when the subject is first detected.

2 = Will capture a snapshot when the subject is first detected and one further snapshot after the period of time specified in the snap frequency field if the subject is still present.

3 = Will capture a snapshot when the subject is first detected and two further snapshots, one further snapshot after the period of time specified in the snap frequency field if the subject is still present.

Unlimited = Will continuously capture a snapshot at the interval as set by the snap frequency, if the subject is still present.

Snap Frequency - Customise how often the camera will capture a snapshot (in seconds), this is a timer which will remain active as long as the subject is present. If the subject leaves the camera's image and returns a snapshot will be captured and the timer will reset.

Apply Mode - Customise the face detecting viewing angle for the most accurate face detection.

Frontal View - The camera optimizes the detection for straight on.

Multi Angle - The camera detects faces at various angles.

Customise - Customise to set up bespoke detection angles/

Roll Range - How far somebody can tilt their head (ear towards their shoulder) and still be detected as a face. Set the angle from 0 degrees so that a face would have to be straight to 180 degrees so that the face can be tilted 90 degrees to either side.

Pitch Range - How far a person can look up or down and still be detected. At 0 degrees the subject would have to be looking directly at the camera. At 180 degrees the subject can be looking towards the ground or towards the sky and could still be detected.

Yaw Range - How far somebody can be looking to the side and still be detected. At 0 degrees the subject would have to be looking directly at the camera. At 180 degrees the subject can be side on to the camera and could still be detected.

Min Pixel - Set the minimum trigger size, this can be set as a minimum width between 64 pixels to 1080 pixels. Customize the size depending on how far away the camera is away from the subject.

Detection Mode - How the detection will handle motion and stationary objects.

Motion mode = Will only detect moving subjects.

Static mode = Will detect moving subjects but also stationary pedestrians and vehicles are in the alarm area.

Rule Kind - Set to trigger an alarm event when a face is detected in a set area or set to trigger an alarm event when a face is detected across a custom line.

Rect - Face detection within a set area.

To create a custom detection area;

1. Set the **rule kind** drop down list to **rect**.
2. Set the **detection area** drop down list to **customise**.
3. Click on the camera's image to set the top left corner of the detection area.
4. Click the position to set the bottom left corner.
5. Click the position to set the bottom right corner.
6. Click to set the top right corner of the detection area.

Line - Face detection across a custom line. Customise the direction the line is crossed before a capture so the camera will monitor for face on entry or as people exit.

To set up line crossing face detection follow these steps:

1. Set the **rule kind** drop down list to **line**.
2. Click on the camera's image to start the line crossing.
3. Click to stop the line crossing.

4. Finally select which direction a person crosses the line before face detection is triggered from the **rule type** drop down list, from side **A** to **B (A->B)** or from side **B** to **A (B->A)**.

Detection Range - Set the detection area for the image.

Customize = Customise a defined detection area

Full Screen = Set to Monitor the entire image

Enable Record - Tick to enable recording when the event is triggered.

Un-Tick to disable recording when the event is triggered.

4.5 AI Setup

See the ZIP NVR full manual for more information on AI setup;

Note: AI Features will vary depending on model

Full Instruction Manual



<https://systemq.com/PDF/manual/xZIP4.pdf>

IPCAI915 / IPCAI918 Browser Menu Settings

The menu can be configured directly in the browser interface of the camera (standalone), in Remote Setting you will find the menu settings below:-

For AI Settings please see [AI Setup](#) ²⁰

Channel	Live	Name	Customise Name	
		Date Format	DD/MM/YYYY / MM/DD/YYYY / YYYY/MM/DD	
		Time Format	24Hour / 12Hour	
		Flicker Control	50Hz / 60Hz	
		Transparency	1 ~ 128 (Default 64)	
		Show Name	Enable / Disable	
		Show Time	Enable / Disable	
		OSD Self-adaptive	Enable / Disable	
		Refresh / Save		
		Image Control	IR-CUT Mode	Automatic Mode / Colour Mode / Black White Mode / Image Mode / Schedule
	Corridor Mode		Disable / Enable	
	Angle Trad		180 / 0	
	Mirror		Disable / Vertical / Horizontal / All	
	Exposure Compensation		Disable / HLC / BLC / WDR	
	White Balance		Automatic Mode / Manual	
	Shutter		Automatic Mode / Manual	
	Time Exposure		1/5 / 1/8 / 1/15 / 1/25 / 1/50 / 1/100 / 1/150 / 1/180 / 1/200 / 1/240 / 1/250 / 1/300 / 1/360 / 1/480 / 1/500 / 1/600 / 1/700 / 1/1000 / 1/1500 / 1/2500 / 1/5000 / 1/10000 / 1/12000 / 1/20000	
	3D Noise Reduction		Auto / Disable / Manual	
	Refresh / Save / Default			
	Privacy Mask	Privacy Mark	Untick / Tick	
		Refresh / Save		
	ROI	Stream Type	MainStream / SubStream / MobileStream	
		Region ID	1 ~ 8	
		Enable Region	Disable / Enable	
		ROI Level	Lowest / Lower / Low / Medium / Higher / Highest	
		Non-ROI Fps (1-19)	12	

		Refresh / Save		
Record	Encode	Mainstream	Resolution (IPCAI918)	3840 x 2160 / 3072 x 1728 / 2592 x 1944 / 2592 x 1520 / 2304x1296 / 1920x1080 / 1280 x 960 / 1280x720
			Resolution (IPCAI915)	2592 x 1944 / 2592 x 1520 / 2304x1296 / 1920x1080 / 1280 x 960 / 1280x720
			FPS	1 ~ 25 (Default 25)
			Video Code Type	H.265 / H.264
			Video Code Level	Main Profile
			Bitrate Control	CBR / VBR
			Bitrate Mode	Predefined / User-Defined
			Bitrate	256 / 320 / 384 / 448 / 512 / 640 / 768 / 896 / 1024 / 1280 / 1536 / 1792 / 2048 / 3072 / 4096 / 5120 / 6144 / 8192 / 10240 / 12288 / 16384
			I Frame Interval	1 ~ 100 (Default 50)
			Audio	Enable / Disable
		Refresh / Save		
		Substream	Resolution	1920 x 1080 / 1280x720 / 640x480 /
			FPS	1 ~ 25 (Default 25)
			Video Code Type	H.265 / H.264
			Video Code Level	Main Profile
			Bitrate Control	CBR / VBR
			Bitrate Mode	Predefined / User Defined
			Bitrate	128 / 160 / 192 / 224 / 256 / 320 / 384 / 448 / 512 / 768 / 1024 / 1536 / 2048 / 3072 / 4096
			Audio	Untick / Tick
			I Frame Interval	1 ~ 100 (Default 50)

			Refresh / Save	
		Mobilestream	Enable	Enable / Disable
			Resolution	640x480 / 320x240
			FPS	1 ~ 25 (Default 25)
			Video Code Type	H.265 / H.264
			Video Code Level	Main Profile
			Bitrate Control	CBR / VBR
			Bitrate Mode	Predefined / User Defined
			Bitrate	128 / 160 / 192 / 224 / 256 / 320 / 384 / 448 / 512 / 768 / 1024 / 1536
			Audio	Untick / Tick
			I Frame Interval	1 ~ 100 (Default 50)
			Refresh / Save	
	Record / Capture	Stream Mode	MainStream / SubStream	
		Record	Enable / Disable	
		PreRecord	Enable / Disable	
		Netbreak	Disable / Enable	
	Schedule	Customise Schedule		
		Refresh / Save / Default		
Event	Setup	Motion	Enable	Enable / Disable
			Sensitivity	1 ~ 8 (Default 3)
	Alarm	Motion	Latch Time	5s / 10s / 20s / 30s
			Post Recording	OFF / 5s / 10s / 20s / 30s
			Send Email	Enable / Disable
			FTP Picture Upload	Enable / Disable
			FTP Video Upload	Enable / Disable
			Cloud Picture	Enable / Disable
			Cloud Video	Enable / Disable
			Alarm Out	Enable / Disable
			Enable Record	Enable / Disable
			Event Report	Enable / Disable
			Event Push	Enable / Disable
			Save / Schedule / Refresh	
		Sound Detection	Latch Time	5s / 10s / 20s / 30s
			Post Recording	OFF / 5s / 10s / 20s / 30s
			Send Email	Enable / Disable

			FTP Picture Upload	Enable / Disable
			FTP Video Upload	Enable / Disable
			Cloud Picture	Enable / Disable
			Cloud Video	Enable / Disable
			Alarm Out	Enable / Disable
			Enable Record	Enable / Disable
			Event Report	Enable / Disable
			Event Push	
		Event Push	Enable	Enable / Disable
			Name	Customise
			Push Way	HTTP / UDP
			Username	Customise
			Password	Customise
			Server Address	Customise
	Port	Customise (Default 123)		
	URL	API/AlarmEvent/EventPush		
	Method	POST / GET		
	Interval	OFF / 1 Min / 5 Min / 10 Min		
		Save / Refresh		
AI – Setup	FD (Face Detection)	Enable	Enable / Disable	
		Dynamic Marking	Enable / Disable	
		Face Enhance	Optimal Mode / Realtime Mode / Interval Mode	
		Apply Mode	Frontal View / Multi View / Customize	
		Min Pixel	32 ~ 1080 (Default 64)	
		Max Pixel	320 ~ 1080 (Default 640)	
		Detection Mode	Static Mode / Motion Mode	
		Rule Kind	Rect / Line	
		Detection Range	Full Screen / Customize	
			Save / Refresh	
		PD & VD (Person & Vehicle Detection)	Enable	Enable / Disable
			Sensitivity	0 ~ 100 (Default 60)
			Dynamic Marking	Enable / Disable
			Snap Mode	Default / Realtime Mode / Interval Mode
Min Pixel	64 ~ 1080 (Default 64)			
Max Pixel	320 ~ 1080 (Default 640)			
Detection Type	Pedestrian & Vehicle / OFF / Person / Vehicle			
Detection Mode	Motion Mode / Static Mode			
Detection Range	Full Screen / Customize			
	Save / Refresh			
PID (Perimeter Intrusion)	Enable	Enable / Disable		

Detection)	Sensitivity	1 to 4 (Default 2)
	Dynamic Marking	Enable / Disable
	Detection Type	Motion / Pedestrian & Vehicle / Person / Vehicle
	Rule Number	1 to 4
	Rule Enable	Enable / Disable
	Rule Type	A→B / B→A / A↔ B
	Save / Refresh	
LCD (Line Crossing Detection)	Enable	Enable / Disable
	Sensitivity	1 to 4 (Default 2)
	Dynamic Marking	Enable / Disable
	Detection Type	Motion / Pedestrian & Vehicle / Person / Vehicle
	Rule Number	1 to 4
	Rule Enable	Enable / Disable
	Rule Type	A→B / B→A / A↔ B
Save / Refresh		
SOD (Stationary Object Detection)	Enable	Enable / Disable
	Sensitivity	1 to 4 (Default 2)
	Dynamic Marking	Enable / Disable
	Rule Number	1 to 4
	Rule Enable	Enable / Disable
	Rule Type	Legacy / Lost / Lost & Legacy
Save / Refresh		
CC (Cross Counting)	Enable	Enable / Disable
	Sensitivity	1 to 4 (Default 2)
	Dynamic Marking	Enable / Disable
	Type	Person / Motion / Vehicle
	Alarm Number	1 to 255
	Start Time	User definable
	End Time	User definable
	Rule Number	1
	Rule Enable	Enable / Disable
	Rule Type	A→B / B→A
Save / Refresh / Reset Count		
HM (Heat Map)	Enable	Enable / Disable
	Rule Number	1
	Rule Enable	Enable / Disable
	Save / Refresh	
CD (Crowd Density)	Enable	Enable / Disable
	Sensitivity	1 to 4 (Default 2)
	Dynamic Marking	Enable / Disable
	Min Pixel	64 ~ 1080 (Default 64)
	Max Pixel	320 ~ 1080 (Default 640)
	Max Detection Number	1 ~ 500 (50)
	Detection Range	Customize / Full Screen

	Rule Number	1	
	Rule Enable	Enable / Disable	
	Save / Refresh		
QD (Queue Depth)	Enable	Enable / Disable	
	Sensitivity	1~ 4 (Default 60)	
	Dynamic Marking	Enable / Disable	
	Min Pixel	64 ~ 1080 (Default 64)	
	Max Pixel	320 ~ 1080 (Default 640)	
	Max Detection Number	1 ~ 500 (50)	
	Max Pro Time	1 ~ 3600 (60)	
	Detection Range	Customize / Full Screen	
	Rule Number	1	
	Rule Enable	Enable / Disable	
		Save / Refresh	
LPD (License Plate Detection)	Enable	Enable / Disable	
	LDP Enhance	Enable / Disable	
	Day Time Level	0~ 255 (Default 220)	
	Night Time Level	0~ 255 (Default 99)	
	Sensitivity	1~ 100 (Default 60)	
	Dynamic Marking	Enable / Disable	
	Snap Mode	Default / Realtime Mode / Interval Mode	
	Min Pixel	64 ~ 1080 (Default 64)	
	Max Pixel	320 ~ 1080 (Default 640)	
	Detection Type	European license plate / American license plate	
	Detection Mode	Static Mode / Motion Mode	
	Detection Range	Customize / Full Screen	
		Save / Refresh	
RSD (Rare Sound Detection)	Enable	Enable / Disable	
	Sensitivity	1~ 100 (Default 60)	
	Detection Type	Baby Crying Sound / Dog Barking / Gunshot	
		Save / Refresh	
AI Schedule	Customise Schedule		
	Save / Refresh		
Alarm - FD / LPR / PD&VD / PID / LCD / SOD / CC / CD / QD / LPD / RSD	Post Recording	OFF / 5s / 10s / 20s / 30s	
	Send Email	Enable / Disable	
	FTP Picture Upload	Enable / Disable	
	Cloud Picture	Enable / Disable	
	Alarm Out	Enable / Disable	
	Enable Record	Enable / Disable	
	Event Report	Enable / Disable	
		Save / Schedule / Refresh	

	Statistics	Human & Vehicle Detection	Select Date & Day / Intelligent / Search / Export		
		Cross Counting Statistics - Report Type	Daily Report / Weekly Report / Monthly Report / Annual Report		
		Detection Type	Motion / Person / Motor Vehicle / Non-motorised Vehicle		
		Cross Type	Cross In / Cross Out		
		System Time	Select Date		
		Column Chart / Line Chart			
		Heat Map Statistics – Report Type	Daily Report / Weekly Report / Monthly Report / Annual Report		
		Date	Customise		
		Start Hour	Customise		
		End Hour	Customise		
		Space Heat Map / Time Heat Map			
		Spatial Density Legend			
		Search			
		Network	General	DHCP	Enable / Disable
				IP Address	192.168.10.1 Test
				Subnet Mask	255.255.255.0
				Gateway	192.168.10.254
IPv6 DHCP	-				
IPv6 Address	-				
IPv6 Gateway	-				
DNS 1	192.168.10.254				
DNS 2	-				
IPv6 DNS 1	192.168.10.254				
IPv6 DNS 2	-				
Multicast Main stream	Enable / Disable				
Video Encryption Transmission	Enable / Disable				
Save / Refresh					
PPPoE	Enable PPPoE			Enable / Disable	
	Username		User-definable		
	Password				
	IP Address				
	Save / Refresh				
SNMP	Enable		Enable / Disable		
	SNMP Version		User-definable		
	SNMP Port				
	Read Community				
	Write Community				
	Trap IP Address				
	Trap Port				
	Save / Refresh				

	Port Configuration	HTTP Port	Enable / Disable
		Client Port	User-definable
		HTTPS Port	
		RTSP Port	
		Muticast Port	1024 – 65535
		P2P Enable	Enable / Disable
		Save / Refresh	
	Email	Email	Enable / Disable
		Encryption	Disable / SSL / TLS / Auto
		SMTP Port	25 / Customise
		SMTP Server	Customise
		User Name	
		Password	
		Sender Email	
		Receiver1	
		Receiver2	
		Receiver3	
		Interval	1Min / 3Min / 5Min / 10Min
	Refresh / Save / Test		
	FTP Settings	FTP Enable	Untick / Tick
		Server	Customise
		Port	21 / Customise
		Username	Customise
		Password	
		DIR Name	
		Transfer Images	Untick / Tick
		Refresh / Save	
RTSP Port	RTSP	Tick / Untick	
	RTSP Port	1240 / Customise	
	Anonymous Login	Untick / Tick (No username or password required)	
	Instruction: rtsp://IP:Port/ch01/A A:0(MainStream), 1(SubStream), 2(MobileStream)		
	Refresh / Save		
DDNS	DDNS	Untick / Tick	
	Server	NO_IP / DYNDNS	
	Host Name	Customise	
	Username		
	Password		
	Refresh / Save		
IP Filter	Enable	Enable / Disable	
	Filter Mode	Allow all IP connections / Allow the selected IP connections / Block the selected IP connections	
	Refresh / Save		
Storage	Disk	Disk Information	

		Refresh / Save / Format Hard Disk			
	Audio	Enable Audio	Tick / Untick		
		Output Volume	0 ~ 10 (Default 5)		
		Input Volume	0 ~ 10 (Default 5)		
		Audio Code Type	G711A / G711U / G726 16K		
		Refresh / Save			
	Cloud	Cloud Storage	Enable / Disable		
		Cloud Type	Dropbox		
		Driver Name	Customise (Default IP-PTZ650W)		
		Refresh / Save / Activate Cloud			
System	General	Date and Time	Time Setting mode	Static / NTP server synchronization	
			Date Format	Day/Month/Year Year-Month-Day Month/Day/Year	
			Time Zone	GMT -12:00 to GMT + 13:00	
			Time Format	24Hour / 12 Hour	
			System Time	User-definable	
			Server Address	Time.windows.com / time.nist.gov / pool.ntp.org / Define User	
			Save / Synchronize computer time / Refresh		
		Daylight Saving Time	Daylight saving time	Enable / Disable	
			Start Time	User-definable	
			End Time	User-definable	
			Time Offset	1Hour / 2 hours	
		Save / Refresh			
		Multi-User	Customize Each user	Password (Edit)	Username
					Password
				Password Strength	
				Confirm	
	Refresh				
	Maintain	Log	Log Type	System / CON. / Alarm / Account / Record / Storage / Network / All	
			Start Time	User-definable	
			End Time	User-definable	
		Load Default	All / Video / Record/ Event / AI / Network/ Storage / System		
		Save / Refresh			
		Upgrade	Path	Search Local Files	
Save / Load		Import File	Search Local Files		

			Export File Name	Search Local Files
		Auto Reboot	Auto-maintenance	Enable / Disable
			Time	Date / Week / Month
				Mon / Tues / Wed / Thur / Fri / Sat / Sun
				Time
	Save / Refresh / Reboot			
	Information	Device ID		
	Device Name			
	Device Type			
	Hardware Version			
Software Version				
Web Version				
Mac Address				
P2P ID				
Refresh				

Motorised Zoom & Focus

The vari-focal motorised zoom and focus is controlled electronically.

To control, this will differ depending on the setup of the camera, if being used with a ZIP recorder or standalone.

6.1 ZIP NVR and DVR

When using a ZIP NVR and DVR the zoom and focus for the motorised lens is controlled from PTZ control options on the live view.

To access the Control Menu via coaxitron:-

1. Click on the image in Live view
2. Click on the PTZ button at the bottom of the screen

Use the **zoom +** and **zoom -**, to zoom in and out.

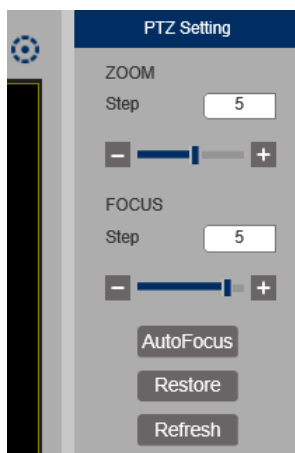
The camera will automatically focus once the zoom button is released.

Focus can also be set manually using the **focus +** and **zoom -**.

6.2 Standalone

When using the camera standalone the zoom and focus for the motorised lens is controlled from PTZ control options on the live view on the browser

Find the PTZ button at the top right in **live**.



Use the **zoom +** and **zoom -**, to zoom in and out.

The camera will automatically focus once the zoom button is released.

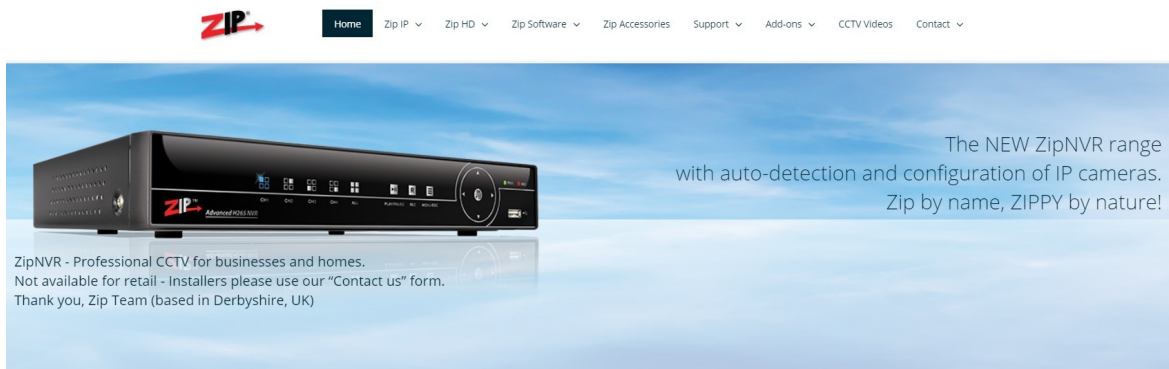
Focus can also be set manually using the **focus +** and **zoom -**.

Extra Resources

7.1 ZipNVR.com Website

The Zip NVR has a range of information on the cameras and NVRs, manuals, software, tools and support:-

www.zipdvr.com



7.2 Adding IP Cameras

How to guide on Adding IP Cameras:-

www.zipdvr.com/howto/TIP459-How-To-Add-IP-Cameras.html

7.3 ZIP Firmware

Firmware for the ZIP products are available online:-

www.zipdvr.com/firmware.html

Compare the firmware in the product against that available online.

AI Face Recognition is available on these model NVRs:- ZIP108, ZIP116, ZIP208, ZIP308, ZIP216 and ZIP226.

General Maintenance

- Routinely clean the camera to prevent dust build up as this can effect the performance of the camera. It is recommended to use a damp non-abrasive microfibre cloth.
- Routinely check the connections for power and data to ensure no water ingress and corrosion.
- Check that the cameras are firmly attached to the wall or mounting bracket.
- Check playback in the recorder to ensure the camera is recording and triggering properly.

Specification

9.1 IPCAI915

Image Sensor	1/ 2.8" Progressive CMOS
Resolution	5MP 2592(H)×1944(V)
Lens Type	2.8-12mm Motorised
Shutter	1/5 ~ 1/20000s
Day/Night	Mechanical (True Day-Night)
Min. Illumination	0 (With IR On)
IR Range	Up to 45m
Digital Noise Reduction	3D DNR
Video Compression	H.264 / H.265
Video Bitrate	8Kbps ~ 8Mbps
Stream Options	Mainstream, SubStream & MobileStream
iSENSE AI Features	Perimeter Intrusion, Line Crossing, Pedestrian and Vehicle Detection, Facial Detection, Facial Recognition, Stationary Object detection, Cross Counting, Heat Map, Crowd Density, Queue Depth, Rare Sound Detection, License Plate Detection
System Compatibility	ONVIF (Profile S, Profile G, Profile T)
Connection	RJ45 10M / 100M Ethernet PoE
SD Card	Micro SD Card Slot (up to 128GB)
Alarm	1 Input / 1 Output
Audio (RCA)	1 Input / 1 Output
Security Compliancy	NDAA Compliant
Input Voltage	PoE or 12V DC 750mA (PSU Required)
Consumption	9W Max
Operating Temperature	From -35 to 60 deg°C
Backlight Control	BLC / WDR
Use	IP66 For External Use