



ZIP AI IP Camera

IPCAI955

© 2021 System Q Ltd

ZipNVR.com

Table of Contents

Part 1 Introduction	1
1 Key Features	1
2 Essential Tools and ZipFinder	1
Part 2 Connections and Dimensions	3
1 IPCAI955 5-50mm Varifocal Bullet	3
Part 3 Mounting and SD Card Installation	4
1 Bullet	4
Part 4 Setup Options	5
1 PoE ZIP NVR	5
2 Non-PoE ZIP NVR	6
Part 5 Setup and AI Features	7
1 PID = Perimeter Intrusion Detection	9
2 LCD = Line Crossing Detection	11
3 PD & VD = Pedestrian Detection and Vehicle Detection	13
4 FD = Facial Detection	16
Part 6 Browser Menu Settings	20
Part 7 Motorised Zoom & Focus	27
1 ZIP NVR and DVR	27
2 Standalone	27
Part 8 Extra Resources	28
1 ZipNVR.com Website	28
2 Adding IP Cameras	28
3 ZIP Firmware	28
Part 9 General Maintenance	29
Part 10 Specification	30
1 IPCAI955	30
Part 11 Conditions	31
Index	32

1 Introduction

The ZIP AI Cameras provide triggering with smart detection features such as *line crossing*, *pedestrian detection*, *facial detection*.

Only one smart detection feature can be enabled at any given time.

Facial recognition can be set when connected to a compatible ZIP NVR with iSENSE firmware.

In order to use the ZIP AI cameras with a ZIP NVRs the latest iSENSE firmware is required, please see [Extra Resources](#)²⁸.

1.1 Key Features

- Alarm input and output*
- Audio input and output*
- Supports H264 and H265
- Supports ONVIF (Profile S, Profile G, Profile T)
- SD card*
- Perimeter intrusion
- Line crossing
- Pedestrian and vehicle detection
- Facial detection
- IP66 (*Excluding the IPCAI020*)

**On selected models*

1.2 Essential Tools and ZipFinder

To install this product you will need:

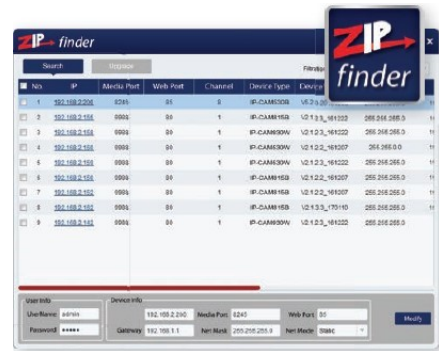
- Laptop / Windows PC
- Screwdriver
- Drill
- Hammer
- ZIP NVR or DVR
- PoE Switch / 12V DC power supply
- Ethernet CAT5/5e/6 Cable

ZipFinder - IP Camera Configuration Tool

ZipFinder is a Windows PC software for discovering and configuring IP cameras a network.

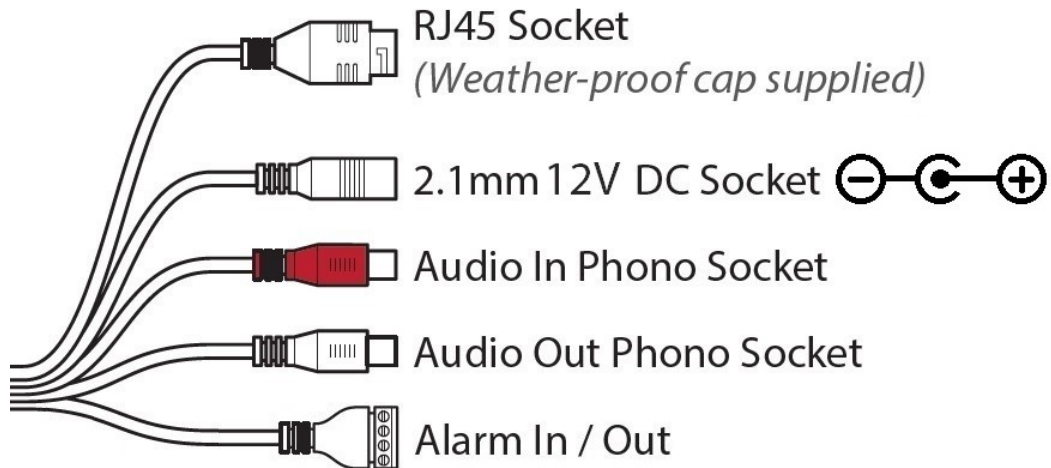
Use ZipFinder on non-PoE installs, to help problem solving issues such as forgotten or unknown IP Addresses.

To download visit ZipNVR.com



2 Connections and Dimensions

2.1 IPCA1955 5-50mm Varifocal Bullet



Powering the camera

Option 1 - Power the camera from 12V DC (via the 2.1mm DC Socket), the current consumption is 750mA. The camera is polarity sensitive so connections must be correctly made.

Option 2 - Power the camera using a PoE 48V RJ45 Socket

When connecting to a **ZIP PoE NVR** plug the camera directly into the NVRs built in PoE switch.



*Dimensions Exclude Bracket

3 Mounting and SD Card Installation

Note:-

IPCAI020 does not have an SD card slot.

For local recording on the camera itself an SD card must be installed.

Recording time will vary dependent upon: SD card size and encoding settings

32GB SD Card \approx 31 hours

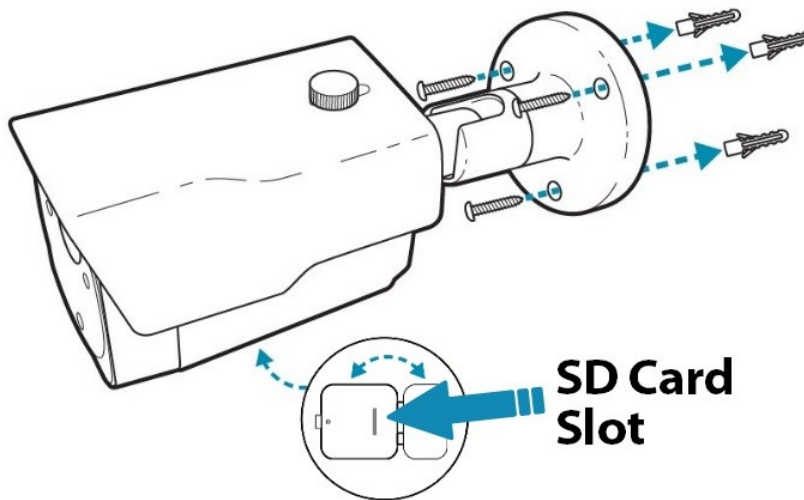
64GB SD Card \approx 62 hours

128GB SD Card (MAX) \approx 124 hours

The camera can be set to only record when triggered via *motion detection*, *alarm input* or *AI smart*, this maximises the recording time achievable.

Remove power from the camera when inserting / removing the SD card.

3.1 Bullet



A template is provided in the box for marking the hole positions for the fixing screws.

4 Setup Options

4.1 PoE ZIP NVR

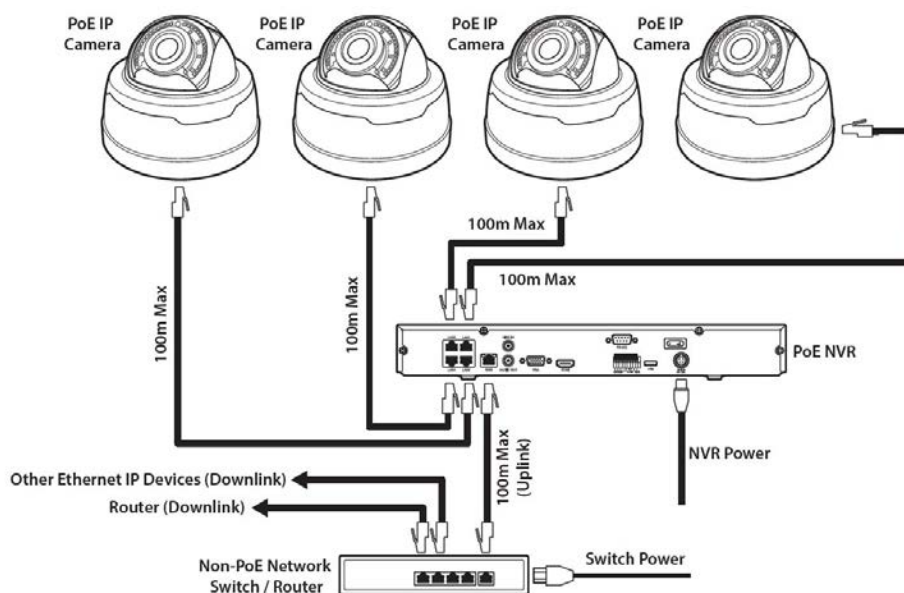
When connecting to a **ZIP PoE NVR** plug the camera directly into the NVR's built in PoE switch.

The camera should automatically become visible after being connected for approximately 1 minute.

The 100m distance for a camera can be increased when the PoE Mode is set to EPoE.

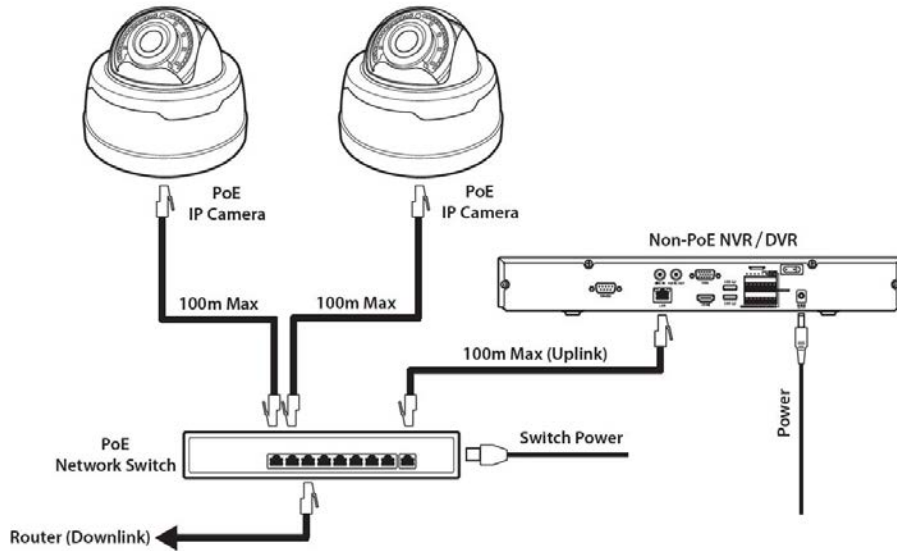
In the menu on a ZIP PoE NVR go to:-

Video > IP Channels > PoE Mode



4.2 Non-PoE ZIP NVR

When connecting cameras to a **Non-PoE NVR**, they are first connected to an external network switch which is in-turn connected to the NVR as shown below.



See [Extra Resources](#)²⁸ for more information on **Adding IP Cameras manually** to a ZIP Recorder.

5 Setup and AI Features

The AI smart features can be configured in a ZIP recorder or directly in the browser interface of the camera (standalone)

Only one smart detection feature can be enabled at any given time.

See the NVR or DVR manual for information on configuring these features with a ZIP recorder.

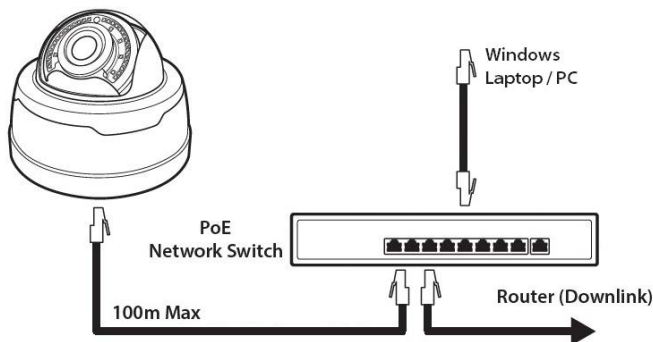
Follow the steps below for configuring the settings directly in the camera via a browser for standalone setup.

You will need...

- Windows Based PC/ Laptop connected to router/ PoE switch
- ZipVision Pro App on Mobile Device
- PoE Switch connected to Network/ Router
- Ethernet network cable
- [ZipFinder](#) software, available via this link below:-

www.softcctv.com/store/Item/Zip-Finder-IP-CCTV-Security-Camera-Discovery-Tool

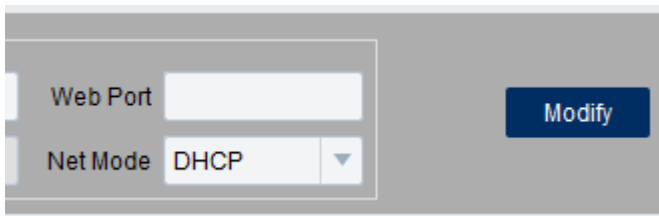
1. Plug the camera's RJ45 port with a network cable into a PoE switch



2. Using ZipFinder on a Windows Based PC/ Laptop **Search** and then tick the camera



3. Select Net Mode = **DCHP**, then click **Modify**



4. **Search** again, to get the updated IP address.

5. **Select** the IP address of the camera, Internet Explorer will pop-up, and ask to download and install the plug-in.

6. **Download, install** and follow the steps for the plug-in installation, then re-load the browser by **selecting** the IP address again.

5. Login to the IP Camera, the **default** login details are:-

User Name	admin
Password	777777

6. Go to **Remote Setting > Smart > Detection**

5.1 PID = Perimeter Intrusion Detection

Perimeter intrusion detection can be set to trigger an alarm event when movement is detected in a set area.

Smart ▸ Detection

PID
LCD
PD&VD
FD

Name Perimeter Intrusion Detection (PID)

Switch

Latch Time

Post Recording

Sensitive

Scene

Alarm Out

Send Email

Detection Type Pedestrian Vehicle


Rule Number

Rule Switch

Rule Type

Enable Record

Refresh
Save



Clear
Clean All

Key Settings

Switch - Tick to enable this feature.

Un-Tick to disable this feature.

Latch Time - This determines how long the alarm event is deemed to be activate once triggered. Options are 5, 10, 20 and 30 seconds.

Post Recording - This determines how long the camera will record for after the alarm event has ended. Options are 5, 10, 20 and 30 seconds.

Sensitivity - Determines how much activity or movement is required to generate an event. Options are **1 - 4**.

1 = Lowest sensitivity level, a significant amount of movement is needed to trigger

4 = Highest sensitivity level, only a small amount of moment is needed to trigger

Scene - Set for light level location to improve detection. Options are indoor or outdoor.

Send Email - Email alert via SMTP can be triggered and send a snapshot image of the event.
Note:- Email Settings required to be set up in Network Menu for this feature.

Rule Number - Up to 4 areas can be set independently in the image area. Use this to enable / disable each of the 4 rules.

Rule Switch - Tick to enable or disable the detection that rule for the rule number selected.

Rule Type - The determines how the direction of moment over the perimeter is handled.

A to B (A->B) = Only movement in the direction A to B will trigger.

B to A (B->A) = Only movement in the direction B to A will trigger.

A or B (A<->B) = Any moment direction over the perimeter will trigger.

Enable Record - Tick to enable recording when the event is triggered.

Un-Tick to disable recording when the event is triggered.

5.2 LCD = Line Crossing Detection


Line crossing detection can be set to trigger an alarm event when movement is detected across a custom line

Smart ▶ LCD

PID
LCD
PD&VD
FD

Name	Line Crossing Detection (LCD)
Switch	<input checked="" type="checkbox"/>
Latch Time	<input type="text" value="5S"/>
Post Recording	<input type="text" value="5S"/>
Sensitive	<input type="text" value="2"/>
Scene	<input type="text" value="Indoor"/>
Alarm Out	<input checked="" type="checkbox"/>
Send Email	<input type="checkbox"/>
Detection Type	<input type="checkbox"/> Pedestrian <input type="checkbox"/> Vehicle
Rule Number	<input type="text" value="1"/>
Rule Switch	<input type="checkbox"/>
Rule Type	<input type="text" value="A → B"/>
Enable Record	<input type="checkbox"/>

Refresh Save



Clear Clean All

Key Settings

Switch - Tick to enable this feature.

Un-Tick to disable this feature.

Latch Time - This determines how long the alarm event is deemed to be activate once triggered. Options are 5, 10, 20 and 30 seconds.

Post Recording - This determines how long the camera will record for after the alarm event has ended. Options are 5, 10, 20 and 30 seconds.

Sensitivity - Determines how much activity or movement is required to generate an event. Options are **1 - 4**

1 = Lowest sensitivity level, a significant amount of movement is needed to trigger

4 = Highest sensitivity level, only a small amount of moment is needed to trigger

Scene - Set for light level location to improve detection. Options are indoor or outdoor.

Send Email - Email alert via SMTP can be triggered and send a snapshot image of the event.
Note:- Email Settings required to be set up in Network Menu for this feature.

Detection Type - Tick to enable, options are pedestrian, vehicle. (Both can be enabled simultaneously)

Rule Number - Up to 4 areas can be set independently in the image area. Select the number to control the setting of that specific area.

Rule Switch - Tick to enable or disable the detection that rule for the rule number selected.

Rule Type - The determines how the direction of moment over the perimeter is handled.

A to B (A->B) = Only movement in the direction A to B will trigger.

B to A (B->A) = Only movement in the direction B to A will trigger.

A or B (A<->B) = Any moment direction over the perimeter will trigger.

Enable Record - Tick to enable recording when the event is triggered.

Un-Tick to disable recording when the event is triggered.

5.3 PD & VD = Pedestrian Detection and Vehicle Detection


Pedestrian detection and vehicle detection can be set to trigger an alarm event in a custom area when it detects pedestrians, vehicles or both.

Smart ▶ PD

PID
LCD
PD&VD
FD

Name	Pedestrian Detection(PD&VD)	
Switch	<input checked="" type="checkbox"/>	
Latch Time	<input type="text" value="5S"/>	▼
Post Recording	<input type="text" value="5S"/>	▼
Sensitivity	<input type="text" value="60"/>	
Alarm Out	<input type="checkbox"/>	
Send Email	<input type="checkbox"/>	
Snap Mode	<input type="text" value="Interval Mode"/>	▼
Snap Num	<input type="text" value="1"/>	▼
Snap Frequency	<input type="text" value="2"/>	s/pic
Min Pixel	<input type="text" value="64"/>	(64-1080)
Detection Type	<input checked="" type="checkbox"/> Pedestrian <input checked="" type="checkbox"/> Vehicle	
Detection Mode	<input type="text" value="Motion Mode"/>	▼
Detection Range	<input type="text" value="Full Screen"/>	▼
Enable Record	<input type="checkbox"/>	

Refresh Save



Key Settings

Switch - Tick to enable this feature.

Un-Tick to disable this feature.

Latch Time - This determines how long the alarm event is deemed to be activate once triggered. Options are 5, 10, 20 and 30 seconds.

Post Recording - This determines how long the camera will record for after the alarm event has ended. Options are 5, 10, 20 and 30 seconds.

Sensitivity - Determines how much activity or movement is required to generate an event. Options are **1 - 4**

1 = Lowest sensitivity level, a significant amount of movement is needed to trigger

4 = Highest sensitivity level, only a small amount of moment is needed to trigger

Send Email - Email alert via SMTP can be triggered and send a snapshot image of the event.
Note:- Email Settings required to be set up in Network Menu for this feature.

Snap Mode - Set how the camera will capture thumbnail snapshots when triggered.

Default = Will only capture a snapshot when subjects are first detected. Additional thumbnail snapshots will only be captured if the subject leaves the camera's image and returns

Realtime: Only capture a snapshot from just before the subject leaves the image.

Interval Mode = Customize how many and how often thumbnail snapshots are captured using the **snap num** and **snap frequency** fields.

Snap Num - Set how many snapshots are captured for each event

1 = Will capture a single snapshot when the subject is first detected.

2 = Will capture a snapshot when the subject is first detected and one further snapshot at the interval as set by the snap frequency, if the subject is still present.

3 = Will capture a snapshot when the subject is first detected and two further snapshots, one further snapshot at the interval as set by the snap frequency, if the subject is still present.

Unlimited = Will continuously capture a snapshot at the interval as set by the snap frequency, if the subject is still present.

Snap Frequency - Customise how often the camera will capture a snapshot (in seconds), this is a timer which will remain active as long as the subject is present. If the subject leaves the camera's image and returns a snapshot will be captured and the timer will reset.

Min Pixel - Set the minimum trigger size, this can be set as a minimum width between 64 pixels to 1080 pixels. Customize the size depending on how far away the camera is away from the subject.

Detection Type - Tick to enable, options are pedestrian and vehicle. (Both can be enabled simultaneously)

Detection Mode - How the detection will handle motion and stationary objects.

Motion mode = Will only detect moving subjects.

Static mode = Will detect moving subjects but also stationary pedestrians and vehicles are in the alarm area.

Detection Range - Set the detection area for the image

Customize = Customise a defined detection area

Full Screen = Set to Monitor the entire image

Enable Record - Tick to enable recording when the event is triggered.

Un-Tick to disable recording when the event is triggered.

5.4 FD = Facial Detection

Facial detection can be set to trigger an alarm event in a custom area when it detects a face/


AI Face Recognition is available on these model NVRs:- ZIP108, ZIP116, ZIP208, ZIP308, ZIP216 and ZIP226.

Smart ▸ FD

PID
LCD
PD&VD
FD

Name	Face Detection(FD)	
Switch	<input checked="" type="checkbox"/>	
Latch Time	<input type="text" value="5S"/>	▼
Post Recording	<input type="text" value="5S"/>	▼
Alarm Out	<input type="checkbox"/>	
Send Email	<input type="checkbox"/>	
Face Enhance	<input checked="" type="checkbox"/>	
Snap Mode	<input type="text" value="Interval Mode"/>	▼
Apply Mode	<input type="text" value="Frontal View"/>	▼
Snap Num	<input type="text" value="1"/>	▼
Snap Frequency	<input type="text" value="2"/>	s/pic
Min Pixel	<input type="text" value="32"/>	(32-1080)
Detection Mode	<input type="text" value="Motion Mode"/>	▼
Rule Kind	<input type="text" value="Rect"/>	▼
Detection Range	<input type="text" value="Customize"/>	▼
Enable Record	<input type="checkbox"/>	

Refresh
Save



Key Settings

Switch - Tick to enable this feature.

Un-Tick to disable this feature.

Latch Time - This determines how long the alarm event is deemed to be activate once triggered. Options are 5, 10, 20 and 30 seconds.

Post Recording - This determines how long the camera will record for after the alarm event has ended. Options are 5, 10, 20 and 30 seconds.

Send Email - Email alert via SMTP can be triggered and send a snapshot image of the event. Note:- Email Settings required to be set up in Network Menu for this feature.

© 2021 System Q Ltd

16

ZipNVR.com

Snap Mode - Set how the camera will capture thumbnail snapshots when triggered.

Default = Will only capture a snapshot when subjects are first detected. Additional thumbnail snapshots will only be captured if the subject leaves the camera's image and returns

Realtime: Only capture a snapshot from just before the subject leaves the image.

Interval Mode = Customize how many and how often thumbnail snapshots are captured using the **snap num** and **snap frequency** fields.

Snap Num - Set how many snapshots are captured for each event

1 = Will capture a single snapshot when the subject is first detected.

2 = Will capture a snapshot when the subject is first detected and one further snapshot after the period of time specified in the snap frequency field if the subject is still present.

3 = Will capture a snapshot when the subject is first detected and two further snapshots, one further snapshot after the period of time specified in the snap frequency field if the subject is still present.

Unlimited = Will continuously capture a snapshot at the interval as set by the snap frequency, if the subject is still present.

Snap Frequency - Customise how often the camera will capture a snapshot (in seconds), this is a timer which will remain active as long as the subject is present. If the subject leaves the camera's image and returns a snapshot will be captured and the timer will reset.

Apply Mode - Customise the face detecting viewing angle for the most accurate face detection.

Frontal View - The camera optimizes the detection for straight on.

Multi Angle - The camera detects faces at various angles.

Customise - Customise to set up bespoke detection angles/

Roll Range - How far somebody can tilt their head (ear towards their shoulder) and still be detected as a face. Set the angle from 0 degrees so that a face would have to be straight to 180 degrees so that the face can be tilted 90 degrees to either side.

Pitch Range - How far a person can look up or down and still be detected. At 0 degrees the subject would have to be looking directly at the camera. At 180 degrees the subject can be looking towards the ground or towards the sky and could still be detected.

Yaw Range - How far somebody can be looking to the side and still be detected. At 0 degrees the subject would have to be looking directly at the camera. At 180 degrees the subject can be side on to the camera and could still be detected.

Min Pixel - Set the minimum trigger size, this can be set as a minimum width between 64 pixels to 1080 pixels. Customize the size depending on how far away the camera is away from the subject.

Detection Mode - How the detection will handle motion and stationary objects.

Motion mode = Will only detect moving subjects.

Static mode = Will detect moving subjects but also stationary pedestrians and vehicles are in the alarm area.

Rule Kind - Set to trigger an alarm event when a face is detected in a set area or set to trigger an alarm event when a face is detected across a custom line.

Rect - Face detection within a set area.

To create a custom detection area;

1. Set the **rule kind** drop down list to **rect**.
2. Set the **detection area** drop down list to **customise**.
3. Click on the camera's image to set the top left corner of the detection area.
4. Click the position to set the bottom left corner.
5. Click the position to set the bottom right corner.
6. Click to set the top right corner of the detection area.

Line - Face detection across a custom line. Customise the direction the line is crossed before a capture so the camera will monitor for face on entry or as people exit.

To set up line crossing face detection follow these steps:

1. Set the **rule kind** drop down list to **line**.
2. Click on the camera's image to start the line crossing.
3. Click to stop the line crossing.
4. Finally select which direction a person crosses the line before face detection is triggered from the **rule type** drop down list, from side **A** to **B** (**A->B**) or from side **B** to **A** (**B->A**).

Detection Range - Set the detection area for the image.

Customize = Customise a defined detection area

Full Screen = Set to Monitor the entire image

Enable Record - Tick to enable recording when the event is triggered.

Un-Tick to disable recording when the event is triggered.

6 Browser Menu Settings

The menu be configured directly in the browser interface of the camera (standalone), in Remote Setting you will find the menu settings.

Camera	OSD Menu	Name	Customise Name	
		Flicker Control	50Hz / 60Hz	
		Transparency	1 ~ 128 (Default 64)	
		Show Name	Untick / Tick	
		Show Time	Untick / Tick	
		Refresh / Save		
	Camera Settings	IR-CUT Mode	Auto / Colour Mode / Black White Mode / Schedule (B/W)	
		IR-CUT Delay	1 ~ 36 (Default 2)	
		IR-LED	Auto / Off / On	
		Flip	Untick / Tick	
		Mirror	Untick / Tick	
		Corridor Mode	Untick / Tick	
		Angle Rotation	180 / 0	
		Backlight	Untick / Tick	
		3D Noise Reduction	Auto / Disable / Manual	
		DWDR	Untick / Tick	
		HLC	Untick / Tick	
		AGC	1 ~ 128 (Default 64)	
		White Balance	Auto / Manual / Indoor	
		Shutter	Auto / Manual	
		Time Exposure (max)	1/5 / 1/8 / 1/15 / 1/25 / 1/50 / 1/100 / 1/150 / 1/180 / 1/200 / 1/240 / 1/250 / 1/300 / 1/360 / 1/480 / 1/500 / 1/600 / 1/700 / 1/1000 / 1/1500 / 1/2500 / 1/5000 / 1/10000 / 1/12000 / 1/20000 / Flickerless	
		Defog Mode	Disable / Auto / Manual	
		Refresh / Save / Default		
	Privacy Mask	Privacy Mark	Untick / Tick	
		Refresh / Save		
	ROI	Stream Type	MainStream / SubStream / MobileStream	
		Region ID	1 ~ 8	
		Enable Region	Disable / Enable	
		ROI Level	Worst / worse / bad / normal / better / best	
		Non-ROI Fps (1-19)	12	
		Refresh / Save		
	Record	Record Settings	Stream Mode	MainStream / SubStream
			Record	Tick / Untick
PreRecord			Tick / Untick	

	Normal Schedule	Customise Schedule			
		Refresh / Save / Default			
	Event Schedule	Customise Schedule			
		Refresh / Save / Default			
Capture	Capture	Normal Interval	5S / 10S / 30S / 1Min / 10Min / 30Min / 1Hour		
		Alarm Interval	5S / 10S / 30S / 1Min / 10Min / 30Min / 1Hour		
		Auto Capture	Untick / Tick		
		Manual Capture	Untick / Tick		
			Refresh / Save		
	Capture Schedule	Customise Schedule			
Network	Network	Type	DCHP / PPPoE / Static		
		Client Port	8240		
		HTTP Port	80		
		IP Address	192.168.10.1		
		Subnet Mask	255.255.255.0		
		Gateway	192.168.10.254		
		DNS 1	192.168.10.254		
		DNS 2	Untick / Tick		
		UPNP	Untick / Tick		
		Multicast	Untick / Tick		
		P2P Switch	Untick / Tick		
		Port Range	1024 ~ 65535 (Client Port, HTTP Port)		
			Refresh / Save		
		Encoding	Mainstream	Resolution	2592x1944 / 2592x1520 / 2304x1296 / 1920x1080 / 1280x720
				FPS	1 ~ 20 (Default 12)
Video Code Type	H.264 / H.265				
Video Code Level	Main Profile / Baseline / High Profile				
Bitrate Control	CBR / VBR				
Bitrate Mode	Predefined / User Defined				
Bitrate	256 / 320 / 384 / 448 / 512 / 640 / 768 / 896 / 1024 / 1280 / 1536 / 1792 / 2048 / 3072 / 4096 / 5120 / 6144 / 8192				
Audio	Untick / Tick				
I Frame Interval	1 ~ 80 (Default 24)				
	Refresh / Save				
	SubStream			Resolution	1280x720 / 640x480 / 320x240

			FPS	1 ~ 20 (Default 10)
			Video Code Type	H.264 / H.265
			Video Code Level	Main Profile / Baseline / High Profile
			Bitrate Control	CBR / VBR
			Bitrate Mode	Predefined / User Defined
			Bitrate	128 / 160 / 192 / 224 / 256 / 320 / 384 / 448 / 512 / 640 / 768 / 896 / 1024
			Audio	Untick / Tick
			I Frame Interval	1 ~ 80 (Default 20)
			Refresh / Save	
		MobileStream	Enable	Tick / Untick
			Resolution	640x480 / 320x240
			FPS	1 ~ 20 (Default 10)
			Video Code Type	H.265 / H.264
			Video Code Level	Main Profile / Baseline / High Profile
			Bitrate Control	CBR / VBR
			Bitrate Mode	Predefined / User Defined
			Bitrate	8 / 16 / 24 / 32 / 48 / 64 / 80 / 96 / 128 / 160 / 192 / 224 / 256 / 320 / 384 / 448 / 512 / 640 / 768 / 896 / 1024 / 1280 / 1536
			Audio	Untick / Tick
			I Frame Interval	1 ~ 80 (Default 20)
			Refresh / Save	
	Email Settings	Email	Untick / Tick	
		Encryption	Disable / SSL / TLS / Auto	
		SMTP Port	25 / Customise	
		SMTP Server	Customise	
		User Name	Customise	
		Password	Customise	
		Sender Email	Customise	
		Receiver1	Customise	
		Receiver2	Customise	
		Receiver3	Customise	
		Interval	1Min / 3Min / 5Min / 10Min	
		Refresh / Save / Test Email / Cancel		
	ZIP DDNS	DDNS	Untick / Tick	
		Server	NO_IP / DYNDNS	

		Host Name	Customise		
		Username	Customise		
		Password	Customise		
	IP Filter	Refresh / Save / Add / Del			
		Filter Mode	Allow all IP connections / Allow the selected IP connections / Block the selected IP connections		
	RTSP Port	RTSP	Tick / Untick		
		RTSP Port	1240 / Customise		
		Anonymous Login	Untick / Tick (No username or password required)		
		Instruction: rtsp://IP:Port/ch01/A A:0(MainStream), 1(SubStream), 2(MobileStream)			
		Refresh / Save			
	Alarm	Motion Detection	Enable	Untick / Tick	
			Sensitivity	1 ~ 8 (Default 3)	
			Alarm Out	Untick / Tick	
Latch Time			5S / 10S / 20S / 30S		
Post Recording			5S / 10S / 20S / 30S		
Send Email			Untick / Tick		
Enable Record			Tick / Untick		
Refresh / Save					
Alarm Settings		Alarm Input	OFF / NC / NO		
		Latch Time	5S / 10S / 20S / 30S		
		Send Email	Untick / Tick		
		Alarm Out	Untick / Tick		
		Enable Record	Untick / Tick		
		Post Recording	0S / 5S / 10S / 20S / 30S		
		Refresh / Save			
Lens		Enable	Tick / Untick		
		Sensitivity	1 ~ 6 (Default 3)		
		Send Email	Untick / Tick		
		Alarm Out	Untick / Tick		
		Latch Time	5S / 10S / 20S / 30S		
		Refresh / Save			
Device		SD Card	SD Card	Auto / Close	
			Overwrite		
	Refresh / Save				
	Audio Settings	Enable Audio	Untick / Tick		
		Output Volume	0 ~ 10 (Default 5)		
		Input Volume	0 ~ 10 (Default 5)		
		Audio Code Type	G711A / G711U / G726 16K		
		Refresh / Save			
	Log	Major Type	Selectable	Search	
		Start Time	Selectable		

		End Time	Selectable		
System	Date/ Time	System Time	Customise		
		Date Format	DD/MM/YYYY / YYYY/MM/DD / MM/DD/YYYY		
		Time Format	24Hour / 12Hour		
		DST / NTP / Synchronize			
		Daylight Saving Time	Tick / Untick		
		Daylight Saving Time	Week / Date		
		Time Offset	1Hour / 2Hour		
		Start Time	Customise		
		End Time	Customise		
		Refresh / Save			
	Users	Select User	Username	Customise	
			Password	Customise	
			Confirm	Customise	
			Active	Tick / Untick	
Password			Tick / Untick		
Refresh / Save					
Info	Device Name				
	Serial No.				
	Hardware Version				
	Software Version				
	IE Client Version				
	MAC Address				
	Refresh				
Tools	Firmware Update	Upgrade file path			
		Scan			
		Upgrade			
	Load Default	Camera	Tick / Untick		
		Record	Untick / Tick		
		Network	Untick / Tick		
		Alarm	Untick / Tick		
		Device	Tick / Untick		
		System	Tick / Untick		
		Tools	Tick / Untick		
		Smart	Tick / Untick		
	Simple / All / Save				
	Reboot	Auto Reboot	Untick / Tick		
		Reboot	Customise		
		Refresh / Save / Reboot			
	Import and Export	Import File	Scan / Import		
		Export Path	Scan / Import		
Smart	Detection	PID	Name	Perimeter Intrusion Detection (PID)	

			Switch	Untick / Tick
			Latch Time	5S / 10S / 20S / 30S
			Post Recording	5S / 10S / 20S / 30S
			Sensitive	1 / 2 / 3 / 4
			Scene	Indoor / Outdoor
			Alarm Out	Tick / Untick
			Send Email	Untick / Tick
			Detection Type	Pedestrian &/or Vehicle
			Rule Number	1 / 2 / 3 / 4
			Rule Switch	Untick / Tick
			Rule Type	A>B / A<B / A<>B
			Enable Record	Untick / Tick
			Refresh / Save	
		LCD	Name	Line Crossing Detection (LCD)
			Switch	Untick / Tick
			Latch Time	5S / 10S / 20S / 30S
			Post Recording	5S / 10S / 20S / 30S
			Sensitive	1 / 2 / 3 / 4
			Scene	Indoor
			Alarm Out	Tick / Untick
			Send Email	Untick / Tick
			Detection Type	Pedestrian &/or Vehicle
			Rule Number	1 / 2 / 3 / 4
			Rule Switch	Untick / Tick
			Rule Type	A>B / A<B / A<>B
			Enable Record	Untick / Tick
			Refresh / Save	
		PD & VD	Name	Pedestrian Detection (PD&VD)
			Switch	Untick / Tick
			Latch Time	5S / 10S / 20S / 30S
			Post Recording	5S / 10S / 20S / 30S
			Sensitive	0 ~ 100 (Default 60)
			Alarm Out	Untick / Tick
			Send Email	Untick / Tick
			Snap Mode	Interval Mode / Realtime Mode / Default
			Snap Num	1 / 2 / 3 / Unlimited
			Snap Frequency	2 / customise
			Min Pixel	64 ~ 1080 (Default 64)
			Detection Type	Pedestrian &/or Vehicle
			Detection Mode	Motion Mode / Static Mode
			Detection Range	Full Screen / Customize
			Enable Record	Untick / Tick

			Refresh / Save
		FD	Name Face Detection (FD)
			Switch Untick / Tick
			Latch Time 5S / 10S / 20S / 30S
			Post Recording 5S / 10S / 20S / 30S
			Sensitive 0 ~ 100 (Default 60)
			Alarm Out Untick / Tick
			Send Email Untick / Tick
			Face Enhance Tick / Untick
			Snap Mode Interval Mode / Realtime Mode / Optimal Mode
			Apply Mode Frontal View / Multi Angle / Customize
			Snap Num 1 / 2 / 3 / Unlimited
			Snap Frequency 2 / customize
			Min Pixel 32 ~ 1080 (Default 32)
			Detection Mode Motion Mode / Static Mode
			Rule Kind Rect / Line
			Detection Range Full Screen / Customize
			Enable Record Untick / Tick
			Refresh / Save

7 Motorised Zoom & Focus

The vari-focal motorised zoom and focus is controlled electronically.

To control, this will differ depending on the setup of the camera, if being used with a ZIP recorder or standalone.

7.1 ZIP NVR and DVR

When using a ZIP NVR and DVR the zoom and focus for the motorised lens is controlled from PTZ control options on the live view.

To access the Control Menu via coaxitron:-

1. Click on the image in Live view
2. Click on the PTZ button at the bottom of the screen

Use the **zoom +** and **zoom -**, to zoom in and out.

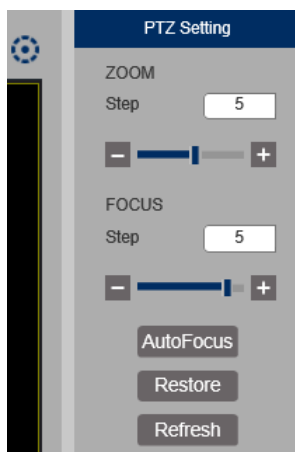
The camera will automatically focus once the zoom button is released.

Focus can also be set manually using the **focus +** and **zoom -**.

7.2 Standalone

When using the camera standalone the zoom and focus for the motorised lens is controlled from PTZ control options on the live view on the browser

Find the PTZ button at the top right in **live**.



Use the **zoom +** and **zoom -**, to zoom in and out.

The camera will automatically focus once the zoom button is released.

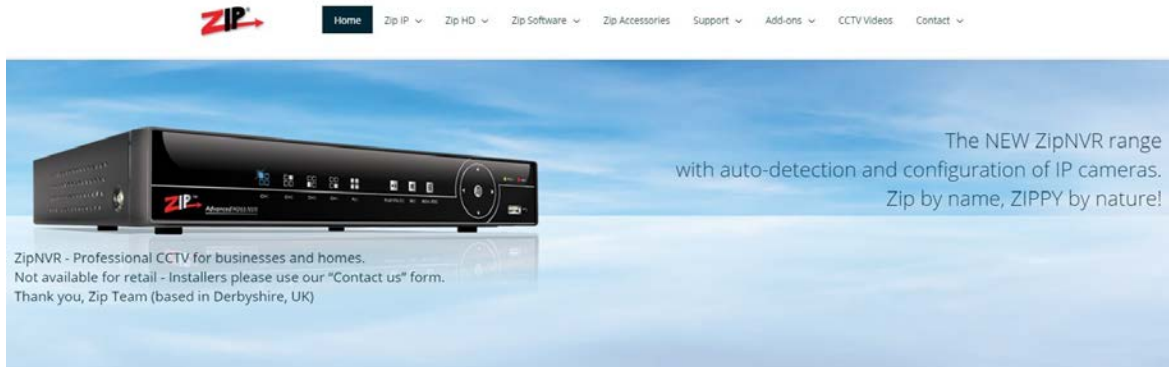
Focus can also be set manually using the **focus +** and **zoom -**.

8 Extra Resources

8.1 ZipNVR.com Website

The Zip NVR has a range of information on the cameras and NVRs, manuals, software, tools and support:-

www.zipdvr.com



8.2 Adding IP Cameras

How to guide on Adding IP Cameras:-

www.zipdvr.com/howto/TIP459-How-To-Add-IP-Cameras.html

8.3 ZIP Firmware

Firmware for the ZIP products are available online:-

www.zipdvr.com/firmware.html

Compare the firmware in the product against that available online.

AI Face Recognition is available on these model NVRs:- ZIP108, ZIP116, ZIP208, ZIP308, ZIP216 and ZIP226.

9 General Maintenance

- Routinely clean the camera to prevent dust build up as this can effect the performance of the camera. It is recommended to use a damp non-abrasive microfibre cloth.
- Routinely check the connections for power and data to ensure no water ingress and corrosion.
- Check that the cameras are firmly attached to the wall or mounting bracket.
- Check playback in the recorder to ensure the camera is recording and triggering properly.

10 Specification

10.1 IPCAI955

Image Sensor	1/ 2.7" Progressive CMOS
Resolution	5MP 2592(H)×1944(V)
Lens Type	5-50mm Motorised
Shutter	1/5 ~ 1/20000s
Day/Night	Mechanical (True Day-Night)
Min. Illumination	0 (With IR On)
IR Range	Up to 80m
Digital Noise Reduction	3D DNR
Video Compression	H.264 / H.265
Video Bitrate	8Kbps ~ 8Mbps
Stream Options	Mainstream, SubStream & MobileStream
Smart Feature	Perimeter Intrusion, Line Crossing, Pedestrian and Vehicle Detection, Facial Detection, Facial Recognition
System Compatibility	ONVIF (Profile S, Profile G, Profile T)
Connection	RJ45 10M / 100M Ethernet PoE
SD Card	Micro SD Card Slot (up to 128GB)
Alarm	1 Input / 1 Output
Audio (RCA)	1 Input / 1 Output
Input Voltage	PoE or 12V DC 750mA(PSU Required)
Consumption	8W Max
Operating Temperature	From -30 to 60 deg°C
Backlight Control	BLC / D-WDR
Use	IP66 For External Use

11 Conditions

All specifications are approximate. System Q Ltd reserves the right to change any product specifications or features without notice. Whilst every effort is made to ensure that these instructions are complete and accurate, System Q Ltd cannot be held responsible in any way for any losses, no matter how they arise, from errors or omissions in these instructions, or the performance or non-performance of the equipment that these instructions refer to.



This symbol on the products and/or accompanying documents means that used electronic equipment must not be mixed with general household waste. For treatment, recovery and recycling please return this unit to your trade supplier or local designated WEE/CG0783SS collection point as defined by your local council.

© Copyright 2020

Zip is a registered trademark of System Q Ltd, Chesterfield. Derbyshire. S40 2WB

Index

- 2 -

2.1mm 3

- A -

AI Smart Features 7

Alarm 3

Audio 3

- C -

Checking 29

Cleaning 29

Connection 5

Connections 3

Consumption 30

- D -

Dimensions 3

Download 1

DVR 28

- E -

Extras 1

- F -

Facial Detection 16

Facial Recognition 16

Firmware 28

- I -

Installation 4

IP Rating 30

- L -

Lens 30

Line Crossing Detection 11

- M -

Maintenance 29

Manual 28

- N -

NVR 5, 28

- O -

Options 5

- P -

Pedestrian Detection 13

Perimeter Intrusion Detection 9

PoE Switch 5

- R -

Recording 4

RJ45 3

- S -

SD Card 4, 30

Setup 5

Size 3

Software 1

Specification 28, 30

- T -

TIPS 28

Tools 1

- V -

Vehicle Detection 13

Voltage 30

- Z -

Zip 28

ZipFinder 1