



Instruction Manual

NiteDevil 24C Camera

IPCND702

Get Full Colour Images at Night !!

Table of Contents

Part 1 Introduction	1
1 Key Features	1
2 Essential Tools and ZipFinder	1
Part 2 Connections	3
Part 3 Mounting	4
Part 4 SD Card	4
Part 5 Setup Options	5
1 PoE ZIP NVR	5
2 Non-PoE ZIP NVR	6
Part 6 How to Login via Browser	7
Part 7 Browser Menu Settings	9
1 IPCND702	9
Part 8 Customising the Day / Night Setting to IR	13
Part 9 Turn off Deterrence LED	14
Part 10 Extra Resources	15
1 ZipNVR.com Website	15
2 Adding IP Cameras to a ZIP recorder	15
3 ZIP Firmware	15
Part 11 General Maintenance	16
Part 12 Specification	17
1 IPCND702	17
Part 13 Conditions	18
Index	19

Introduction

The all new NiteDevil® 24C can stay in full colour around the clock using the minimal amount of natural light to produce superb full colour images. It really is a game changer in performance and should be used as a part of any CCTV system requiring full colour images in key areas around entrances etc.

With built in dual IR and white light you can choose how the camera best works in your install. Using white light to give visual warning or using IR illumination to get a more discreet set up.

A built in microphone means you can see and hear what's happening, recording the audio & video on your NVR for the best possible CCTV evidence.

Dual PoE and 12V means you can power and connect the camera to POE NVRs in seconds using one simple CAT5/6 cable for video, power and audio. If your system doesn't support PoE use the 12V input or a PoE injector such as our [POE200](#).

1.1 Key Features

- Full Colour 24/7
- Sees in Low Light
- NiteDevil® Tech
- 2MP or 5MP
- Stunning Images
- ONVIF
- White or Grey Case
- IP66 In & Outdoor
- Dual PoE/12V
- Dual IR & White Light
- Wide-Angle 3.6mm
- Built-in Mic
- Metal Case
- Motion Detect
- Picture Flip

1.2 Essential Tools and ZipFinder

To install this product you will need:

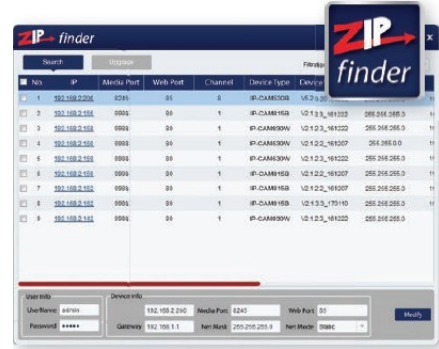
- Laptop / Windows PC
- Screwdriver
- Drill
- ZIP NVR or DVR
- PoE Switch / 12V DC power supply
- Ethernet CAT5/5e/6 Cable

ZipFinder - IP Camera Configuration Tool

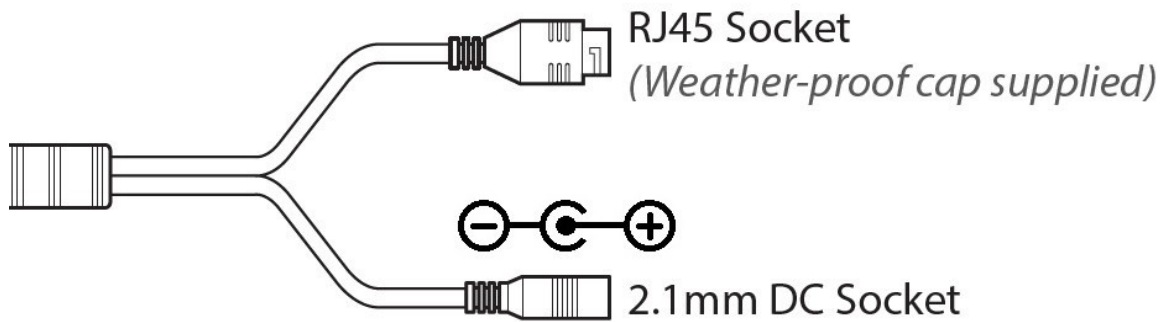
ZipFinder is a Windows PC software for discovering and configuring IP cameras a network.

Use ZipFinder on non-PoE installs, to help problem solving issues such as forgotten or unknown IP Addresses.

To download visit ZipNVR.com



Connections



Powering the camera

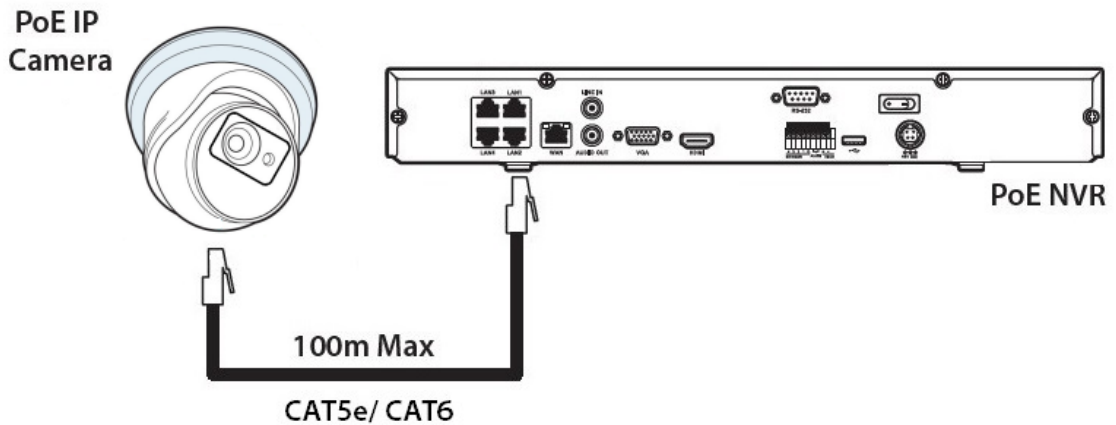
Option 1 - Power the camera from 12V DC (via the 2.1mm DC Socket), the current consumption is 400mA.

The camera is polarity sensitive so connections must be correctly made.

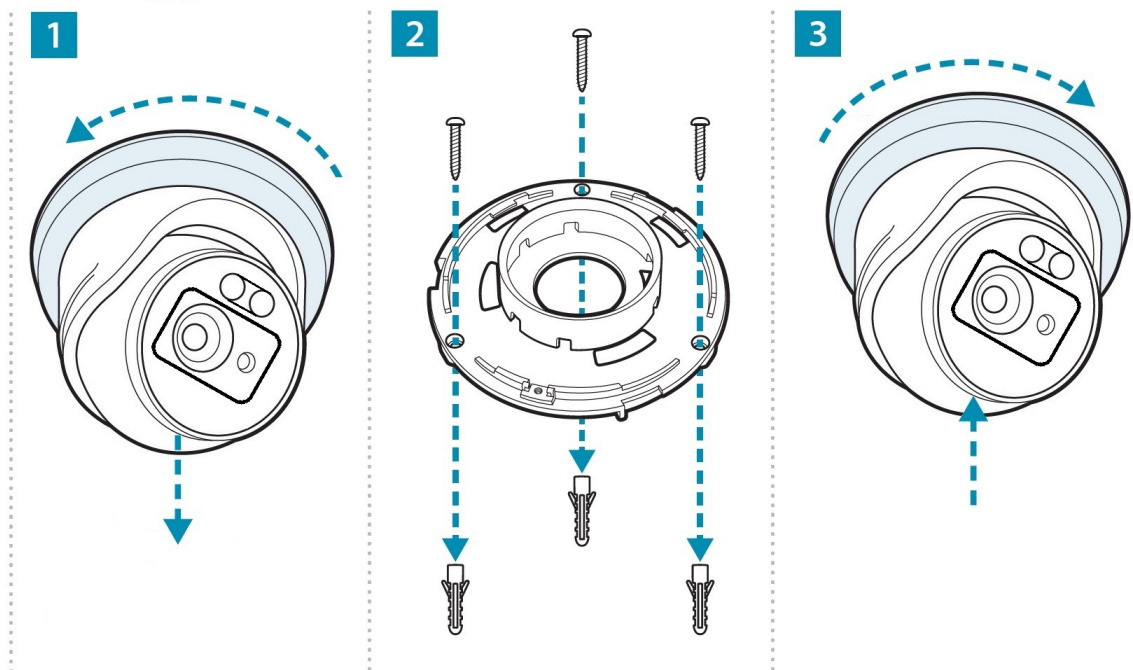
Option 2 - Power the camera using a PoE 48V RJ45 Socket

When connecting ZIP PoE NVR plug the camera directly into the NVRs built in PoE switch.

The camera should automatically become visible after being connected for approximately 1 minute.



Mounting



SD Card

The SD Card can be found on the rear of the eyeball, a small gasket will need to be removed to install the SD card.

For local recording on the camera itself an SD card must be installed.

Recording time will vary dependent upon: SD card size and encoding settings

32GB SD Card ≈ 31 hours
64GB SD Card ≈ 62 hours
128GB SD Card (MAX) ≈ 124 hours

The camera can be set to only record when triggered via *motion detection*, *alarm input* or *AI smart*, this maximises the recording time achievable.

Remove power from the camera when inserting / removing the SD card.

Setup Options

5.1 PoE ZIP NVR

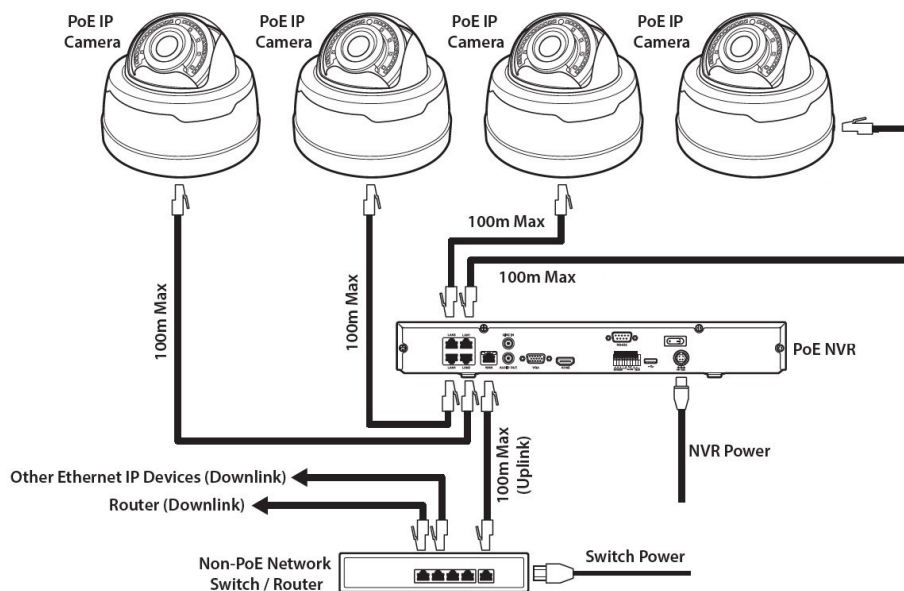
When connecting to a **ZIP PoE NVR** plug the camera directly into the NVR's built in PoE switch.

The camera should automatically become visible after being connected for approximately 1 minute.

The 100m distance for a camera can be increased when the PoE Mode is set to EPoE.

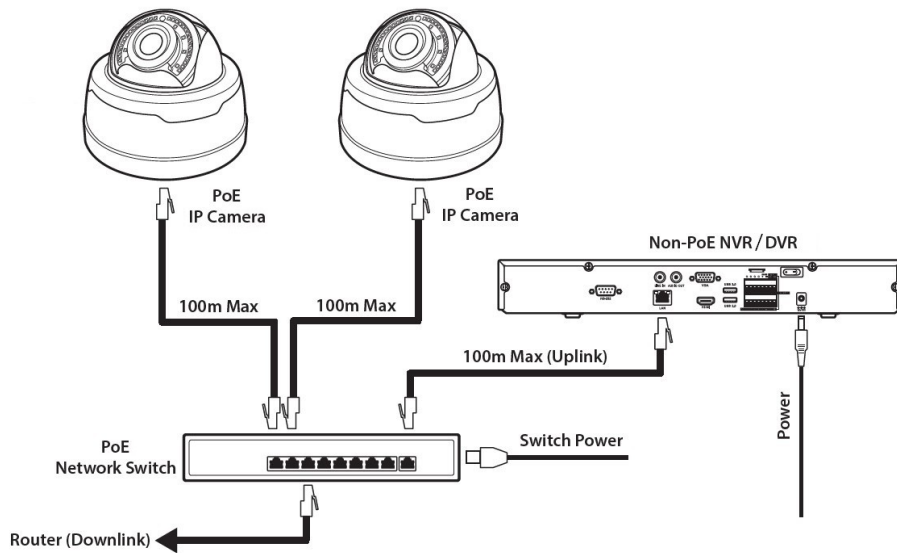
In the menu on a ZIP PoE NVR go to:-

Video > IP Channels > PoE Mode



5.2 Non-PoE ZIP NVR

When connecting cameras to a **Non-PoE NVR**, they are first connected to an external network switch which is in-turn connected to the NVR as shown below.



See [Extra Resources](#)¹⁵ for more information on **Adding IP Cameras manually** to a ZIP Recorder.

How to Login via Browser

The AI smart features can be configured in a ZIP recorder or directly in the browser interface of the camera (standalone)

Only one smart detection feature can be enabled at any given time.

See the NVR or DVR manual for information on configuring these features with a ZIP recorder.

Follow the steps below for configuring the settings directly in the camera via a browser for standalone setup.

You will need...

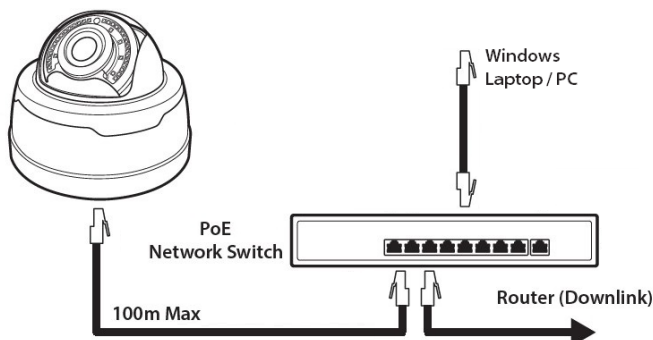
- Windows Based PC/ Laptop connected to router/ PoE switch
- ZipVision Pro App on Mobile Device
- PoE Switch connected to Network/ Router
- Ethernet network cable
- [ZipFinder](#) software, available via this link below:-

www.softcctv.com/store/Item/Zip-Finder-IP-CCTV-Security-Camera-Discovery-Tool

NOTE If the PC being used is on a different IP range to the PC then add the IP range of the camera to the PC using the below guide:-

<https://softcctv.com/helpdesk/kb/faq.php?id=571>

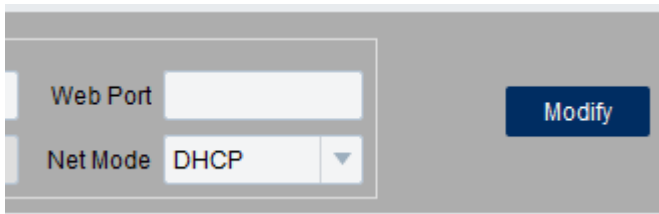
1. Plug the camera's RJ45 port with a network cable into a PoE switch



2. Using ZipFinder on a Windows Based PC/ Laptop **Search** and then tick the camera



3. Select Net Mode = **DCHP**, then click **Modify**



4. **Search** again, to get the updated IP address.

5. **Select** the IP address of the camera, Internet Explorer will pop-up, and ask to download and install the plug-in.

6. **Download, install** and follow the steps for the plug-in installation, then re-load the browser by **selecting** the IP address again.

5. Login to the IP Camera, the **default** login details are:-

User Name	admin
Password	777777

Browser Menu Settings

7.1 IPCND702

The menu be configured directly in the browser interface of the camera (standalone), in Remote Setting you will find the menu settings below:-

Video	Live	Name	Camera (user editable)		
	Image Control	Date Format	DD/MM/YYYY / MM/DD/YYYY / YYYY/MM/DD		
		Time Format	24 Hour / 12 Hour		
		Flicker Control	50Hz / 60Hz		
		Show Name	Enable / Disable		
		Show Time	Enable / Disable		
		Save / Refresh			
		Image Control	Image Setting	Full Colour Mode / Day / Night Mode / Schedule	
	White Light		Manual / Automatic mode / Schedule / OFF		
	Angle Trad		180 / 0		
	Mirror		Disable / Vertical / Horizontal / All		
	Backlight		WDR / HLC / Back Light / Disable		
	White Balance		Automatic mode / Manual		
	Shutter		Automatic mode / Manual		
	Time Exposure		1/5 to 1/200000 / Flickerless		
	Defog		OFF / Automatic mode / Manual		
	3D Noise Reduction		OFF / Automatic Mode / Manual		
	Save / Default / Refresh				
	Privacy Mask		Enable / Disable		
	Record	Encode	Mainstream	Resolution	1920 x 1080
				FPS	1 -25
Video Code Type				H.265 / H.264	
Video Code Level				Main Profile	
Bitrate Control				CBR / VBR	
Bitrate Mode				Predefined / User-Defined	
Bitrate				256 to 4096	
I Frame Interval			1 to 48		
Audio			Enable / Disable		
Save / Refresh					
Substream			Resolution	640 x 480	
			FPS	1 -20	
			Video Code Type	H.265 / H.264 / H.264+ / H.265+ / MJPEG	
		Video Code Level	Main Profile / Baseline / High Profile		
	Bitrate Control	CBR / VBR			
Bitrate Mode	Predefined / User-Defined				

			Bitrate	128 to 1024			
			I Frame Interval	1 to 40			
			Audio	Enable / Disable			
			Save / Refresh				
	Record	Record		Stream Mode	Mainstream / Substream		
				Record	Enable / Disable		
				PreRecord	Enable / Disable		
				Netbreak	Enable / Disable		
		Save / Refresh					
		Schedule	User Definable				
Save / Refresh							
Event	Setup	Motion	Enable	Enable / Disable			
			Sensitivity	1 to 8			
			Save / Refresh				
	Alarm		Deterrence	Save / Default / Refresh			
				Post Recording	OFF / 5s / 10s / 20s / 30s		
				Send Email	Enable / Disable		
				FTP Picture Upload	Enable / Disable		
				Enable Record	Enable / Disable		
				Deterrent	Enable / Disable		
	Save / Schedule / Refresh						
Network	General	General	DCHP	Enable / Disable			
			IP Address	User-definable			
			Subnet Mask	User-definable			
			Gateway	User-definable			
			DNS 1	User-definable			
			DNS 2	User-definable			
			Multicast – Mainstream	Enable / Disable			
			Save / Refresh				
			PPPoE	Enable PPPoE	Enable / Disable		
				Username	User-definable		
		Password					
		IP Address		User-definable			
		Save / Refresh					
		Port Configuration	HTTP Port	Enable / Disable	User-definable		
			Client Port				
			HTTPS Port				
			RTSP Port				
			Muticast Port	1024 – 65535			
			P2P Enable	Enable / Disable			
		Save / Refresh					
		Email	Email	Enable / Disable			
			Encryption	OFF / SSL / TLS / Automatic mode			
			SMTP Port	1 - 65535			
			SMTP Server	User-definable			
			Username				
			Password				
		Sender					

			Receiver 1		
			Receiver 2		
			Receiver 3		
			Interval		
			Save / Test / Refresh		
		FTP	FTP Enable	Enable / Disable	
			Server	User-definable	
			Port	1 – 65535	
			Username	User-definable	
			Password	User-definable	
			Transfer Images	Enable / Disable	
			Save / Refresh		
		RTSP	RTSP Enable		
			Anonymous Login	Enable / Disable	
			Instruction: rtsp://IP:RtspPort/ch01/A A: 0(main stream), 1(sub stream), 2(mobile stream)		
			Save / Refresh		
		DDNS	DDNS	Enable / Disable	
			Server	NO_IP / DYNDNS	
			Hostname	User-definable	
			Username	User-definable	
			Password	User-definable	
		IP Filter	Enable	Enable / Disable	
			Type	Enable Allow List / Enable Block List	
			Restricted Type	Allow list/ Block List	
			Save / Delete / Refresh		
Storage	Disk	Select Disk			
		Overwrite	OFF / Auto		
		Save / Format Hard Disk / Refresh			
	Audio	Enable Audio	Enable / Disable		
		Output Volume	0 – 8		
		Input Volume	0 – 8		
		Audio Code Type	G711A / G711U		
Save / Refresh					
System	General	Date and Time	Time Setting mode	Static / NTP server synchronization	
			Date Format	Day/Month/Year Year-Month-Day Month/Day/Year	
			Time Zone	GMT -12:00 to GMT + 13:00	
			Time Format	24Hour / 12 Hour	
			System Time	User-definable	
			Server Address	Time.windows.com / time.nist.gov / pool.ntp.org / Define User	
			Save / Synchronize computer time / Refresh		
		Daylight Saving Time	Daylight saving time	Enable / Disable	Set by week / set by date
			Start Time	User-definable	
			End Time	User-definable	

			Time Offset	1Hour / 2 hours		
			Save / Refresh			
Multi-User	Customize Each user	Password (Edit)	Username	User-definable		
			Password	User-definable		
			Password Strength	User-definable		
			Confirm			
	Refresh					
Maintain	Log	Log Type	System / CON. / Alarm / Account / Record / Storage / Network / All	Search		
			Start Time	User-definable		
			End Time	User-definable		
	Load Default		All / Video / Record/ Event / AI / Network/ Storage / System	Save / Refresh		
	Upgrade	Path	Search Local Files	Upgrade		
	Save / Load		Import File	Search Local Files	Import	
			Export File Name	Search Local Files	Export	
	Auto Reboot	Auto-maintenance	Time	Enable / Disable		
				Date / Week / Month		
Mon / Tues / Wed / Thur / Fri / Sat / Sun						
			Time			
			Save / Refresh / Reboot			
Information	Device ID					
	Device Name					
	Device Type					
	Hardware Version					
	Software Version					
	Web Version					
	Mac Address					
	P2P ID					
	Refresh					

Customising the Day / Night Setting to IR

Once logged into the camera browser interface:-

Go To **Remote Settings > Video > Image Control > Image Settings**

e.g. Day / Night mode if want the camera to B&W & use the IR

Suggested setting : IR Cut to Auto.

The screenshot displays the Nite Devil 24C camera's web interface. The top navigation bar includes 'Live', 'Playback', and 'Remote Setting' (which is highlighted in red). On the right side of the top bar, there are icons for a warning and power. A left-hand sidebar contains several menu categories: Video, Record, Event, AI, Network, Storage, and System. The 'Image Control' section is active, showing various settings:

- Image Setting:** Day/Night Mode (dropdown)
- IR-CUT Mode:** Auto (dropdown)
- IR-CUT Delay:** A slider set to 2
- IR-LED:** Manual (dropdown)
- Light Intensity:** A slider set to 100
- Advanced Section:**
 - Angle Trad:** 180 (dropdown)
 - Mirror:** Disable (dropdown)
 - Backlight:** Disable (dropdown)
 - White Balance:** Automatic mode (dropdown)
 - Shutter:** Automatic mode (dropdown)
 - Time Exposure:** 1/8 (dropdown)
 - Defog:** OFF (dropdown)

Turn off Deterrence LED

Once logged into the camera browser interface:-

To turn deterrence LED off also

Go to **Remote Settings > Event > Setup > Deterrence > Light > Select Off > Select SAVE**

The screenshot displays the Nite Devil 24C camera browser interface. The top navigation bar includes 'Live', 'Playback', and 'Remote Setting' (highlighted in red), along with status icons. A left sidebar menu lists various settings categories: Video, Record, Event (selected), AI, Network, Storage, and System. The main content area is titled 'Deterrence' and contains the following settings:

- Light:** A toggle switch is currently turned off.
- Brightness:** A slider is set to 60, with a range of (5 ~ 180).
- Colour Image:** A toggle switch is currently turned off.
- Deterrence Mode:** A dropdown menu is set to 'Light Warning'.
- Sensitivity:** A dropdown menu is set to 4.

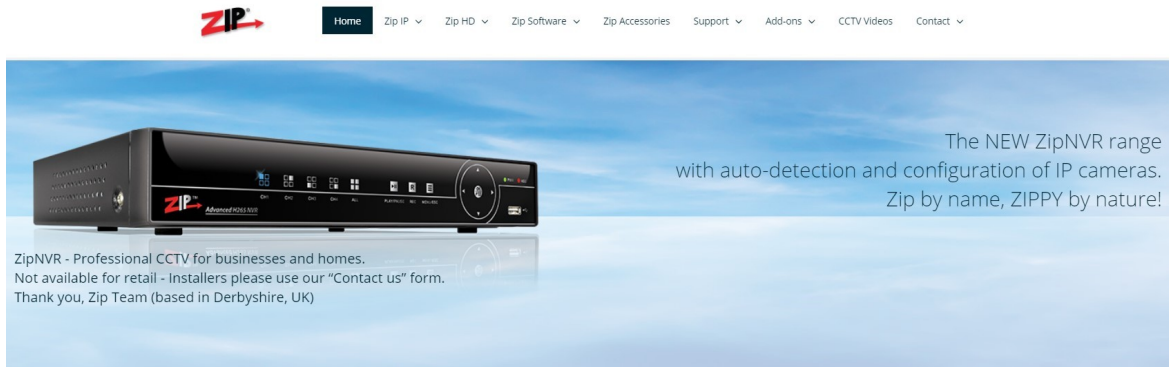
At the bottom of the settings area, there are three buttons: 'Save' (highlighted in dark blue), 'Default', and 'Refresh'.

Extra Resources

10.1 ZipNVR.com Website

The Zip NVR has a range of information on the cameras and NVRs, manuals, software, tools and support:-

www.zipdvr.com



10.2 Adding IP Cameras to a ZIP recorder

How to guide on Adding IP Cameras:-

www.zipdvr.com/howto/TIP459-How-To-Add-IP-Cameras.html

10.3 ZIP Firmware

Firmware for the ZIP products are available online:-

www.zipdvr.com/firmware.html

Compare the firmware in the product against that available online.

AI Face Recognition is available on these model NVRs:- ZIP108, ZIP116, ZIP208, ZIP308, ZIP216 and ZIP226.

General Maintenance

- Routinely clean the camera to prevent dust build up as this can effect the performance of the camera. It is recommended to use a damp non-abrasive microfibre cloth.
- Routinely check the connections for power and data to ensure no water ingress and corrosion.
- Check that the cameras are firmly attached to the wall or mounting bracket.
- Check playback in the recorder to ensure the camera is recording and triggering properly.

Specification

12.1 IPCND702

Resolution	2MP (1920 x 1080)
Lens Type	Wide Angle 3.6mm Fixed
Video Compression	H264 / H265
Bit Rate	128Kbps ~ 4Mbps
Shutter	1/5 ~ 1/20000s
Min. Illumination	Colour 24/7
Day/Night Function	Auto or Scheduled
Microphone	Built-in
IR LEDs	2x High Power
IR Range	Up to 30m
White Light	2x High Power
White Light Range	Up to 25m
Gain Control	Auto
Video Connection	RJ45 Socket
Onvif	Yes
Protocol	TCP/IP, HTTP, DHCP, DNS, DDNS, RTP/RTSP
Other Protocols	SMTP, NTP, UPnP, SNMP, HTTPS, FTP
White Balance	Auto / Manual
Input Voltage	12V DC (400mA) / PoE 48V
Consumption	5W Max
Power Connection	12V – 2.1mm DC Socket / PoE – RJ45
IP Rating	IP66
Build	Metal
Dimensions	100mm x (H) 90mm

Conditions

All specifications are approximate. System Q Ltd reserves the right to change any product specifications or features without notice. Whilst every effort is made to ensure that these instructions are complete and accurate, System Q Ltd cannot be held responsible in any way for any losses, no matter how they arise, from errors or omissions in these instructions, or the performance or non-performance of the equipment that these instructions refer to.



This symbol on the products and/or accompanying documents means that used electronic equipment must not be mixed with general household waste. For treatment, recovery and recycling please return this unit to your trade supplier or local designated WEE/CG0783SS collection point as defined by your local council.

© Copyright 2020

NiteDevil is a registered trademark of System Q Ltd, Chesterfield. Derbyshire. S40 2WB

Index

- C -

Checking and cleaning the camera 16
Connections 3

- D -

Day / Night Setting 13

- E -

Essential Tools and software 1
Extra Resources and help 15

- I -

Installation 4
Installing an SD Card 4

- L -

Login via browser interface 7

- M -

Maintenance 16
Mounting the camera 4

- S -

Setup and Connection Options 5
Specification 17