



## Instruction Manual

NiteDevil 24C Camera

IPCND705

Get Full Colour Images at Night !!

# Table of Contents

<b>Part 1 Introduction</b>	<b>1</b>
1 Key Features .....	1
2 Essential Tools and ZipFinder .....	1
<b>Part 2 Connections</b>	<b>3</b>
<b>Part 3 Mounting</b>	<b>4</b>
<b>Part 4 SD Card</b>	<b>4</b>
<b>Part 5 Setup Options</b>	<b>5</b>
1 PoE ZIP NVR .....	5
2 Non-PoE ZIP NVR .....	6
<b>Part 6 How to Login via Browser</b>	<b>7</b>
<b>Part 7 Browser Menu Settings</b>	<b>9</b>
1 IPCND705 .....	9
<b>Part 8 Customising the Day / Night Setting to IR</b>	<b>16</b>
<b>Part 9 Turn off Deterrence LED</b>	<b>17</b>
<b>Part 10 AI Features</b>	<b>18</b>
1 PD & VD = Pedestrian Detection and Vehicle Detection .....	18
2 PID = Perimeter Intrusion Detection .....	21
3 LCD = Line Crossing Detection .....	23
<b>Part 11 Extra Resources</b>	<b>25</b>
1 ZipNVR.com Website .....	25
2 Adding IP Cameras to a ZIP recorder .....	25
3 ZIP Firmware .....	25
<b>Part 12 General Maintenance</b>	<b>26</b>
<b>Part 13 Specification</b>	<b>27</b>
1 IPCND705 .....	27
<b>Part 14 Conditions</b>	<b>28</b>
<b>Index</b>	<b>29</b>

## Introduction

The all new NiteDevil® 24C can stay in full colour around the clock using the minimal amount of natural light to produce superb full colour images. It really is a game changer in performance and should be used as a part of any CCTV system requiring full colour images in key areas around entrances etc.

With built in dual IR and white light you can choose how the camera best works in your install. Using white light to give visual warning or using IR illumination to get a more discreet set up.

A built in microphone means you can see and hear what's happening, recording the audio & video on your NVR for the best possible CCTV evidence.

Dual PoE and 12V means you can power and connect the camera to POE NVRs in seconds using one simple CAT5/6 cable for video, power and audio. If your system doesn't support PoE use the 12V input or a PoE injector such as our [POE200](#).

### 1.1 Key Features

- Full Colour 24/7
- Sees in Low Light
- NiteDevil® Tech
- 2MP or 5MP
- Stunning Images
- ONVIF
- White or Grey Case
- IP66 In & Outdoor
- Dual PoE/12V
- Dual IR & White Light
- Wide-Angle 3.6mm
- Built-in Mic
- Metal Case
- Motion Detect
- Picture Flip

### 1.2 Essential Tools and ZipFinder

To install this product you will need:

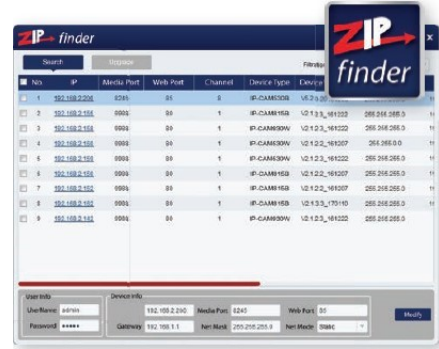
- Laptop / Windows PC
- Screwdriver
- Drill
- ZIP NVR or DVR
- PoE Switch / 12V DC power supply
- Ethernet CAT5/5e/6 Cable

## ZipFinder - IP Camera Configuration Tool

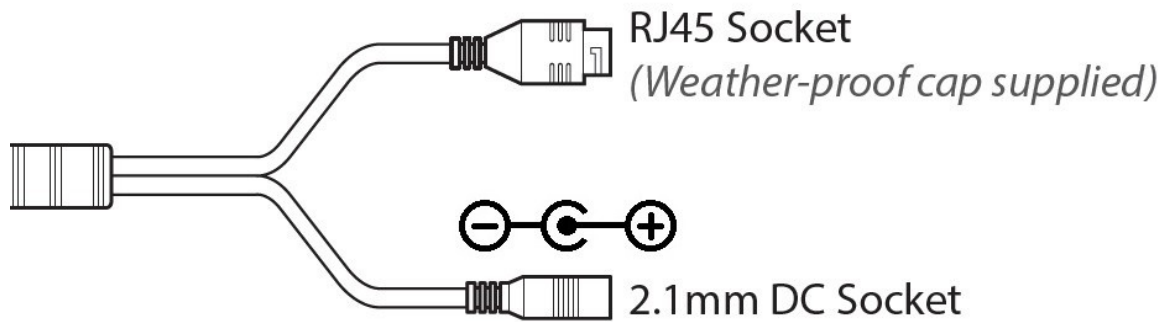
ZipFinder is a Windows PC software for discovering and configuring IP cameras a network.

Use ZipFinder on non-PoE installs, to help problem solving issues such as forgotten or unknown IP Addresses.

To download visit [ZipNVR.com](http://ZipNVR.com)



## Connections



### Powering the camera

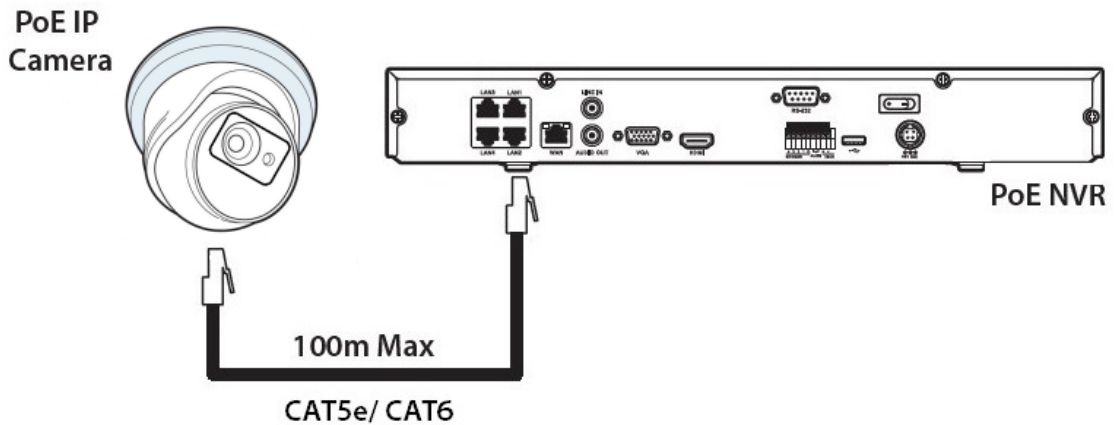
Option 1 - Power the camera from 12V DC (via the 2.1mm DC Socket), the current consumption is 400mA.

The camera is polarity sensitive so connections must be correctly made.

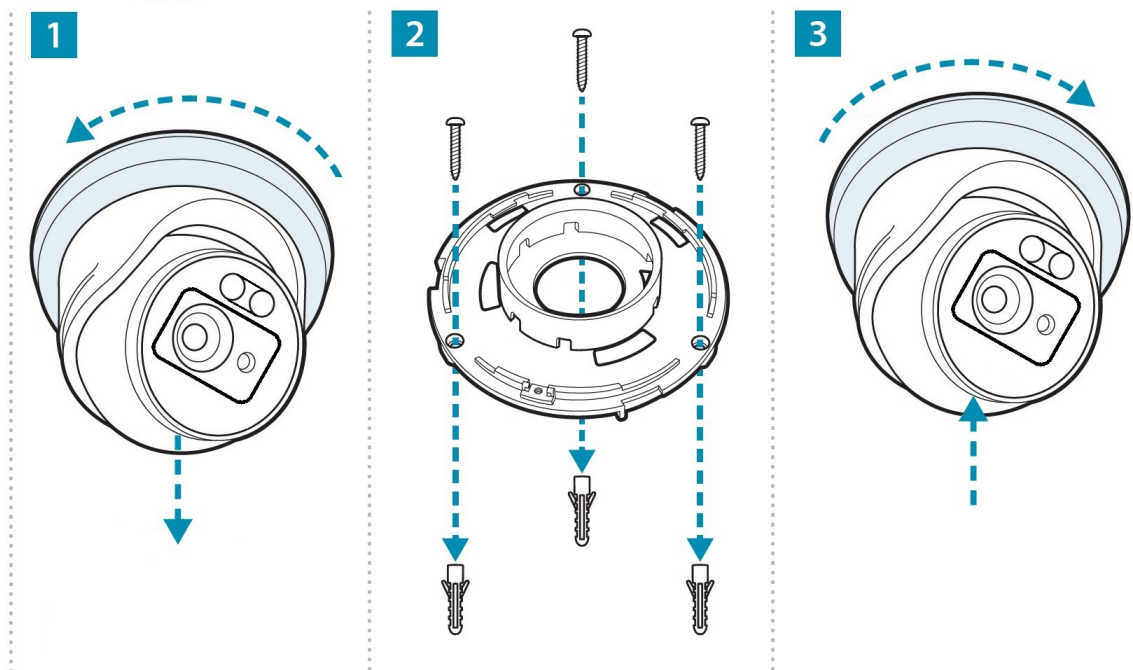
Option 2 - Power the camera using a PoE 48V RJ45 Socket

When connecting ZIP PoE NVR plug the camera directly into the NVRs built in PoE switch.

The camera should automatically become visible after being connected for approximately 1 minute.



## Mounting



## SD Card

The SD Card can be found on the rear of the eyeball, a small gasket will need to be removed to install the SD card.

For local recording on the camera itself an SD card must be installed.

Recording time will vary dependent upon: SD card size and encoding settings

**32GB SD Card ≈ 31 hours**  
**64GB SD Card ≈ 62 hours**  
**128GB SD Card (MAX) ≈ 124 hours**

The camera can be set to only record when triggered via *motion detection*, *alarm input* or *AI smart*, this maximises the recording time achievable.

Remove power from the camera when inserting / removing the SD card.

## Setup Options

### 5.1 PoE ZIP NVR

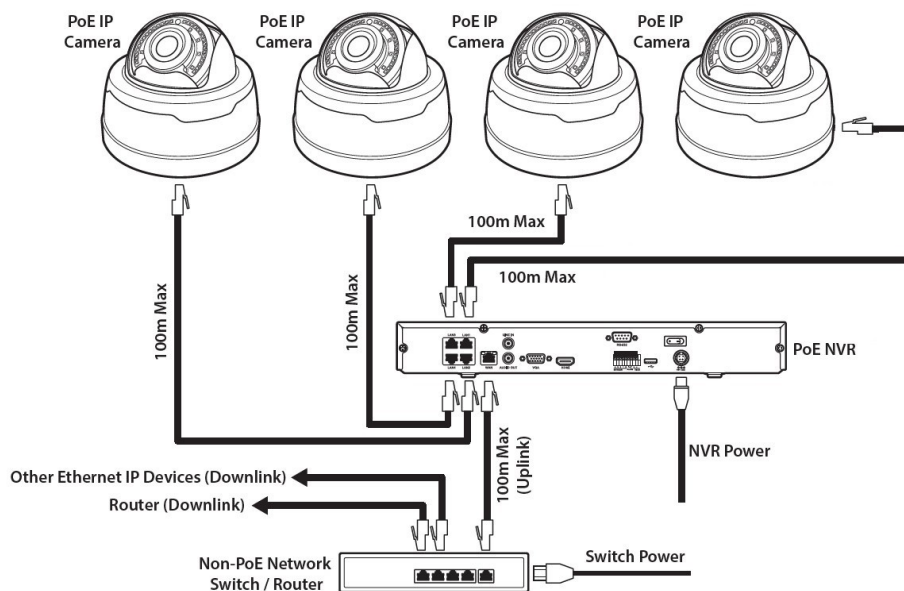
When connecting to a **ZIP PoE NVR** plug the camera directly into the NVR's built in PoE switch.

The camera should automatically become visible after being connected for approximately 1 minute.

The 100m distance for a camera can be increased when the PoE Mode is set to EPoE.

In the menu on a ZIP PoE NVR go to:-

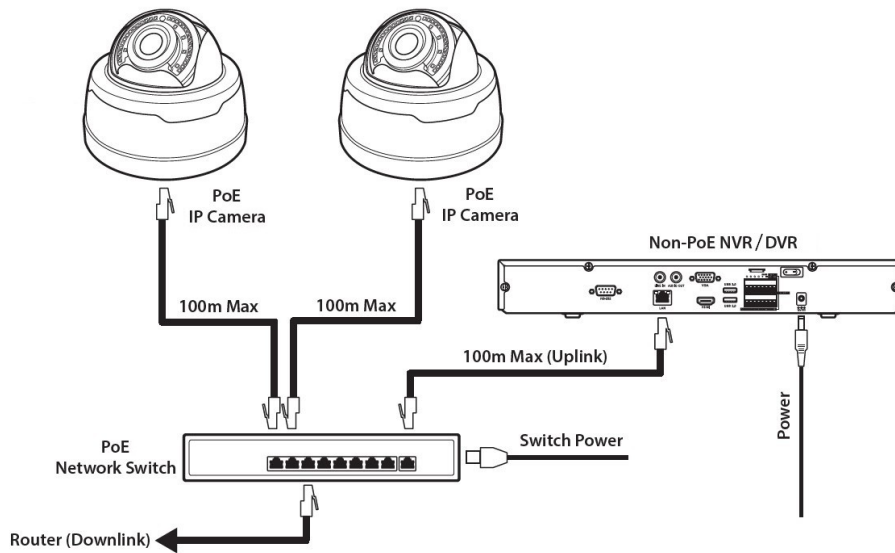
**Video > IP Channels > PoE Mode**





## 5.2 Non-PoE ZIP NVR

When connecting cameras to a **Non-PoE NVR**, they are first connected to an external network switch which is in-turn connected to the NVR as shown below.



See [Extra Resources](#) <sup>25</sup> for more information on **Adding IP Cameras manually** to a ZIP Recorder.



## How to Login via Browser

The AI smart features can be configured in a ZIP recorder or directly in the browser interface of the camera (standalone)

Only one smart detection feature can be enabled at any given time.

**See the NVR or DVR manual for information on configuring these features with a ZIP recorder.**

Follow the steps below for configuring the settings directly in the camera via a browser for standalone setup.

You will need...

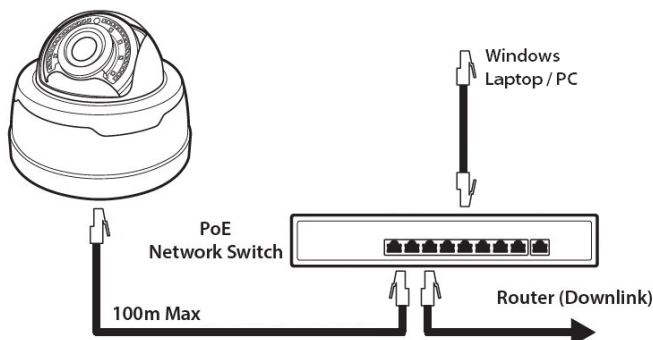
- Windows Based PC/ Laptop connected to router/ PoE switch
- ZipVision Pro App on Mobile Device
- PoE Switch connected to Network/ Router
- Ethernet network cable
- [ZipFinder](#) software, available via this link below:-

[www.softcctv.com/store/Item/Zip-Finder-IP-CCTV-Security-Camera-Discovery-Tool](http://www.softcctv.com/store/Item/Zip-Finder-IP-CCTV-Security-Camera-Discovery-Tool)

NOTE If the PC being used is on a different IP range to the PC then add the IP range of the camera to the PC using the below guide:-

<https://softcctv.com/helpdesk/kb/faq.php?id=571>

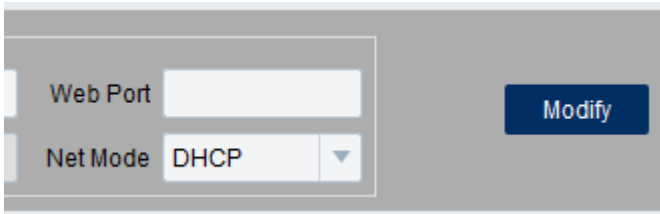
1. Plug the camera's RJ45 port with a network cable into a PoE switch



2. Using ZipFinder on a Windows Based PC/ Laptop **Search** and then tick the camera



3. Select Net Mode = **DCHP**, then click **Modify**



4. **Search** again, to get the updated IP address.

5. **Select** the IP address of the camera, Internet Explorer will pop-up, and ask to download and install the plug-in.

6. **Download, install** and follow the steps for the plug-in installation, then re-load the browser by **selecting** the IP address again.

5. Login to the IP Camera, the **default** login details are:-

User Name	<b>admin</b>
Password	<b>777777</b>

## Browser Menu Settings

### 7.1 IPCND705

The menu be configured directly in the browser interface of the camera (standalone), in Remote Setting you will find the menu settings below:-

Video	Live	Name	Camera (user editable)		
	Image Control	Date Format	DD/MM/YYYY / MM/DD/YYYY / YYYY/MM/DD		
		Time Format	24 Hour / 12 Hour		
		Flicker Control	50Hz / 60Hz		
		Show Name	Enable / Disable		
		Show Time	Enable / Disable		
		Save / Refresh			
		Image Control	Image Setting	Full Colour Mode / Day / Night Mode / Schedule	
			White Light	Manual / Automatic mode / Schedule / OFF	
	Angle Trad		180 / 0		
	Mirror		Disable / Vertical / Horizontal / All		
	Backlight		WDR / HLC / Back Light / Disable		
	White Balance		Automatic mode / Manual		
	Shutter		Automatic mode / Manual		
	Time Exposure		1/5 to 1/200000 / Flickerless		
	Defog		OFF / Automatic mode / Manual		
	3D Noise Reduction		OFF / Automatic Mode / Manual		
	Save / Default / Refresh				
	Privacy Mask		Enable / Disable		
	Record	Encode	Mainstream	Resolution	2880 x 1620 / 2560 x1440 / 2304 x 1296 / 1920 x 1080 / 1280 x 720
				FPS	1 -25
				Video Code Type	H.265 / H.264 / H.264+ / H.265+
Video Code Level				Main Profile	
Bitrate Control				CBR / VBR	
Bitrate Mode				Predefined / User-Defined	
Bitrate				256 to 8192	
I Frame Interval				1 to 100	
Audio				Enable / Disable	
Save / Refresh					
		Substream	Resolution	1280 x 720 / 640 x 480 / 320 x 240	
	FPS		1 -25		

			Video Code Type	H.265 / H.264 / H.264+ / H.265+ / MJPEG		
			Video Code Level	Main Profile / Baseline / High Profile		
			Bitrate Control	CBR / VBR		
			Bitrate Mode	Predefined / User-Defined		
			Bitrate	128 to 4096		
			I Frame Interval	1 to 40		
			Audio	Enable / Disable		
			Save / Refresh			
			Mobilestream	Enable	Enable / Disable	
			Resolution	640 x 480 / 320 x 240		
			FPS	1 – 25		
			Video Code Type	H.265 / H.264 / H.264+ / H.265+		
			Video Code Level	Main Profile		
			Bitrate Control	CBR / VBR		
	Bitrate Mode	Predefined / User-Defined				
	Bitrate	8 to 1536				
	I Frame Interval	1 to 100				
	Audio	Enable / Disable				
	Save / Refresh					
	Record	Record	Record	Stream Mode	Mainstream / Substream	
Record				Enable / Disable		
PreRecord				Enable / Disable		
Netbreak				Enable / Disable		
Save / Refresh						
Schedule		User Definable				
Save / Refresh						
Event	Setup	Motion	Enable	Enable / Disable		
			Sensitivity	1 to 8		
			Save / Refresh			
		Deterrence	Save / Default / Refresh			
	Alarm	Post Recording	OFF / 5s / 10s / 20s / 30s			
			Send Email	Enable / Disable		
			FTP Picture Upload	Enable / Disable		
			Enable Record	Enable / Disable		
			Deterrent	Enable / Disable		
			Save / Schedule / Refresh			
AI	Setup	PD & VD	Enable	Enable / Disable		
			Sensitivity	0 to 100		
			Dynamic Marking	Enable / Disable		
			Snap Mode	Default / Realtime Mode / Interval Mode		
			Min Pixel	64 – 1080		
			Max Pixel	320 – 1080		

			Detection Type	Pedestrian & Vehicle / OFF / Person / Vehicle
			Detection Mode	Motion Mode / Static Mode
			Detection Range	Full Screen / Customize
			Save / Refresh	
		PID	Enable	Enable / Disable
			Sensitivity	1 to 4
			Dynamic Marking	Enable / Disable
			Detection Type	Pedestrian & Vehicle / Person / Vehicle
			Rule Number	1 to 4
			Rule Enable	Enable / Disable
			Rule Type	A→B / B→A / A←→ B
			Save / Refresh	
		LCD	Enable	Enable / Disable
			Sensitivity	1 to 4
			Dynamic Marking	Enable / Disable
			Detection Type	Pedestrian & Vehicle / Person / Vehicle
			Rule Number	1 to 4
			Rule Enable	Enable / Disable
			Rule Type	A→B / B→A / A←→ B
			Save / Refresh	
		SOD	Enable	Enable / Disable
			Sensitivity	1 to 4
			Dynamic Marking	Enable / Disable
			Rule Number	1 to 4
			Rule Enable	Enable / Disable
			Rule Type	Legacy / Lost / Lost & Legacy
			Save / Refresh	
		CC	Enable	Enable / Disable
			Sensitivity	1 to 4
			Dynamic Marking	Enable / Disable
			Type	Person / Motion / Vehicle
			Alarm Number	1 to 255
			Start Time	User definable
			End Time	User definable
			Rule Number	1
			Rule Enable	Enable / Disable
			Rule Type	A→B / B→A
			Save / Refresh / Reset Count	
			HM	Enable
		Rule Number		1
		Rule Enable		Enable / Disable
		CD	Enable	Enable / Disable

			Sensitivity	1 to 4
			Dynamic Marking	Enable / Disable
			Min Pixel	32 – 1080
			Max Pixel	640 – 1080
			Max Detection Number	1 - 500
			Detection Range	Full Screen / Customize
			Rule Number	1
			Save / Refresh	
		QD	Enable	Enable / Disable
			Sensitivity	1 to 4
			Dynamic Marking	Enable / Disable
			Min Pixel	32 – 1080
			Max Pixel	320 – 1080
			Max Detection Number	1 – 100
			Max Pro Time	60
			Detection Range	Full Screen / Customize
			Rule Enable	Enable / Disable
			Save / Refresh	
	Alarm	PD&VD / PID / LCD / SOD / CC / CD / QD	Post Recording	OFF / 5s / 10s / 20s / 30s
			Send Email	Enable / Disable
			FTP Picture Upload	Enable / Disable
			Enable Record	Enable / Disable
			Deterrent	Enable / Disable
			Save / Schedule / Refresh	
	Statistics	Human & Vehicle Detection Cross Counting Statistics	Date	
			Intelligent Search	
			Export	
			Report Type	Daily report / Weekly Report / Monthly report / Annual report
			Detection Type	Motion / Person / Vehicle
			Cross Type	Cross in / Cross out
			System Time	User-definable
			Column Chart / Line Chart	
		Heat Map Statistics	Report Type	Daily report / Weekly Report / Monthly report / Annual report
			Date	User-definable
			Start Hour	
			End Hour	
			Space Heat Map / Time Heat Map	
			Spatial density legend	L – H
Network	General	General	DCHP	Enable / Disable
			IP Address	User-definable

			Subnet Mask	User-definable	
			Gateway	User-definable	
			DNS 1	User-definable	
			DNS 2	User-definable	
			Multicast – Mainstream	Enable / Disable	
			Save / Refresh		
		PPPoE	Enable PPPoE	Enable / Disable	
			Username	User-definable	
			Password		
			IP Address		
			Save / Refresh		
		Port Configuration	HTTP Port	Enable / Disable	User-definable
			Client Port		
			HTTPS Port		
			RTSP Port		
			Muticast Port	1024 – 65535	
			P2P Enable	Enable / Disable	
				Save / Refresh	
		Email	Email	Enable / Disable	
			Encryption	OFF / SSL / TLS / Automatic mode	
			SMTP Port	1 - 65535	
			SMTP Server	User-definable	
			Username		
			Password		
			Sender		
			Receiver 1		
			Receiver 2		
			Receiver 3		
			Interval		
			Save / Test / Refresh		
		FTP	FTP Enable	Enable / Disable	
			Server	User-definable	
			Port	1 – 65535	
			Username	User-definable	
			Password	User-definable	
			Transfer Images	Enable / Disable	
				Save / Refresh	
		RTSP	RTSP Enable		
			Anonymous Login	Enable / Disable	
			Instruction: rtsp://IP:RtspPort/ch01/A A: 0(main stream), 1(sub stream), 2(mobile stream)		
				Save / Refresh	
		DDNS	DDNS	Enable / Disable	
			Server	NO IP / DYNDNS	



			Hostname	User-definable		
			Username	User-definable		
			Password	User-definable		
		IP Filter	Enable	Enable / Disable		
			Type	Enable Allow List / Enable Block List		
			Restricted Type	Allow list/ Block List		
			Save / Delete / Refresh			
Storage	Disk	Select Disk				
		Overwrite	OFF / Auto			
		Save / Format Hard Disk / Refresh				
	Audio	Enable Audio	Enable / Disable			
		Output Volume	0 – 8			
		Input Volume	0 – 8			
		Audio Code Type	G711A / G711U			
Save / Refresh						
System	General	Date and Time	Time Setting mode	Static / NTP server synchronization		
			Date Format	Day/Month/Year Year-Month-Day Month/Day/Year		
			Time Zone	GMT -12:00 to GMT + 13:00		
			Time Format	24Hour / 12 Hour		
			System Time	User-definable		
			Server Address	Time.windows.com / time.nist.gov / pool.ntp.org / Define User		
			Save / Synchronize computer time / Refresh			
		Daylight Saving Time	Daylight saving time	Enable / Disable	Set by week / set by date	
			Start Time	User-definable		
			End Time	User-definable		
	Time Offset		1Hour / 2 hours			
	Save / Refresh					
	Multi-User	Customize Each user	Password (Edit)	Username	User-definable	
				Password	User-definable	
				Password Strength	User-definable	
		Refresh		Confirm		
	Maintain	Log	Log Type	System / CON. / Alarm / Account / Record / Storage / Network / All		Search
Start Time				User-definable		
End Time				User-definable		
Load Default		All / Video / Record/ Event / AI / Network/ Storage / System				

			Save / Refresh		
		Upgrade	Path	Search Local Files	Upgrade
		Save / Load	Import File	Search Local Files	Import
			Export File Name	Search Local Files	Export
		Auto Reboot	Auto-maintenance Time	Enable / Disable	
				Date / Week / Month	
				Mon / Tues / Wed / Thur / Fri / Sat / Sun	
				Time	
				Save / Refresh / Reboot	
	Information	Device ID			
		Device Name			
		Device Type			
		Hardware Version			
		Software Version			
		Web Version			
		Mac Address			
		P2P ID			
		Refresh			

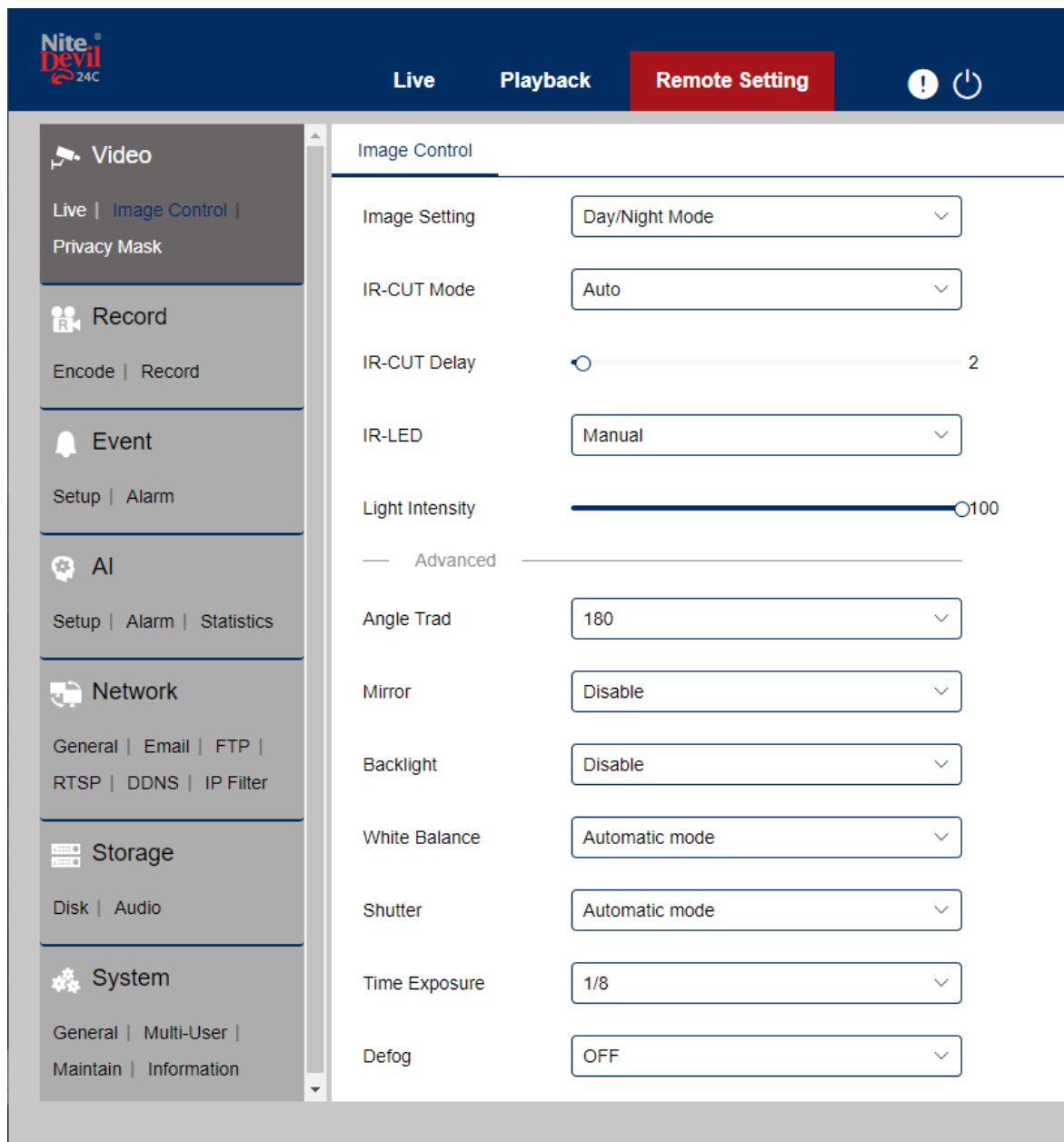
## Customising the Day / Night Setting to IR

Once logged into the camera browser interface:-

Go To **Remote Settings > Video > Image Control > Image Settings**

e.g. Day / Night mode if want the camera to B&W & use the IR

Suggested setting : IR Cut to Auto.



The screenshot displays the Nite Devil 24C camera browser interface. The top navigation bar includes 'Live', 'Playback', and 'Remote Setting' (highlighted in red), along with a warning icon and a power icon. The left sidebar contains a menu with categories: Video (Live | Image Control | Privacy Mask), Record (Encode | Record), Event (Setup | Alarm), AI (Setup | Alarm | Statistics), Network (General | Email | FTP | RTSP | DDNS | IP Filter), Storage (Disk | Audio), and System (General | Multi-User | Maintain | Information). The main content area is titled 'Image Control' and lists various settings:

- Image Setting: Day/Night Mode (dropdown)
- IR-CUT Mode: Auto (dropdown)
- IR-CUT Delay: 2 (slider)
- IR-LED: Manual (dropdown)
- Light Intensity: 100 (slider)
- Advanced section:
  - Angle Trad: 180 (dropdown)
  - Mirror: Disable (dropdown)
  - Backlight: Disable (dropdown)
  - White Balance: Automatic mode (dropdown)
  - Shutter: Automatic mode (dropdown)
  - Time Exposure: 1/8 (dropdown)
  - Defog: OFF (dropdown)

## Turn off Deterrence LED

Once logged into the camera browser interface:-

To turn deterrence LED off also

Go to **Remote Settings > Event > Setup > Deterrence > Light > Select Off > Select SAVE**

The screenshot displays the Nite Devil 24C camera browser interface. The top navigation bar includes 'Live', 'Playback', and 'Remote Setting' (highlighted in red), along with a warning icon and a power icon. The left sidebar contains menu categories: Video (Live, Image Control, Privacy Mask), Record (Encode, Record), Event (Setup, Alarm), AI (Setup, Alarm, Statistics), Network (General, Email, FTP, RTSP, DDNS, IP Filter), Storage (Disk, Audio), and System (General, Multi-User, Maintain, Information). The main content area is titled 'Deterrence' and shows the following settings:

- Light:  (toggled off)
- Brightness:  (range 5 ~ 180)
- Colour Image:  (toggled off)
- Deterrence Mode:
- Sensitivity:

At the bottom of the settings area are three buttons: 'Save' (dark blue), 'Default' (light blue), and 'Refresh' (light blue).

## AI Features

The AI smart features can be configured in a ZIP recorder or directly in the browser interface of the camera (standalone)

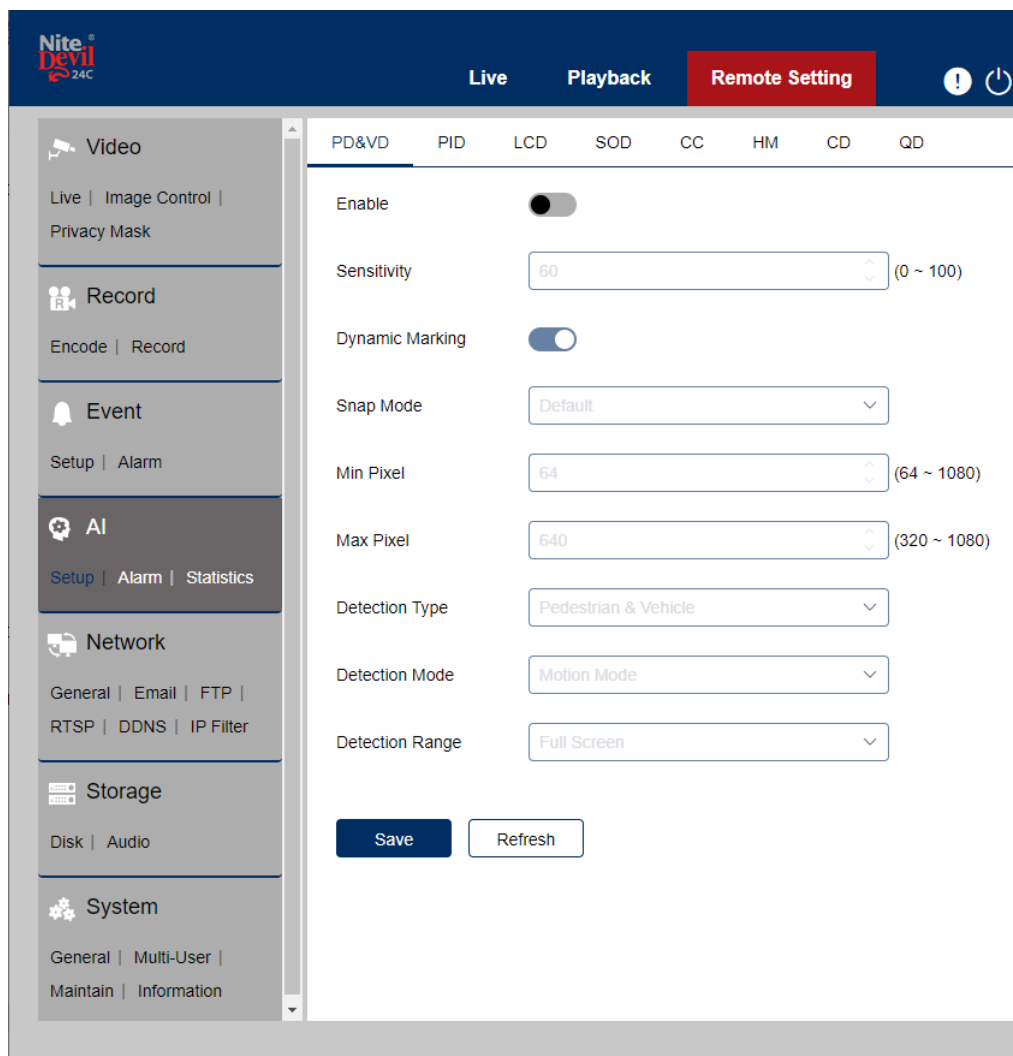
Only one smart detection feature can be enabled at any given time.

**See the NVR or DVR manual for information on configuring these features with a ZIP recorder.**

Note :- Additional features (SOD, CC, HM, CD and QD) will be added at a later date.

### 10.1 PD & VD = Pedestrian Detection and Vehicle Detection

Pedestrian detection and vehicle detection can be set to trigger an alarm event in a custom area when it detects pedestrians, vehicles or both.



**Enable - Enable / Disable** this AI feature.

**Sensitivity** - Determines how much activity or movement is required to generate an event. Options are **1 - 4**.

**1** = Lowest sensitivity level, a significant amount of movement is needed to trigger.

**4** = Highest sensitivity level, only a small amount of moment is needed to trigger.

**Dynamic Marking - Enable / Disable** - Shows an overlay of the triggering area when triggered.

**Snap Mode** - Set how the camera will capture thumbnail snapshots when triggered.

**Default** = Will only capture a snapshot when subjects are first detected. Additional thumbnail snapshots will only be captured if the subject leaves the camera's image and returns.

**Realtime:** Only capture a snapshot from just before the subject leaves the image.

**Interval Mode** = Customize how many and how often thumbnail snapshots are captured using the **snap num** and **snap frequency** fields.

**Snap Num** - Set how many snapshots are captured for each event.

**1** = Will capture a single snapshot when the subject is first detected.

**2** = Will capture a snapshot when the subject is first detected and one further snapshot at the interval as set by the snap frequency, if the subject is still present.

**3** = Will capture a snapshot when the subject is first detected and two further snapshots, one further snapshot at the interval as set by the snap frequency, if the subject is still present.

**Unlimited** = Will continuously capture a snapshot at the interval as set by the snap frequency, if the subject is still present.

**Snap Frequency** - Customise how often the camera will capture a snapshot (in seconds), this is a timer which will remain active as long as the subject is present. If the subject leaves the camera's image and returns a snapshot will be captured and the timer will reset.

**Min / Max Pixel** - Set the trigger size, this can be set as a minimum width between 64 pixels to 1080 pixels. Customize the size depending on how far away the camera is away from the subject.

**Detection Type** - Options are motion, pedestrian, vehicle or both pedestrian and vehicle.

**Detection Mode** - How the detection will handle motion and stationary objects.

**Motion mode** = Will only detect moving subjects.

**Static mode** = Will detect moving subjects but also stationary pedestrians and vehicles are in the alarm area.

**Detection Range** - Set the detection area for the image.

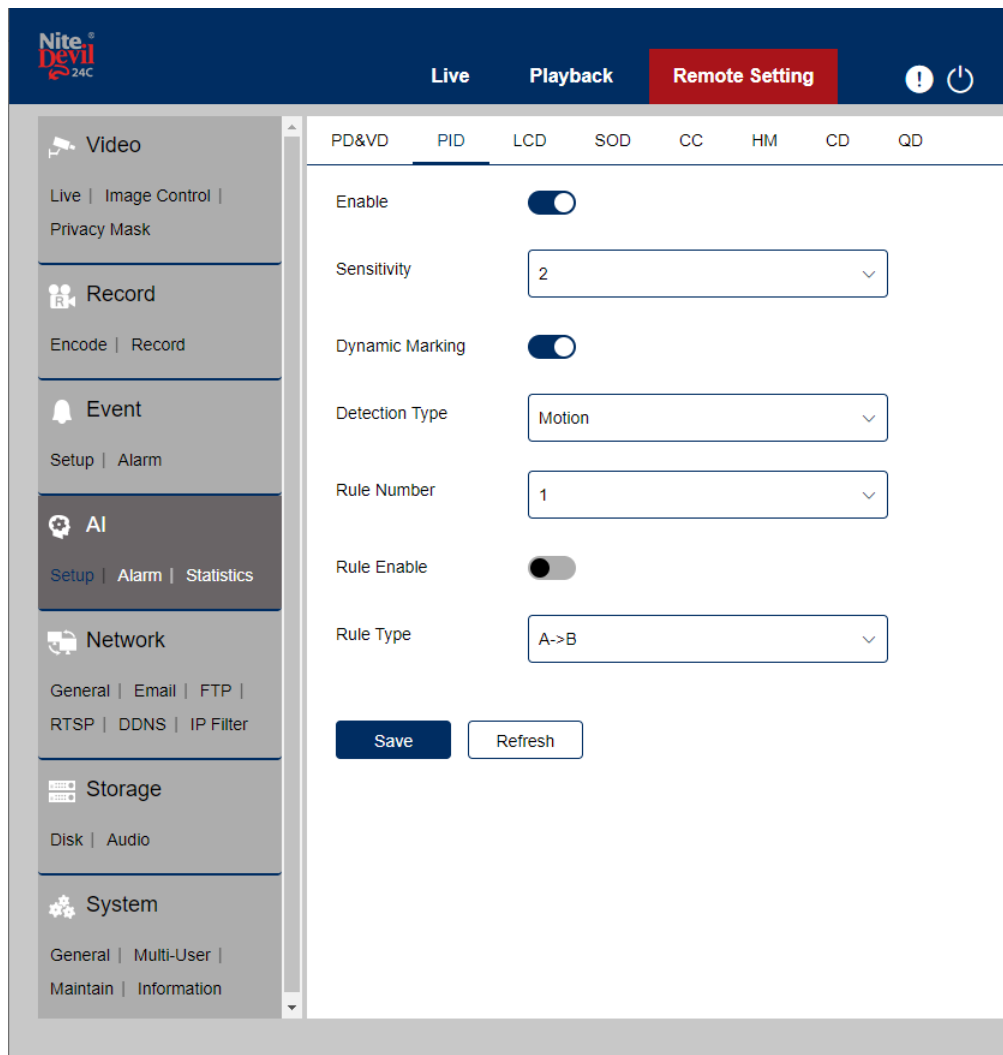
**Customize** = Customise a defined detection area.

**Full Screen** = Set to Monitor the entire image.



## 10.2 PID = Perimeter Intrusion Detection

Perimeter intrusion detection can be set to trigger an alarm event when movement is detected in a set area.



**Enable = Enable / Disable** this AI feature.

**Sensitivity** - Determines how much activity or movement is required to generate an event. Options are **1 - 4**.

**1** = Lowest sensitivity level, a significant amount of movement is needed to trigger.

**4** = Highest sensitivity level, only a small amount of moment is needed to trigger.

**Dynamic Marking - Enable / Disable** - Shows an overlay of the triggering area when triggered.

**Detection Type** - Options are motion, pedestrian, vehicle or both pedestrian and vehicle.

**Rule Number** - Up to 4 areas can be set independently in the image area. Use this to enable / disable each of the 4 rules.

**Rule Enable** - Tick to enable or disable the detection that rule for the rule number selected.

**Rule Type** - The determines how the direction of moment over the perimeter is handled.

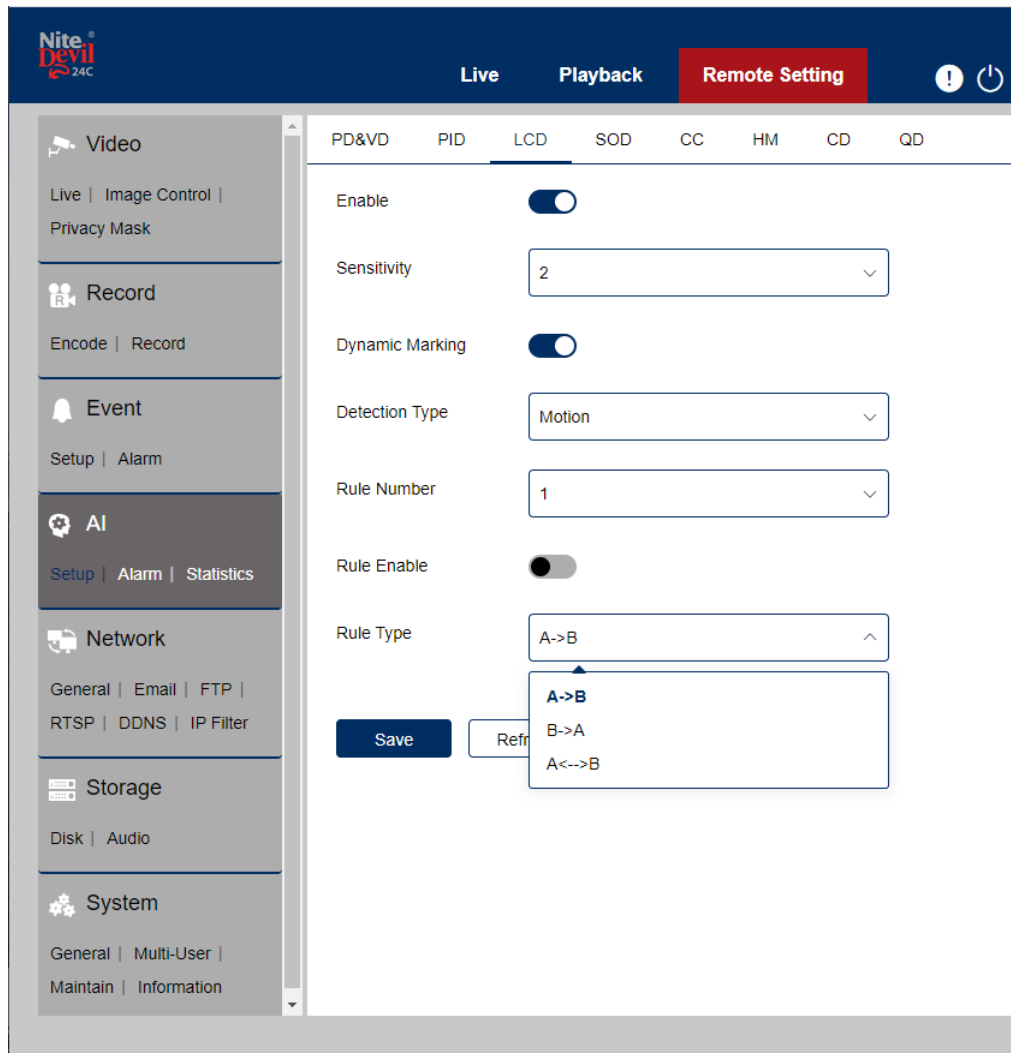
**A to B (A->B)** = Only movement in the direction A to B will trigger.

**B to A (B->A)** = Only movement in the direction B to A will trigger.

**A or B (A<->B)** = Any moment direction over the perimeter will trigger.

## 10.3 LCD = Line Crossing Detection

Line crossing detection can be set to trigger an alarm event when movement is detected across a custom line.



**Enable** = Enable / Disable this AI feature.

**Sensitivity** - Determines how much activity or movement is required to generate an event. Options are 1 - 4.

1 = Lowest sensitivity level, a significant amount of movement is needed to trigger.

4 = Highest sensitivity level, only a small amount of moment is needed to trigger.

**Dynamic Marking - Enable / Disable** - Shows an overlay of the triggering area when triggered.

**Detection Type** - Options are motion, pedestrian, vehicle or both pedestrian and vehicle.

**Rule Number** - Up to 4 areas can be set independently in the image area. Use this to enable / disable each of the 4 rules.

**Rule Enable** - Tick to enable or disable the detection that rule for the rule number selected.

**Rule Type** - The determines how the direction of moment over the perimeter is handled.

**A to B (A->B)** = Only movement in the direction A to B will trigger.

**B to A (B->A)** = Only movement in the direction B to A will trigger.

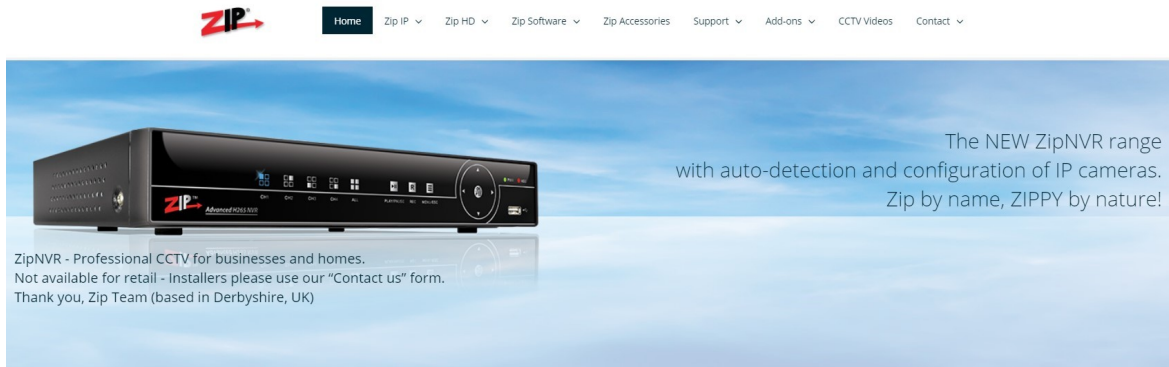
**A or B (A<->B)** = Any moment direction over the perimeter will trigger.

## Extra Resources

### 11.1 ZipNVR.com Website

The Zip NVR has a range of information on the cameras and NVRs, manuals, software, tools and support:-

[www.zipdvr.com](http://www.zipdvr.com)



### 11.2 Adding IP Cameras to a ZIP recorder

How to guide on Adding IP Cameras:-

[www.zipdvr.com/howto/TIP459-How-To-Add-IP-Cameras.html](http://www.zipdvr.com/howto/TIP459-How-To-Add-IP-Cameras.html)

### 11.3 ZIP Firmware

Firmware for the ZIP products are available online:-

[www.zipdvr.com/firmware.html](http://www.zipdvr.com/firmware.html)

Compare the firmware in the product against that available online.

AI Face Recognition is available on these model NVRs:- ZIP108, ZIP116, ZIP208, ZIP308, ZIP216 and ZIP226.

## General Maintenance

- Routinely clean the camera to prevent dust build up as this can effect the performance of the camera. It is recommended to use a damp non-abrasive microfibre cloth.
- Routinely check the connections for power and data to ensure no water ingress and corrosion.
- Check that the cameras are firmly attached to the wall or mounting bracket.
- Check playback in the recorder to ensure the camera is recording and triggering properly.

## Specification

### 13.1 IPCND705

Resolution	5MP (2880 x 1620)
Lens Type	Wide Angle 3.6mm Fixed
Video Compression	H264 / H265
Bit Rate	8Kbps ~ 8Mbps
Shutter	1/5 ~ 1/20000s
Min. Illumination	Colour 24/7
Day/Night Function	Auto or Scheduled
Microphone	Built-in
IR LEDs	2x High Power
IR Range	Up to 30m
White Light	2x High Power
White Light Range	Up to 25m
Gain Control	Auto
Video Connection	RJ45 Socket
Onvif	Yes
Protocol	TCP/IP, HTTP, DHCP, DNS, DDNS, RTP/RTSP
Other Protocols	SMTP, NTP, UPnP, SNMP, HTTPS, FTP
White Balance	Auto / Manual
Input Voltage	12V DC (400mA) / PoE 48V
Consumption	5W Max
Power Connection	12V – 2.1mm DC Socket / PoE – RJ45
IP Rating	IP66
Build	Metal
Dimensions	100mm x (H) 90mm



## Conditions

*All specifications are approximate. System Q Ltd reserves the right to change any product specifications or features without notice. Whilst every effort is made to ensure that these instructions are complete and accurate, System Q Ltd cannot be held responsible in any way for any losses, no matter how they arise, from errors or omissions in these instructions, or the performance or non-performance of the equipment that these instructions refer to.*



*This symbol on the products and/or accompanying documents means that used electronic equipment must not be mixed with general household waste. For treatment, recovery and recycling please return this unit to your trade supplier or local designated WEE/CG0783SS collection point as defined by your local council.*

© Copyright 2020

NiteDevil is a registered trademark of System Q Ltd, Chesterfield. Derbyshire. S40 2WB

# Index

## - C -

Checking and cleaning the camera 26  
Connections 3

## - D -

Day / Night Setting 16

## - E -

Essential Tools and software 1  
Extra Resources and help 25

## - I -

Installation 4  
Installing an SD Card 4

## - L -

Line Crossing Detection 23  
Login via browser interface 7

## - M -

Maintenance 26  
Mounting the camera 4

## - P -

Pedestrian Detection 18  
Perimeter Intrusion Detection 21

## - S -

Setup and Connection Options 5  
Specification 27

## - V -

Vehicle Detection 18