



## NiteDevil Board Camera - It Sees What Other Cameras Can't!

This Hi-Res NiteDevil Board Camera produces a very clear image with fantastic colour representation. A 12V DC camera offering low light sensitivity down to 0.00019 Lux @ F1.2 using the Sens-Up feature.

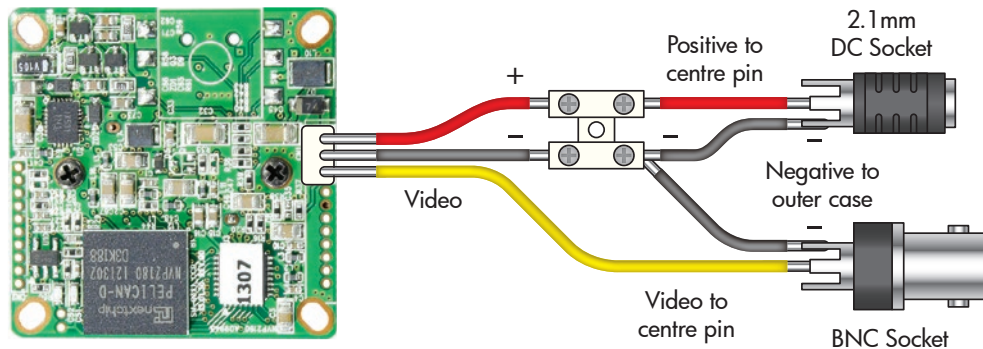
This superb board camera is packed with features including 4 zone motion detection, 8 zone privacy masking, Digital Zoom, Smart Digital Zoom activated by motion detection & Mirror function great for vehicle reversing use.

We also offer a number of dome housings in a range of sizes, style and colour.

## Connecting The PCB804

The PCB804 is easy to connect as it supplied with a cable with a BNC socket and 2.1mm DC socket which connects straight to the PCB. (Right)

If you wish to wire the PCB yourself the helpful diagram below shows you how. (3 wire flylead included)



For an explanation of NiteDevil technology and how it works see online tip 264 ▶▶▶



## Features

- 700 TVL Col / 800TVL B&W
- 1/3" Colour
- 3.6mm Board
- 0.00019 Lux (NiteDevil Mode)
- Day Night
- 12V DC
- Digital Zoom Function
- Privacy Masking
- Motion Detection
- Mirror Function

## Specification

FUNCTION	SPECIFICATION
Image Sensor	1/3" Colour
Resolution	700 TVL Col / 800TVL B&W
Lens Type	3.6mm Board
Image Output	1 Volt Peak-Peak 75 ohm
Minimum Illumination	0.00019 Lux (NiteDevil Mode)
Input Voltage	12V DC
Current Consumption	120mA
SN Ratio	More than 52dB
Gain Control	AGC On/Off
Operating Temperature	From -25° to 50° C
Dimensions	32mm x 32mm x 32mm

## Options Available

PART CODE	DESCRIPTION
PCB804	Nitedevil 700TVL Board Camera

## Other Products To Consider



Black Dome Housing, Ø87mm  
CCT491



Anti-vandal Dome Housing, Ø138mm  
CCT496

All specifications are approximate. System Q Ltd reserves the right to change any product specifications or features without notice. Whilst every effort is made to ensure that these instructions are complete and accurate, System Q Ltd cannot be held responsible in any way for any losses, no matter how they arise, from errors or omissions in these instructions, or the performance or non-performance of the equipment that these instructions refer to.

This symbol on the products and/or accompanying documents means that used electronic equipment must not be mixed with general household waste. For treatment, recovery and recycling please return this unit to your trade supplier or local designated collection point as defined by your local council.  
WEE/CG0783SS