



Extend PoE Cable Runs Up To 100m!

An effective little device that splits and extends network cable runs up to 100M further across 4 separate spurs.

Fitted at the end of a 100m cable run the POE104 can then split into 4 separate runs for another 100M run each. Typically used on large networks, this is ideal for splitting into 4 individual runs for IP cameras.

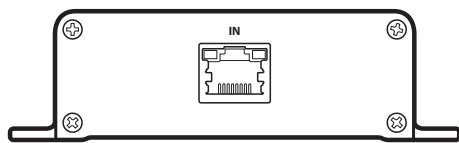
Designed in a compact wall mount case with fixing lugs for easy installation, the POE104 has 1 input socket (RJ45) and 4 output sockets (RJ45). The input socket has a maximum rating of 25.5W whilst up to 15W can be outputted on any of the 4 output sockets though this is limited to an output of 24W overall.

The unit is compatible on 10 and 100Mbps networks.

Connections

The POE104 is really easy to connect with its simple plug and play RJ45 sockets. The unit is powered via PoE so no additional cabling is required.

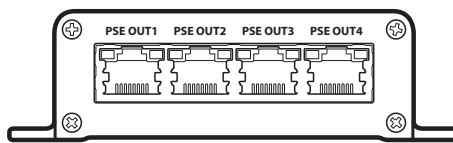
PoE Input



The POE104 is connected to the network switch using a UTP cable (CAT5 or better) terminated into an RJ45 plug.

The IEEE802.3at standard input accepts a maximum of 25.5W.

PSE Outputs



The four IEEE802.3af standard outputs can provide a maximum of 24W across all outputs with a maximum of 15.4W per port.

Features

- Extend PoE Runs Up To 100m
- Supports 10 & 100Mbps
- Plug & Play
- 24W Max Across All Ports
- 15.4W Max Output Per Port

Specification

FUNCTION	SPECIFICATION
Connections	RJ45 Ports
Cable	CAT5 Or Better
PoE Standard In	IEEE802.3at
PoE Standard Out	IEEE802.3af
PoE Input Power	25.5W Max
PoE Output Power	Max 24W Total Max 15.4W Per Port
Status Indicators	LED
PoE Supply Type	End-Span 1/2(+), 3.6(-)
Max Cable Run In	100m
Max Cable Run Out	100m
Working Temp	0°C ~ 40°C
Dimensions	105 x 93 x 28.5mm

Options Available

PART CODE	DESCRIPTION
POE104	4 Port PoE Extender

Other Products To Consider



Black CAT5e
Cable, 100m
CAB200



RapidFit RJ45 Plugs,
100 Pack
CON830

All specifications are approximate. System Q Ltd reserves the right to change any product specifications or features without notice. Whilst every effort is made to ensure that these instructions are complete and accurate, System Q Ltd cannot be held responsible in any way for any losses, no matter how they arise, from errors or omissions in these instructions, or the performance or non-performance of the equipment that these instructions refer to.



This symbol on the products and/or accompanying documents means that used electronic equipment must not be mixed with general household waste. For treatment, recovery and recycling please return this unit to your trade supplier or local designated collection point as defined by your local council.



To see how to get the most out of PoE in your CCTV system see online tip 399 ▶▶▶

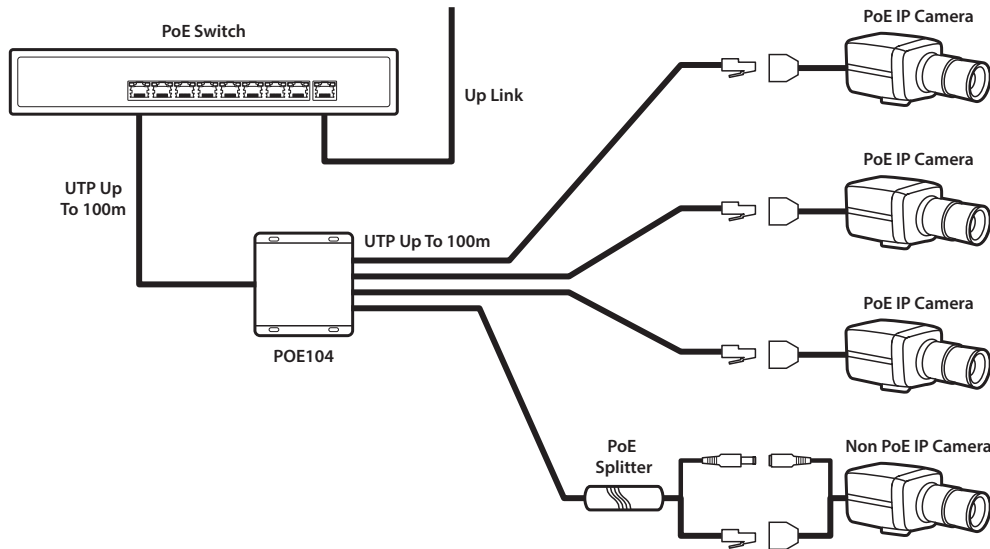
LED Status Indicators

The yellow and green LEDs above each port show its current working status as described in the table below. The Yellow LED on the left of the port shows the PoE/PSE activity and the Green LED on the right shows the Link activity.

LED	STATE	STATUS
PoE Input (Yellow)	On	POE104 unit is connected to switch
	Off	POE104 unit is not connected to switch
PSE Output (Yellow)	On	PD (Powered Device) is connected
	Off	No PD (Powered Device) connected
Link (Green)	On	Port is connecting
	Flashing	Port is transmitting/receiving data
	Off	The port has not linked successfully

How It Works

The POE104 is easy to install into an IP CCTV system as shown below. It can even be used with PoE splitters to power non-PoE devices.



Features

- Extend PoE Runs Up To 100m
- Supports 10 & 100Mbps
- Plug & Play
- 24W Max Across All Ports
- 15.4W Max Output Per Port

Specification

FUNCTION	SPECIFICATION
Connections	RJ45 Ports
Cable	CAT5 Or Better
PoE Standard In	IEEE802.3at
PoE Standard Out	IEEE802.3af
PoE Input Power	25.5W Max
PoE Output Power	Max 24W Total Max 15.4W Per Port
Status Indicators	LED
PoE Supply Type	End-Span 1/2(+), 3.6(-)
Max Cable Run In	100m
Max Cable Run Out	100m
Working Temp	0°C ~ 40°C
Dimensions	105 x 93 x 28.5mm

Options Available

PART CODE	DESCRIPTION
POE104	4 Port PoE Extender

Other Products To Consider

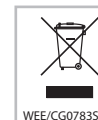


Black CAT5e
Cable, 100m
CAB200



RapidFit RJ45 Plugs,
100 Pack
CON830

All specifications are approximate. System Q Ltd reserves the right to change any product specifications or features without notice. Whilst every effort is made to ensure that these instructions are complete and accurate, System Q Ltd cannot be held responsible in any way for any losses, no matter how they arise, from errors or omissions in these instructions, or the performance or non-performance of the equipment that these instructions refer to.



WEE/CG078355

This symbol on the products and/or accompanying documents means that used electronic equipment must not be mixed with general household waste. For treatment, recovery and recycling please return this unit to your trade supplier or local designated collection point as defined by your local council.