

# *the PTZ140 range*

## Installation and Operation Manual

### 8" External PTZ Dome Camera

Models covered

PTZ140

PTZ140F



PTZ140



PTZ140F

Auto Scan Function

Manual Control

---

## CONTENTS TABLE

<b>Description</b>	<b>Page No.</b>
Contents	2
Safety Precautions	3
Key Functions	4
Getting the dome up & running	5
Overview – introduction to fitting PTZ equipment	5
RS485 Wiring methods & Tips	7
Overcoming RS485 data loss using an RS485 distributor	10
Setting up the Dome Camera	12
RS485 connection – Connecting the Keypad or DVR to the Dome	13
Connecting the video out of the dome	15
Setting the PTZ dip switches	17
Setting up a unique address in a dome	18
Setup of the Protocol and the Default Baud Rate	19
Using the PTZ730 keypad	21
Auto Scan – How to run it.	22
Test Button – How to use it.	22
Installation Instructions	23
Technical Data	25
Camera connection data	25

---

Please read this operation manual carefully  
before installing and using this unit !!!!



**Please read the following;**

1. Please read the operation manual carefully before installing and operating the product.
2. The actual dome requires a 24v AC power supply. The rated input voltage of the camera is 12V!!!! This gets its power from the dome and does not require a separate PSU. Do not connect 24V AC to the camera under any circumstances!!
3. During the course of transportation, storage and installation, the product should be handled with care avoiding vibration and any weight pressure, which may cause damage to the sophisticated optical and electronic equipment inside the machine.
4. Do not attempt to disassemble the camera. In order to prevent electric shock, do not remove screws or covers. There are no user-serviceable parts inside the camera.
5. Always use and stick to current electrical safety standards to install and use the dome. Use a correctly rated power supply. The RS-485 and video signal cables should be kept way from other high voltage equipment such as mains cables and especially fluorescent lights. Using an anti surge protection device is recommended to prevent damage to the domes from lightning and mains surges. Damage to domes by lightning or mains voltage surges is not covered under the dome's warranty.
6. Do not operate in areas exceeding the stipulated limitations concerning temperature, humidity and power supply.
7. Do not aim the camera directly towards the sun or an extreme light source whether it is switched on or not. Do not let the camera focus on bright and stationery objects for a long time. Doing either of these may damage the camera.
8. Do not use strong detergents to clean the main body of the camera as these may damage the dome cover or paintwork. Wipe dirt with dry cloth. If needed a *mild* detergent can be used.
9. Operate the dome camera with great care to avoid shock or vibration. If operated incorrectly, the Dome could be damaged.
10. Ensure the dome is not dropped. Never mount the unit on a wall that cannot support its weight.
11. If necessary, use a commercial lens cleaning paper to clear the lens windows. Gently wipe the lens window until clean.

---

## KEY FUNCTIONS

### ***PTZ140 Range***

A basic PTZ dome camera for budget applications which incorporates a high-clarity colour camera. It has a ¼" colour CCD, 3.9 – 85.8mm vari-focal lens and produces video at 540TVL. It is supplied with a wall mount bracket and has a multifunctional decoder and an on-board processor for logic handling. The dome is easy to connect, install, maintain and operate. The dome is supplied in two models, one with a clear dome cover PTZ140 and one with a silvered dome cover PTZ140F.

Inside the PTZ140 series the PTZ mechanism is more basic and it does not have the capabilities of presets and the other advanced functions of the ExcelPRO range.

Typical uses of the PTZ140 dome would be for basic auto-scanning of larger warehouses etc.

### **Description of Functions**

#### **1. Integrated Multi-Protocol Decoder**

The integrated multifunctional decoder can communicate with 16 different protocols. The baud rate can be independently set allowing compatibility with numerous systems with selectable baud rates from 2400 bps to 19200 bps.

#### **2. Dip Switches**

Dip switches control the selection of the protocol, baud rate, camera addresses and termination resistor making this dome camera easy to set up and use.

#### **3. RS485 Interface**

This dome uses RS485 serial control and can address from 1 to 511 cameras using binary addresses.

#### **4. Rotation Range, Speeds and Limitations**

The dome can turn 0-355° horizontally at a speed of 9° per second and 0-90° vertically at 9° per second with a precision rate of ±2%. The unit is adjustable in the horizontal direction.

#### **5. Scan Facilities**

The dome can scan horizontally between two points. The points are manually set in the dome by two limit switches secured by screws. The scan can be initiated by using a keypad.

#### **6. Test Button**

This dome is fitted with a test button to manually undertake a self-check test. The dome will pan and tilt in a horizontal and vertical direction continuously. Press the test button again to stop or touch the joystick on the keypad.

---

## Getting the dome up and running!



You **MUST** connect the dome and your control equipment on a workbench or kitchen table before the actual site installation and **CHECK YOU KNOW HOW TO INSTALL IT CORRECTLY!!!!!!!!!!!!!!!!!!!!!!**.

By doing this you can set-up any DIP switches, adjust the camera, and learn about how it operates before taking it to site. This will save you hours of time on-site trying to work out why a particular item doesn't function as you expected it to. There is nothing worse than installing something and then having to take it down to see how to get it working!! Do the learning curve in the comfort of your own premises!!!!

**Do you KNOW how to install PTZ equipment that is controlled by RS485 data signals?**

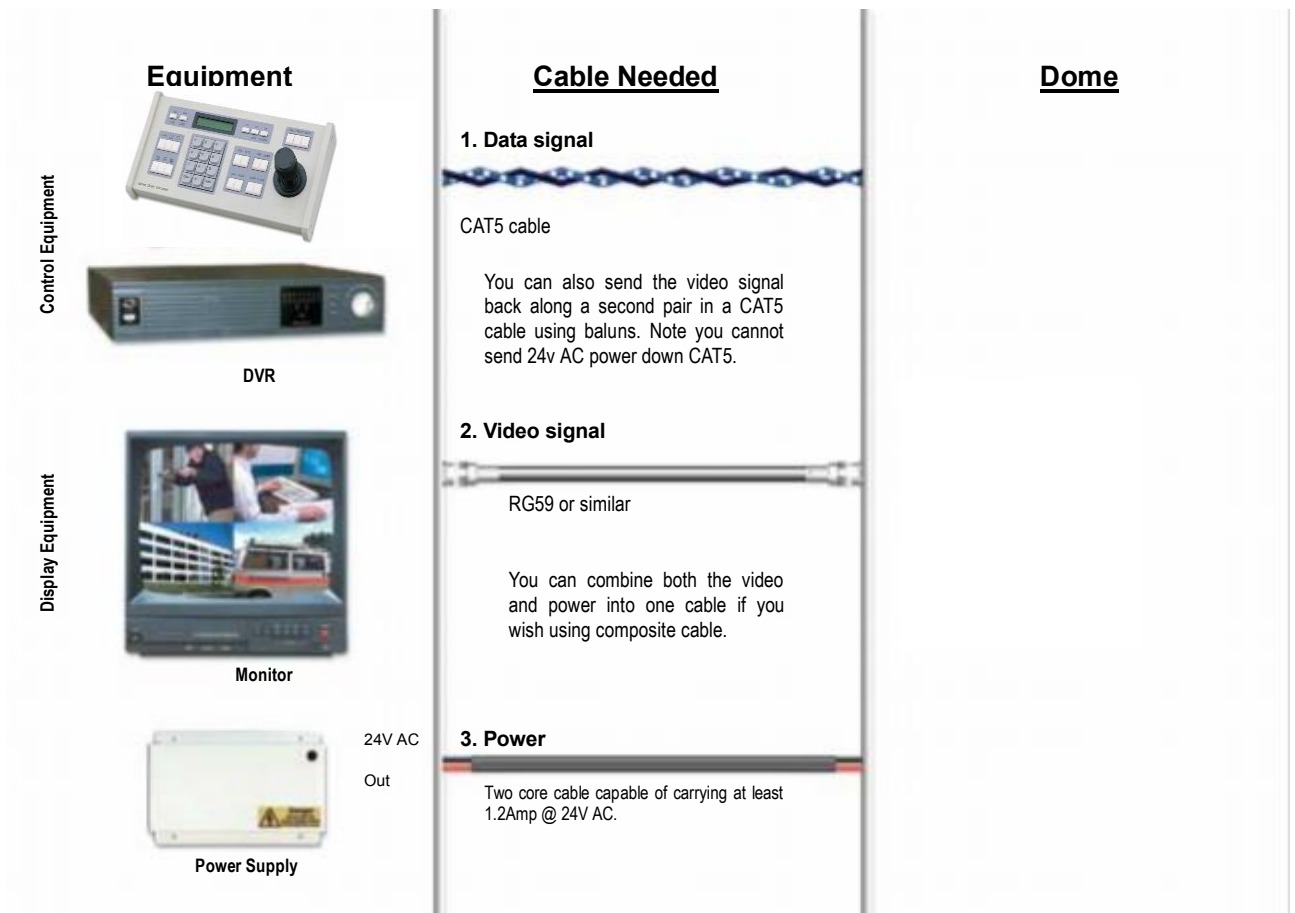
***If not please read the following introduction to PTZ >>>....***

### **Overview- introduction to fitting PTZ equipment**

Generally speaking, PTZ Domes requires four things;

- 1- They require a power supply and a cable to supply this power to the dome. Often, external domes are 24V AC but some mini pan and tilt domes are 12V DC.
- 2- They require a cable to get the video signal back to the monitor or recording device.
- 3- They require a cable to transmit the "RS485 control signal" from the keypad or DVR to tell the dome to pan, tilt and zoom etc.
- 4- They require something to control them, either a keypad or a DVR.

The following diagram indicates the basic cable requirements for a PTZ system.

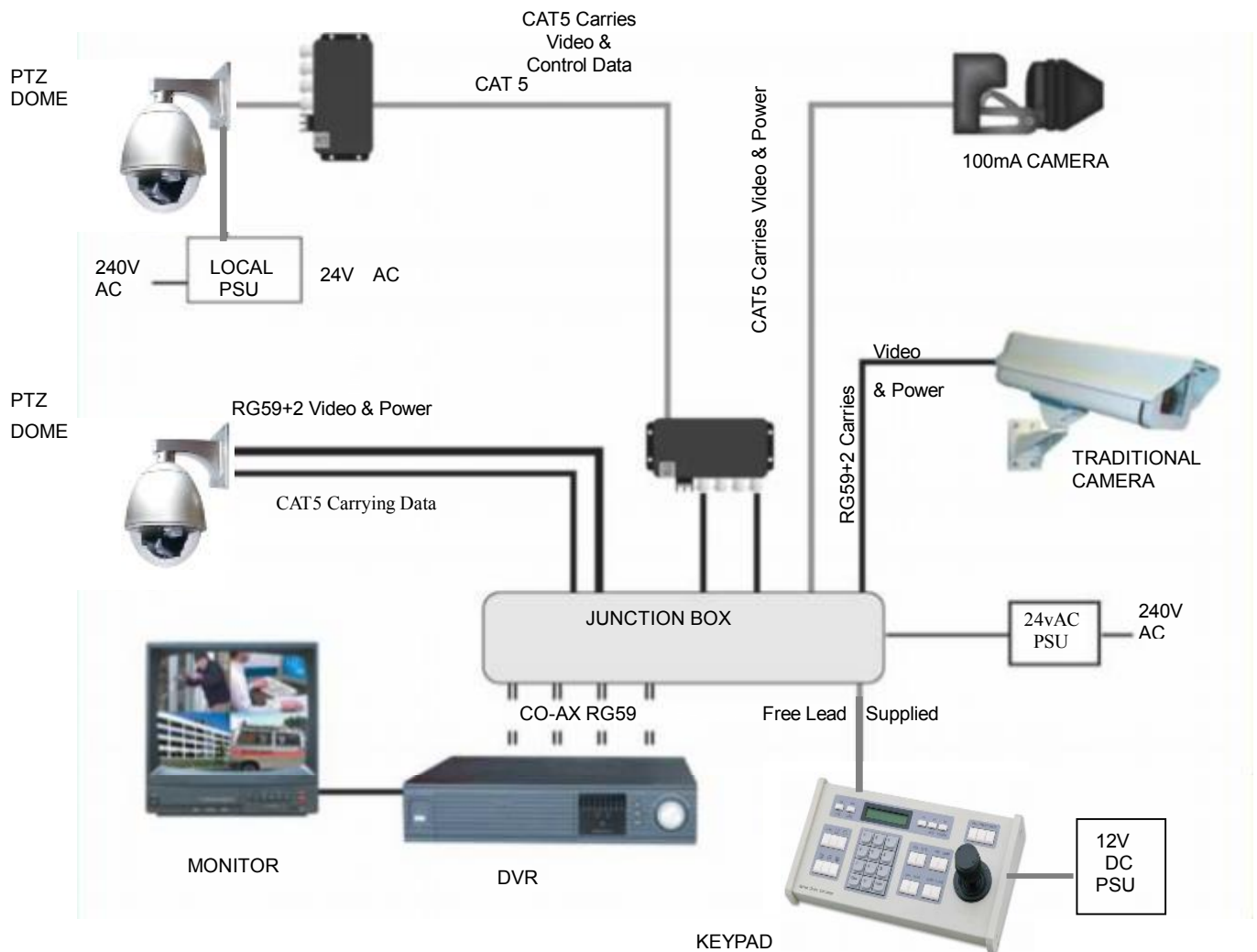


You can get “composite” cables that will carry both the power and the video signals and this has the benefit of combining two of the three cables into one. Combo cable combines all three sets of cables. You may choose to power the dome locally to it, so you may only need to get the video signal back from the dome and the RS485 control signals to it. If this is the case you may choose to use CAT5 and a pair of BALUNS. By using baluns you can send the video signal and control signal down the same CAT5 cable just using different pairs of cores for each signal. Note that baluns are not required for the control signal.

The control signal (RS485) is nearly always sent along a “twisted-pair” type cable. The twists in the cable help prevent interference affecting the data signal by “shielding” it. Many installation companies use a CAT5 type or similar cable to run out to the domes to carry the data signal.

If you are considering using baluns please note - DVR’s tend to require very good video signals to function correctly and “passive baluns” can loose some signal strength over the 50 metre mark so try to restrict the use of passive baluns to below 50 metre cable runs when using them with DVRs. Above this distance perhaps consider an active balun. Active baluns require power, passive baluns do not.

You can mix and match how you wire up your PTZ installation and the following general diagram gives you a guideline about how to do it. Remember this is a GUIDE and is not an instruction what to fit!



Many installation companies can get the power and video signal correct, but struggle with the control of the dome using the keypad or DVR using the RS485 data.

The key to successfully installing the data cabling to the dome is to get the basics right. Use a quality data cable such as CAT5 (never use just a standard untwisted cable such as alarm cable for the RS485 signal).

Also, you must follow the RS485 wiring convention, the following section explains this.

## RS485 Wiring methods & Tips >>>>>

### 1. Characteristics of RS485

As specified by RS485 standards, RS485 is a half-duplex data transmission type with characteristic impedance of  $120\Omega$ . The maximum load capacity is 32 units (domes, keyboards and DVRs).

### 2. Transmission distances of RS485 Signals using CAT5 or similar cables

Selecting a CAT5 or similar sized twisted pair data transmission cable, the maximum theoretical transmitting distances are as follows:

Baud Rate	<b>Maximum</b> Transmitting Distance
2400 Bps (PELCO-D)	1500m
4800 bps	1000m
9600 bps	600m

**PLEASE NOTE** - Using inferior cables, or installing the dome in an environment with strong electromagnetic interference, or connecting a lot of PTZ domes to the same cable carrying the RS485 signal will reduce the maximum transmitting distance.

### 3. RS485 Connection methods

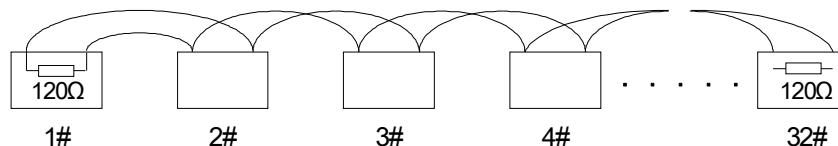
#### **METHOD 1 – DAISY CHAIN CONNECTION.**

The general RS485 standard recommends a “daisy chain” connection of equipment that is to be controlled. This means that the control cable is looped out of the one dome to the next dome and so on. The last dome in the line is then fitted with what is known as a “termination resistor”. This has a value of 120Ω .

The resistor is built in the PTZ domes and is activated by setting DIP-10 on the SW1 bank of 10 dip switches to ON. The keyboard itself generally has a built-in 120Ω resistor. These termination resistors help make the signal more stable and give the system better reliability so that the domes function as expected. A common mistake installer’s make is not making sure the 120Ω resistor is switched ON in the LAST dome. Also installers often select the resistor to ON in another dome in the chain, these errors will make control of the dome unpredictable.

A simplified Daisy chain is shown below;

This first diagram shows the cables looping in one dome and out of another.

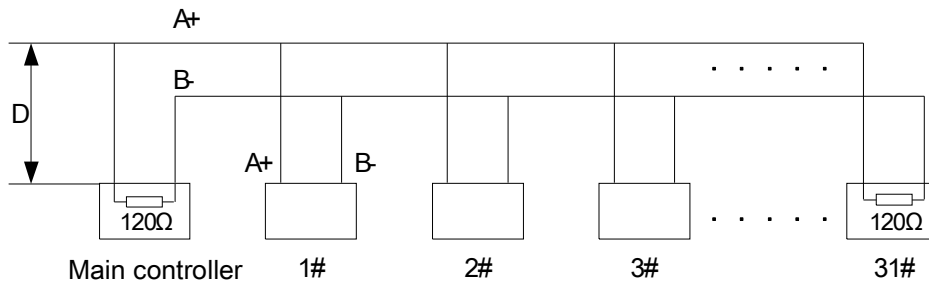


**Standard Daisy-Chain connection for the RS485 PTZ control signal**

(just the last dome only has the 120Ω resistor set to on, the first device is the keyboard and has the 120Ω built in as default)

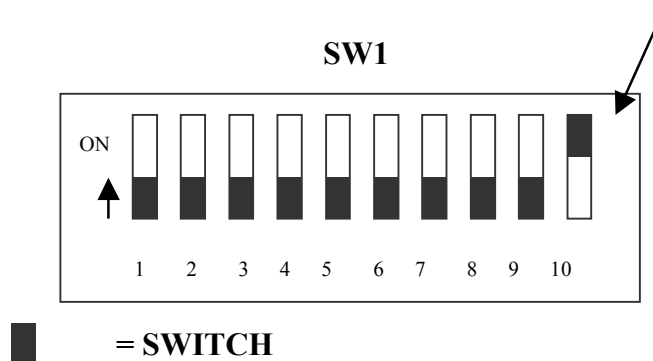


This next diagram is a slight variation on the Daisy Chain arrangement. Again it's one cable going out to all the domes but instead of the cable going into each dome then back out to the next one, a junction box is used to "Spur-Off" to each dome. Whilst this can be done THE SPUR LENGTH (D) must be NO MORE THAN 7 metres!!!!!! The overall cable length between the Controller and the last dome is limited to around 300 metres in such an arrangement.



**Daisy-Chain connection WITH SHORT SPURS for the RS485 PTZ control signal**  
 (one main radial with very short spurs to each dome off it, keeping the spurs to less than 7 metres)

**TIP - The connection of a 120Ω termination resistor:** The termination resistor is ready fitted on the domes pcb, all you have to do, to set it, is move switch 10 to ON on the SW1 dip switch.



**STAR method of connection.**

In some circumstances you may need to adopt a star configuration for practical purposes. For instance, all the domes may be so scattered on a large site that running out separate spurs to each dome in a "STAR" array is the only practical solution.

*So how do you do this in practice?*

The termination resistors must be connected to the two domes that are farthest away from each other, such as domes 3 and 5 in the following "Star diagram". Note that all the other domes do not have the 120ohm resistor connected. The resistors are already fitted to the domes PCB but by default are not in circuit. To put them in circuit you must move the DP10 dip switch on SW1 to "ON" as previously indicated.

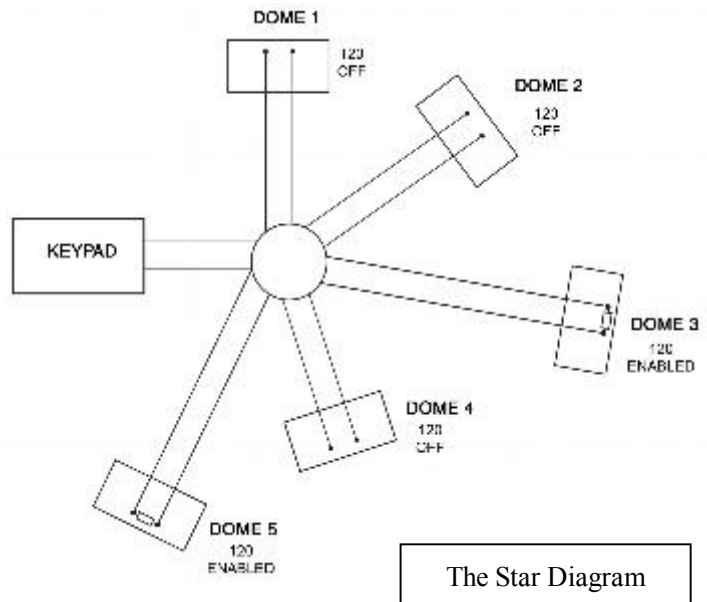
---

As the star configuration is not in conformity with the requirements of RS485 standards, problems such as signal reflections may arise, especially when there are long cable connections. The results are that control signals are decreased and the dome may not respond to, or just responds intermittently to the controller.

If your STAR circuit is not too extensive with each spur in the region of 20-50 metres you can expect quite good reliable performance using this technique. If you experience any problems though, there is a RS485 distribution box available CODE PT750 to help overcome any problems.

**The Star circuit for wiring PTZ's.**

The two furthest domes need the 120ohm resistors enabling, by moving the dip switch. In this example it's domes 3 & 5.



### Overcoming RS485 data loss using an RS485 distributor

In the real world not everything always works exactly as it's expected to!

RS485 data signals that control the dome's movements are tiny signals that can get corrupted for many reasons. Poor cable quality, not using a PAIR of cores from a CAT5 but using one core from TWO separate pairs, running the CAT5 cable near mains equipment such as florescent lighting all will have a detrimental effect on the signal. These are things that you can correct with good installation practices.

Where you wish to run several separate CAT5 cables out to send the RS485 data signal out to the domes you are in effect correcting the STAR method of RS485 data distribution. As previously mentioned the problem with the Star method is that it is not actually designed for RS485 but generally works okay if you follow the previous notes on getting the 120ohm resistor setting right, as per the previous notes.

One way that takes the guesswork out of installing the Star method is to utilise an RS485 distributor. This has the advantage that the RS485 signal is correctly distributed to the domes so that they behave as expected. You can create up to 4 spurs to the domes and put up to 4 domes on each spur. Just like the Daisy chain method the end dome on each spur needs to have the 120ohm resistor enabled.

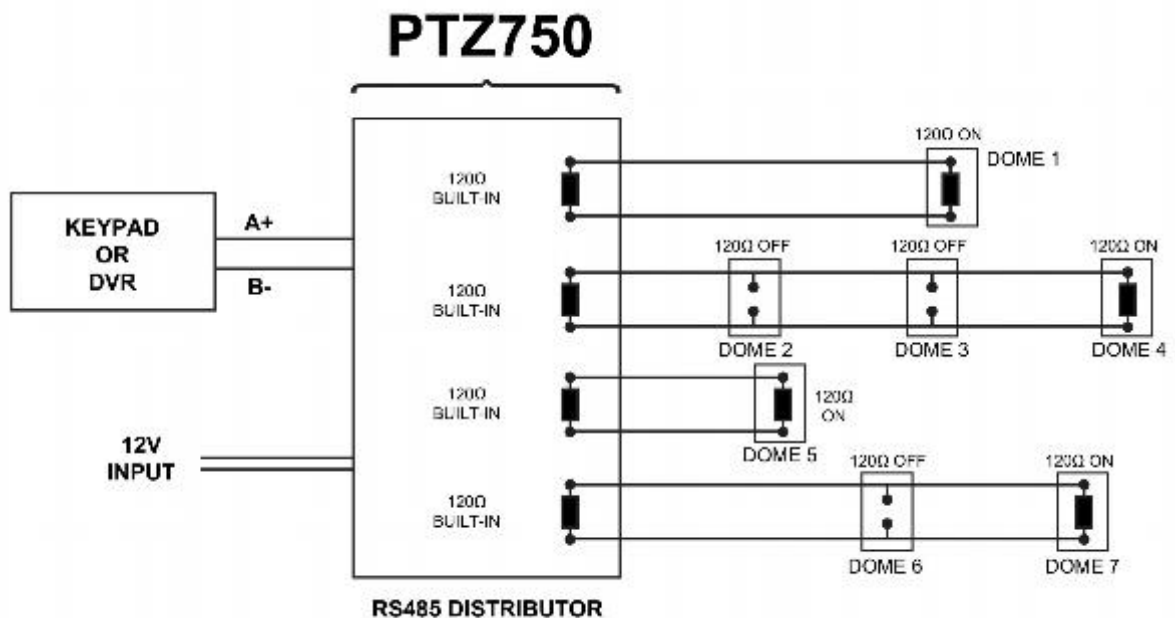
Although the RS485 distributor is a small additional expense, it takes some of the guess work out of the

installation design and gives a more flexible approach to cabling which itself can save time and money on the installation. Not forgetting you get more predictable results!

The RS485 distributor (PTZ750) amplifies the RS485 control signal and distributes it evenly to 4 separate spurs, each spur can have up to 4 domes. This means that you could theoretically have up to 4 individual spurs of over 1000mtrs each to control up to 16 PTZ domes in total.

Ideally you would put just one dome on each spur from the PTZ750 but up to 4 domes is generally acceptable. The following diagram shows a typical use of the PTZ750 RS485 distributor.

In the following example and diagram, domes 1,4,5 and 7 are at the end of each spur and therefore require the 120ohm resistor enabling by moving the DP10 dip switch setting to 'ON' on the SW1 dip switch in the domes. Domes 2,3 and 6 are all "midway" in each spur and do not need the 120ohm resistor and can be left as default. The PTZ750 itself has four 120ohm resistors built in as shown and you do not have to do anything with the PTZ750 as the resistors are permanently connected within it.



*(Diagram showing how to use an RS485 distributor to improve PTZ control reliability)*

Please note if you have the PTZ750 located within 5metres of the keypad or DVR you can connect up to 3 of them in parallel.

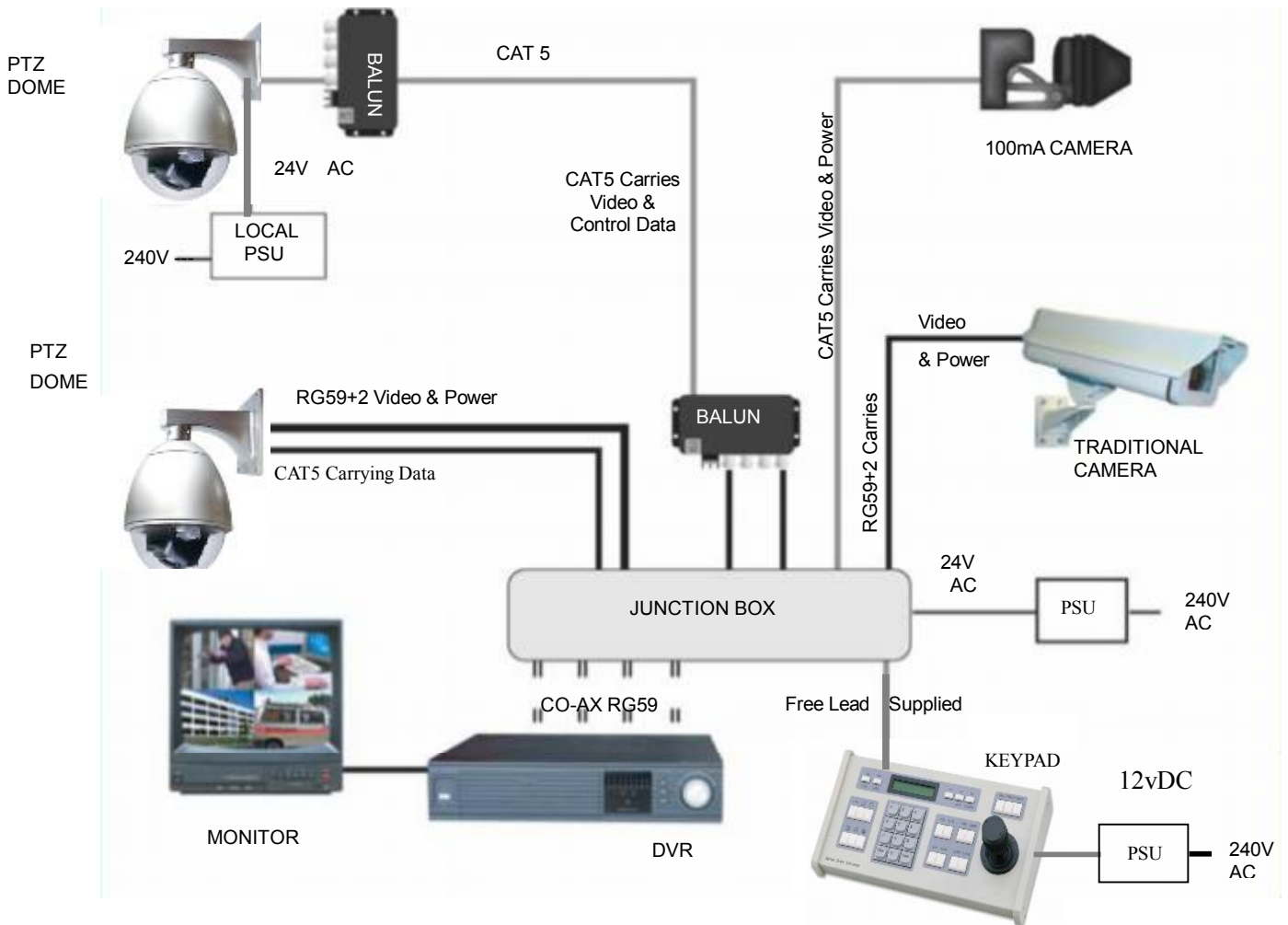
# Setting up the Dome Camera

## Connection of the System

There are many ways to wire up a PTZ system.

If you have read the introduction at the beginning of these instructions you should have got a good idea what your options are.

Below is a general schematic diagram showing you some of these options.



---

## ***Powering the domes-***

All the domes will need power. For this dome it is a 24V A.C power supply. The power supply must be capable of delivering at least 1.25A per dome.

You can either power each dome with its own PSU locally to it or have the PSU's remotely situated perhaps near the keyboard or DVR.

Please note - Please make sure that you have a sufficient power supply and cable installed. A popular way to power the domes is using our COMPOSITE VIDEO cable (or shotgun as its also known) as this cable can carry the power to the dome and the video signal back to the monitor or DVR.



### ***The power connection***

The RED & BLACK cable coming out of the dome connected to the RED terminal block are for power. Connect a suitable 24V A.C power supply to this pair of cores.

The BNC connector is the “VIDEO-OUT” from the camera and goes to the monitor or “VIDEO-IN” of a DVR camera input.

The Orange and Yellow pair of cores that go in to the BLACK terminal block are the data cables. These are the cores that carry the RS485 control signal to the dome from either the keyboard or the DVR. The next section of the instructions gives more detail on how to connect the RS485 data. Please also read the RS485 WIRING METHODS & TIPS section towards the beginning of these instructions.

The following table gives you an indication of the maximum lengths that you can achieve using this cable the composite cable and these domes.

Power cable requirement – Assuming a starting voltage of 24V A.C is applied at the PSU end.

Composite cable
Maximum run 80mtr

The distances are relatively short due to the high load of the dome when it starts up. If the voltage of the dome drops below around 20V A.C it will fail to initialise. Obviously you can power the domes locally if you wish.

### **RS485 connection - *Connecting the Keypad or DVR to the Dome.***



The dome is controlled by an RS485 data signal that is given by either a KEYPAD or a suitable DVR. This data signal tells the dome to pan, tilt, zoom etc. Its important that you read the early section of these instructions to understand the fundamental principle of RS485 cabling techniques so that you get it right.

RS485 has two cores, A and B or sometimes known as RS485 + (A) and RS485 – (B) if you get these two the wrong way around then you will not be able to control the dome. Sometimes installers get the connections right on one dome but not on the other and find only one dome works. They then swap the wires around at the keyboard only to find out one dome has now burst in to life and the other

one now failed!! But they don't put 2 + 2 together and realise their mistake that they have wired one dome different to the other. Take great care getting these the right way around and make sure you wire each dome IDENTICALLY so that if you have to swap the A & B lines over at the keyboard you know all domes are wired the same!!

The PTZ140 series adopts the following RS485 convention:

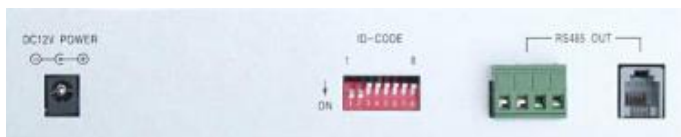
ORANGE = RS485 + or A  
YELLOW = RS485 - or B



You should initially be wiring the dome to the keyboard or DVR on your workshop bench or at least your kitchen table to prove you know how to get everything to work. Once you have done this, it is just a job of extending the cables and physically installing the domes on site. You must obviously take note of the RS485 wiring techniques mentioned at the beginning of these instructions and get the 120ohm resistors correct in the "End of line" domes. Generally speaking you will always be extending the RS485 signal from either the keypad or the dome using a CAT5 or similar cable. **Note that data cables do not need to be connected through baluns.**

The PTZ730 and PTZ700 are two keypads that can be used with the PTZ140 series. On the rear of the keypads you will see the RS485 connections. Ensure they are connected correctly i.e the RS485 + A line and the RS485 - B line. Note that both these keypads need to be set to the same protocol as the PTZ dome. Refer to the relevant keypad instruction manuals on the keypad dipswitch settings.

PTZ730 keypad



Rear of PTZ730



RS485 connections

PTZ700 keypad



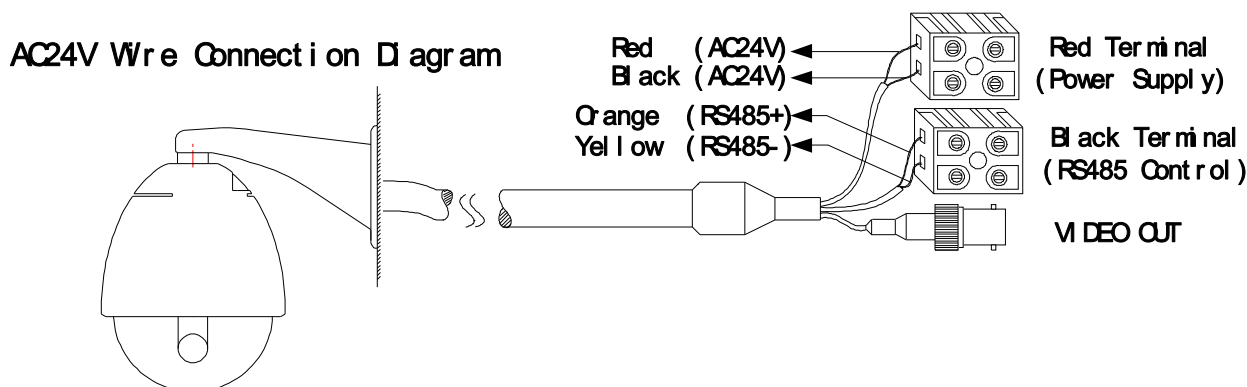
RS485 connections

Rear of PTZ700



## Connecting the video out of the dome.

The dome has a short BNC lead attached to it, this is the lead that carries the video signal from the built-in camera. You need to extend this lead to the “VIDEO-IN” of the DVR or monitor. Use a good quality RG59 coax cable or similar to do this.

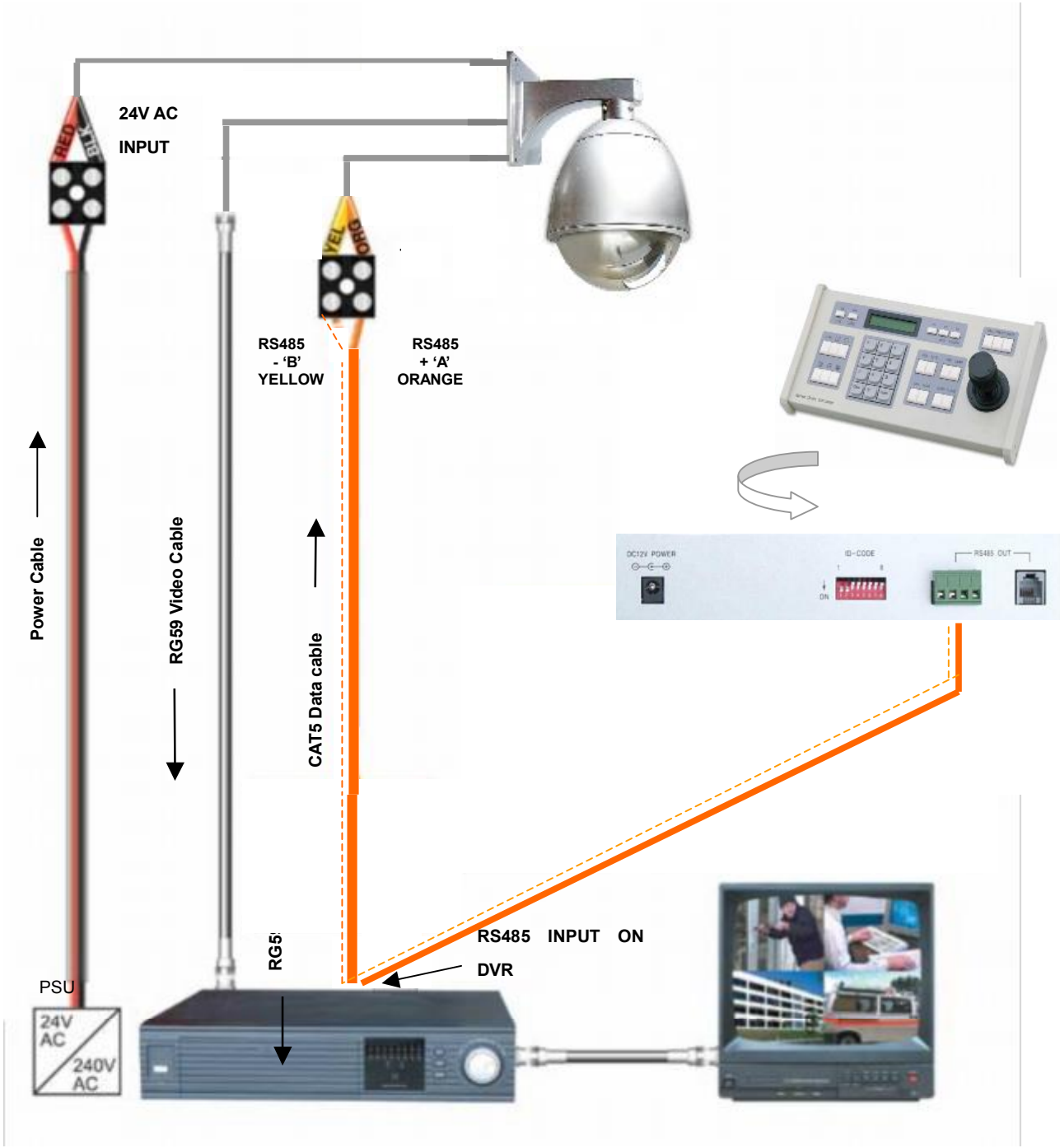


TIP – If you can't get a picture at the remote end you could always take your test monitor to your PTZ dome and check the picture quality on its own short BNC lead.

If you're testing the equipment on a workbench you now have a one dome system. You can use a keyboard or a suitable DVR to control the dome. A suitable DVR would be one with PTZ functionality built into it and Pelco-D protocol. You must also make sure you set up the “baud-rate” to 2400.

A typical site installation would look like the following diagram on the next page.

It shows the dome connected to the keypad plus how the dome could also be connected to a DVR instead of the keypad or at the same time. DVR's that have the capabilities of PTZ control will have a terminal or connection on them somewhere, where the dome's RS485- A and RS485- B line can connect to. Please refer to the individual DVR instructions of how to do this.



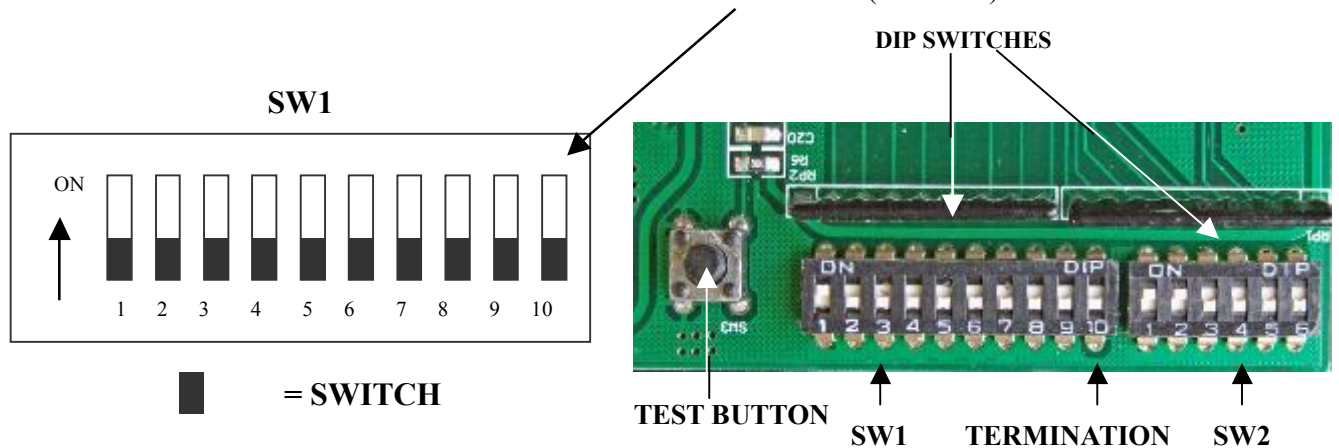


## Setting the PTZ dip switches

In order that the PTZ dome can communicate with a control keyboard or DVR, it needs to be set with communication parameters. These are the communication Protocol and the Baud Rate plus a unique numeric address. These parameters are set using dip switches and this dome has two switches, SW1 and SW2.

### SW1 Dip Switch

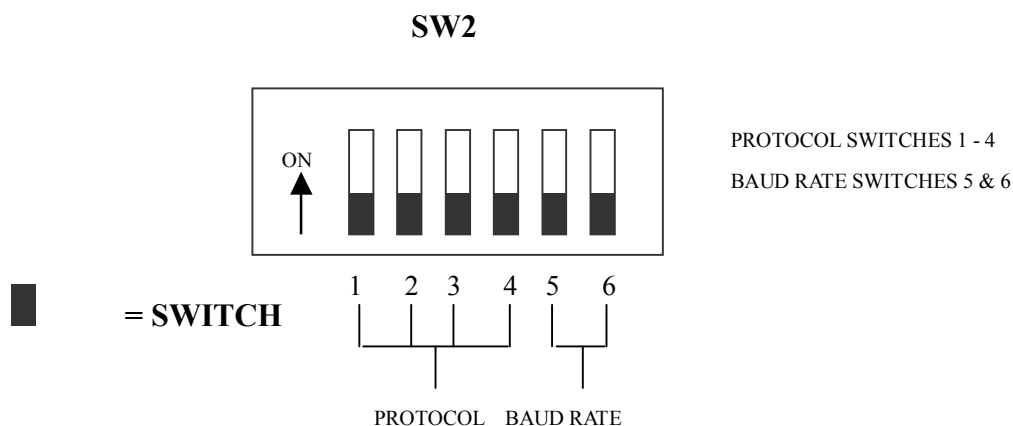
The SW1 dip switch has a bank of 10 switches and switches 1 – 9 are used for setting the unique dome address. Note that SW1 is also used to set the 120 ohm termination resistor (switch 10).



The unique “address” is needed so that if you are using more than one on a site, the keyboard “talks” to the right dome when you want it to PTZ. If you only have the one dome on the site then the default “address” of “1” is okay and you have no reason to change the dome from this. With multiple dome sites you need to set up each dome address separately. This is accomplished by setting the SW1 dip switch to reflect a unique numeric address. Please see the section “**Setting up a unique ADDRESS in a dome.**”

### SW2 Dip Switch

The SW2 dip switch has a bank of 6 switches and is used for setting the protocol and baud rate. Note that for most SystemQ equipment they should always be set to PELCO-D with 2400 baud rate. Please see the section “**Setup of the Protocol and the Default Baud Rate.**”



## Setting up a unique ADDRESS in a dome –

SW1 is the dip switch used to set the address of the dome camera from 1 – 511. This dome uses binary notation to allocate the dome address. Note that switches 1 – 9 are used for the dome address and switch 10 is used to set the 120 ohm resistor.

For example:

To set the dome address at 1 put switch 1 up.

To set the dome at address 2 put switch 2 up

To set the dome at address 3 put switches 1 & 2 up.

..and so on..

The following table indicates how this is done.



Dome Address	ID-CODE Status									
	DIP-1	DIP-2	DIP-3	DIP-4	DIP-5	DIP-6	DIP-7	DIP-8	DIP-9	DIP-10
1	ON	OFF	OFF	OFF	OFF	OFF	OFF	OFF	OFF	
2	OFF	ON	OFF	OFF	OFF	OFF	OFF	OFF	OFF	
3	ON	ON	OFF	OFF	OFF	OFF	OFF	OFF	OFF	
4	OFF	OFF	ON	OFF	OFF	OFF	OFF	OFF	OFF	
5	ON	OFF	ON	OFF	OFF	OFF	OFF	OFF	OFF	
6	OFF	ON	ON	OFF	OFF	OFF	OFF	OFF	OFF	
7	ON	ON	ON	OFF	OFF	OFF	OFF	OFF	OFF	
8	OFF	OFF	OFF	ON	OFF	OFF	OFF	OFF	OFF	
9	ON	OFF	OFF	ON	OFF	OFF	OFF	OFF	OFF	
10	OFF	ON	OFF	ON	OFF	OFF	OFF	OFF	OFF	
11	ON	ON	OFF	ON	OFF	OFF	OFF	OFF	OFF	
12	OFF	OFF	ON	ON	OFF	OFF	OFF	OFF	OFF	
13	ON	OFF	ON	ON	OFF	OFF	OFF	OFF	OFF	
14	OFF	ON	ON	ON	OFF	OFF	OFF	OFF	OFF	
15	ON	ON	ON	ON	OFF	OFF	OFF	OFF	OFF	
16	OFF	OFF	OFF	OFF	ON	OFF	OFF	OFF	OFF	
17	ON	OFF	OFF	OFF	ON	OFF	OFF	OFF	OFF	
18	OFF	ON	OFF	OFF	ON	OFF	OFF	OFF	OFF	
...	...	...	...	...	...	...	...	...	...	...
511	ON	ON	ON	ON	ON	ON	ON	ON	ON	

**Table 1 Dip Switch Settings for SW1**

## Setup of the Protocol and the Default Baud Rate

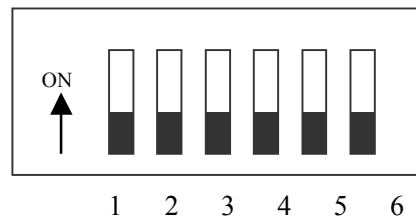
As shown in Table 2, SW2 is used to set the protocol of communication and the baud rate used by the dome camera. DIP-1 to DIP-4 of SW2 is used to select protocols and a maximum of 16 different protocols can be selected.

Pelco-D 2400 is used for most System Q equipment.

PELCO D 2400Eps



### SW2



PROTOCOL SWITCHES 1 - 4

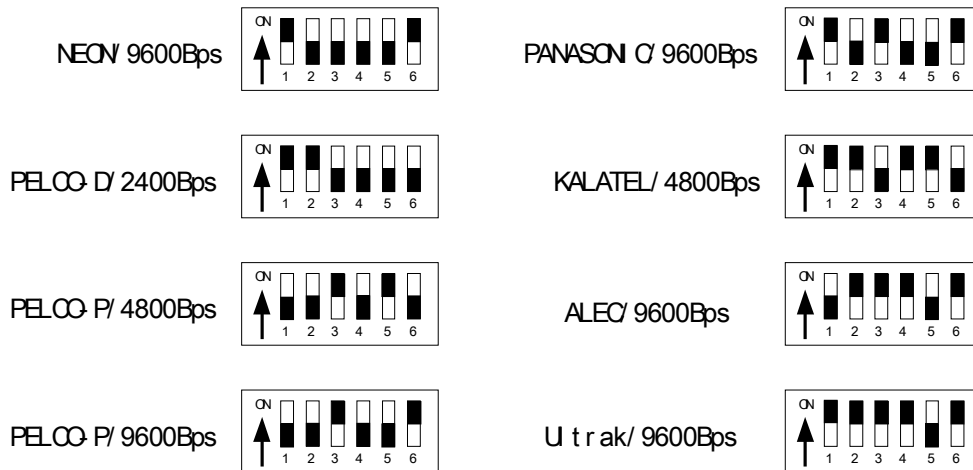
BAUD RATE SWITCHES 5 & 6

PROTOCOL      BAUD RATE

Protocols	DIP status				Normal Baud Rate	
	DIP-1	DIP-2	DIP-3	DIP-4	DIP-5	DIP-6
SAMSUNG	ON	OFF	OFF	OFF	OFF	ON
B01	ON	OFF	OFF	OFF	OFF	ON
NEON	ON	OFF	OFF	OFF	OFF	ON
Santachi	OFF	ON	OFF	OFF	OFF	ON
PELCO-D	ON	ON	OFF	OFF	OFF	OFF
PELCO-P/4800	OFF	OFF	ON	OFF	ON	OFF
PELCO-P/9600					OFF	ON
PANASONIC	ON	OFF	ON	OFF	OFF	ON
Longcomity	OFF	ON	ON	OFF	OFF	ON
HUNDA600	ON	ON	ON	OFF	OFF	ON
LILIN	OFF	OFF	OFF	ON	OFF	ON
VICON	ON	OFF	OFF	ON	ON	OFF
MOLYNX	OFF	ON	OFF	ON	OFF	ON
KALATEL	ON	ON	OFF	ON	ON	OFF
VCL	OFF	OFF	ON	ON	OFF	ON
Reserved	ON	OFF	ON	ON	OFF	ON
ALEC	OFF	ON	ON	ON	OFF	ON
Ultrak	ON	ON	ON	ON	OFF	ON

**Table 2**

Some protocols and the states of the coding switches of normal baud rates of these protocols are shown as follows:



### ***Setup of the Baud Rate of Communication***

As shown in Table 2, SW2 is used to set the protocol of communication and the baud rate used by the dome camera. DIP-5 and DIP-6 of SW2 are used to select the baud rate of communication and a maximum of 4 different baud rates can be selected. If the controller adopts a non-standard baud rate, you can adjust it to be identical with that of the controller, as per the following table.

Baud Rate of Communication	DIP-1	DIP-2	DIP-3	DIP-4	Setup of Baud Rate	
					DIP-5	DIP-6
2400bps					OFF	OFF
4800bps					ON	OFF
9600bps					OFF	ON
19200bps					ON	ON

## Using the PTZ730 keypad



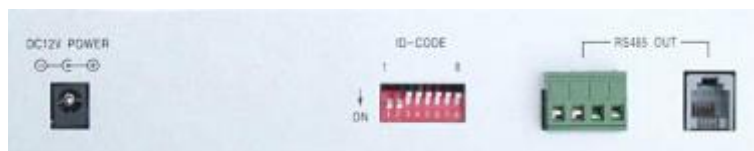
PTZ730 keypad

**NOTE 1:** For more detailed instructions in setting up the keypad or using one of our other keypads, please refer to the instruction manual supplied with the product.

**NOTE 2:** The PTZ730 keypad requires you to press the function key first followed by the value e.g <CAM> 01 <Enter> whereas some keypads e.g PTZ700 require the value first, then the function e.g 01 <CAM>

When you first take the keyboard out of the box you will need to set it up for the domes that you are using.

***The dome you have purchased has the default settings of; PELCO-D 2400-BAUD rate Address 1***



Rear of PTZ730 keypad

First read through the keypad instruction manual supplied. Set the protocol and baud rate in the keypad using the dipswitches on the rear of the unit. Note that all PTZ domes controlled by this keypad must have identical protocol and baud rate settings. The manual supplied with the keypad will show you what these settings should be.

Next connect the RS485 connections from the dome/s ensuring that the A and B lines are connected correctly.

Finally connect the power supply. Both the PTZ730 and PTZ700 keypads require a 12V DC PSU (500mA minimum). It is recommended to use a POW800 for this purpose. Now press the keypad ON button.

Select a PTZ camera by pressing CAM button followed by camera address and Enter\*. The LCD display will indicate the camera channel selected. CAM 01 indicates that the keyboard is ready to talk to camera with address 1, if you have another dome set at camera address 2, press CAM button followed by 02 and Enter. This would change the display screen to CAM 02.

If you have multiple domes you will need to change the address of each dome so they are different but PLEASE LEAVE THE DOMES ON PELCO-D 2400 BAUD RATE.

- see NOTE 2 above.

---

## ***AUTO SCAN- How to run it***

**Auto-scan** scans between two points.

**STEP 1** - Select the required camera by entering <camera address> and pressing the **CAM** button on the keypad.

**STEP 2** - Remove the screws in the two limit switches in the dome mechanism.

**STEP 3** - Using the joystick pan left or pan right, position the camera where you wish to start scanning from.

**STEP 4** - Secure the first limit switch.

**STEP 5** - Using the joystick pan left or pan right, position the camera where you wish to complete the scan.

**STEP 6** - Secure the second limit switch.

**STEP 7** -To start the Auto Scan you will need to call via the keypad one of three call settings. These are :- 51 CALL, 52 CALL or 53 CALL to start the linear scan.  
Note that this dome does not use presets.

To halt the Auto Scan just touch the joystick.

## ***Test Button- How to use it.***

The dome has a test button located alongside the two dip switches. If this is pressed the dome will start a self check routine, moving the camera in a horizontal and vertical direction. This is run continuously until the test button is pressed again or keypad joystick is moved.

## ***Controlling one camera then another.***

If you look at the image on the LCD display you can see the CAM=001 indicates that the keyboard is ready to talk to camera with address 1. In the dome the address 1 is set as default in the factory. You need to alter the DIP-switches within the domes to address 2, 3 etc if you have multiple domes on the same site so refer to the previous instructions how to set the DIP Switches. If you have another dome set at camera address 2, select CAM 2. And so on.

This dome camera has very basic functionality. Apart from the Auto Scan and manual self-check test, it is operated manually via the keypad joystick or a compatible DVR. It has no programmable presets, functions or menu options.

---

## Installation Instructions

### 1. Requirement of Installation

1.1) **Cables & Power Supply:** Ensure suitable cables, transmission distance and power supplies are used for this installation. More information is available in the front of this manual.

1.2) **Installation Fixing:** For safety reasons ensure that adequate measures for fixing this dome are taken regarding the weight of the unit and the surface strength to which the unit is connected.

### 2. Description of Unit

#### 2.1 Dimensions

Distance from top of dome to bottom of dome cover is 335mm.

Overall width is 230mm.

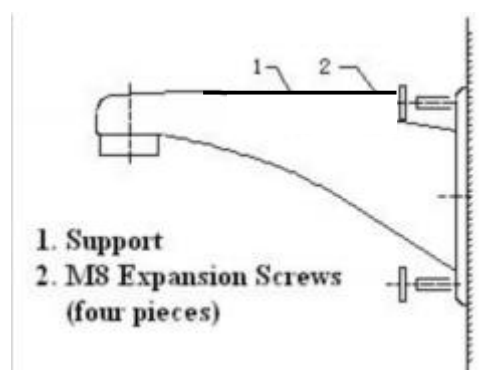
### SPECIAL NOTE

**Only fix this dome to a surface strong enough to take the weight of this unit taking into consideration the possible effects from storms, snow and strong winds if using the equipment externally. Ensure that the dip switch settings are made before the physical installation is commenced.**

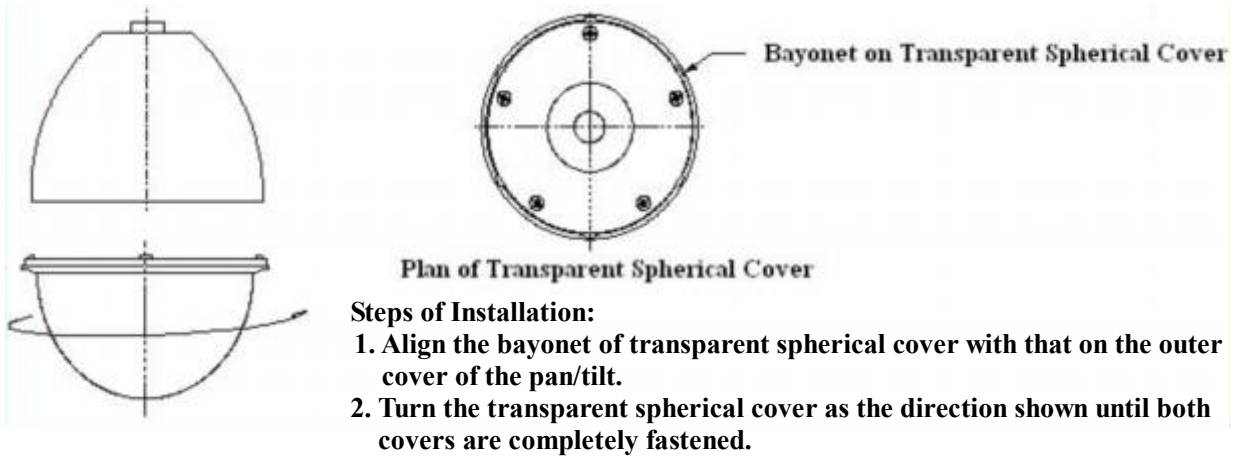
### 3. Installation Steps

#### 3.1 Installation of Wall Mount fitting

- Select the position for installation on a secure wall, marking the four screw hole positions using the bracket support as a template.
- Drill four M8 size installation holes in the wall and secure with screws.
- Fasten the support by four nuts and washers onto the wall.



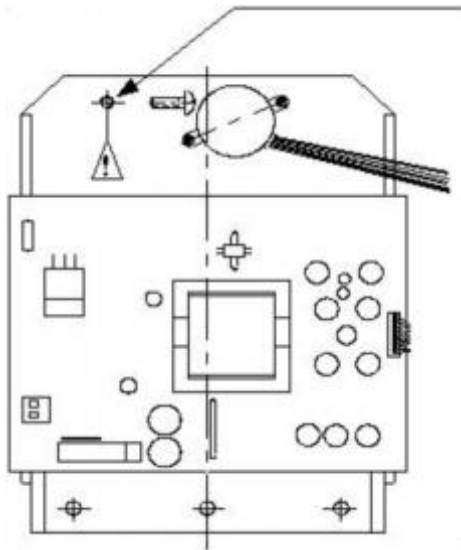
### 3.2 Installation of the Transparent Spherical Cover



## IMPORTANT!

### 3.3 Removal of Camera Transit Lock Screw

**In order to protect the camera during the course of transportation, this screw may be used to secure the camera when leaving the factory. You must remove it before use. Failure to do this will damage the camera and dome.**



*All specifications are approximate. Kover.com reserves the right to change any product specification or features without notice. Whilst every effort is made to ensure that these instructions are complete and accurate, kover.com cannot be held responsible in any way for any losses, no matter how they arise, from errors or omissions in these instructions, or the performance or non-performance of the camera or other equipment that these instructions refer to.*



This symbol on the products and/or accompanying documents means that used electronic equipment must not be mixed with general household waste. For treatment, recovery and recycling please return this unit to your trade supplier or local designated collection point as defined by your local council.



## Technical Data

<b>Input Voltage</b>	AC24V±10% 50/60 HZ
<b>Input Power</b>	Outdoor : 30W – 1.25A
<b>Baud Rate</b>	2400 bps, 4800 bps, 9600 bps, 19200 bps selectable
<b>Range of Address</b>	0~511
<b>Communication Style</b>	RS-485
<b>Communication Protocol</b>	16 protocol options
<b>Rotation Range</b>	Horizontal 0~355° Vertical 0~90°
<b>Rotation Limitation</b>	Adjustable in horizontal direction
<b>Rotation Speed</b>	Horizontal 9°/sec±2% Vertical 9°/sec±2%
<b>Working Temperature</b>	Indoor 0°c ~ 45°c Outdoor -15°c ~ 55°c
<b>Installation Sizes of Camera</b>	112mm (L) × 60mm (W) × 70mm (H)

### Camera connection data

- 1) This dome uses voltage to control the camera zoom, focus and iris. Positive outputs control the **zoom out, focus out and iris opening** and negative voltage controls the **zoom in, focus in and iris closing**.
- 2) Output of Control Voltage of the Lens: **±DC12V**.

#### DIP SWITCHES

