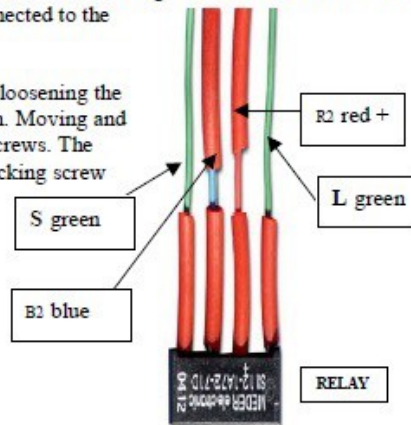
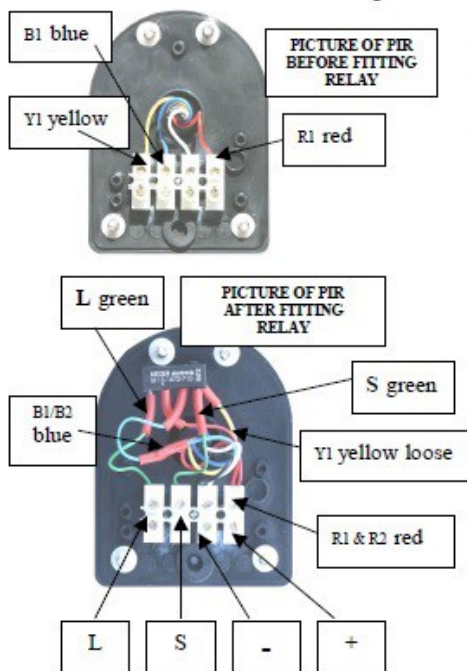


**12VOLT RELAY ( voltage free output)**

The REL001 is a standard 12 volt dc relay providing a voltage free switching facility. The relay is supplied separately and can be connected to the CCT865 range of 12 volt dc PIRs. The following instructions show how the relay can be connected to the CCT865 PIR.

The PIR terminal cover can be removed by loosening the four cross head screws under the top section. Moving and twisting the head can give access to these screws. The head may first need to be unlocked if the locking screw located above the head has been tightened.

**Relay Connection Instructions**

1. Remove Y1 yellow, B1 blue and R1 red wires from the PIR connector block.
2. Twist together R1 red from PIR and R2 red wire from relay and refit in connector block.
3. Twist together B1 blue from PIR and B2 blue wire from relay, solder, sleeve and leave loose (or use a terminal block)
4. Sleeve Y1 yellow wire and leave loose - no connection (or use a terminal block).
5. Connect L green to previous Y1 connection.
6. Connect S green to previous B1 connection.
7. L and S are now volt free relay contacts which can be taken to any DVR alarm trigger connections.
8. Connect 12 volt dc supply in, to - and +.

**SPECIAL NOTE:** The relay can be supplied with L and S fitted with green or black wires.

*All specifications are approximate. Kovert.com reserves the right to change any product specification or features without notice. Whilst every effort is made to ensure that these instructions are complete and accurate, kovert.com cannot be held responsible in any way for any losses, no matter how they arise, from errors or omissions in these instructions, or the performance or non-performance of the camera or other equipment that these instructions refer to.*



WEE/CG078355

This symbol on the products and/or accompanying documents means that used electronic equipment must not be mixed with general household waste. For treatment, recovery and recycling please return this unit to your trade supplier or local designated collection point as defined by your local council.