



Perfect for retail & commercial applications with a striking modern design

Designed with retail and office spaces in mind, this attractive eyeball camera has all the performance and features to suit both at a great price.

High powered IR LEDs are disguised by striking dark feature panels when not in use during the day but illuminate up to 30-40 metres at night time. A built in IR cut off filter allows great colour reproduction by day and maximum surveillance in low light giving the operator detailed and critical evidence by which to ID a visitor or suspect.

Versatile electronics give a choice of multiple video outputs including standard analogue or 3 HD technologies including TVI, AHD or CVI so it's a great addition to an existing CCTV system thanks to its wide compatibility.

Features

Features

- 4 Switchable Outputs for Compatibility
- 4 High Powered IR LEDs
- HD 1080p for Quality Recordings
- AHD, CVI, TVI & Analogue
- Extra Deep Base For Easy Cabling
- Separate Lens to Avoid IR Reflection
- Discrete Panels Hides IR LEDs

Specification

FUNCTION	SPECIFICATION
Megapixel	2 Megapixel
Resolution	1080p / 700 TVL
Lens Type	2.8 -1 2mm Varifocal
Min. Illumination	0.0 Lux (with IR LEDs on)
Image Output	AHD / CVI / TVI / CBVS
InfrRed LEDs	4 High Power
IR Range	Up to 40m
Input Voltage	12V DC
Current	750mA (IR On)
WDR	Yes
Noise Reduction	2D / 3D
Day / Night	True Day/Night Mechanical IR
Finish	White
Build	Plastic
Dimensions	135mm x 125mm

Options Available

PART CODE	DESCRIPTION
SEE610W	TVI / CVI / AHD Eyeball Camera

Other Products To Consider



TVI / CVI / AHD / CBVS NiteDevil Camera
SEE870B



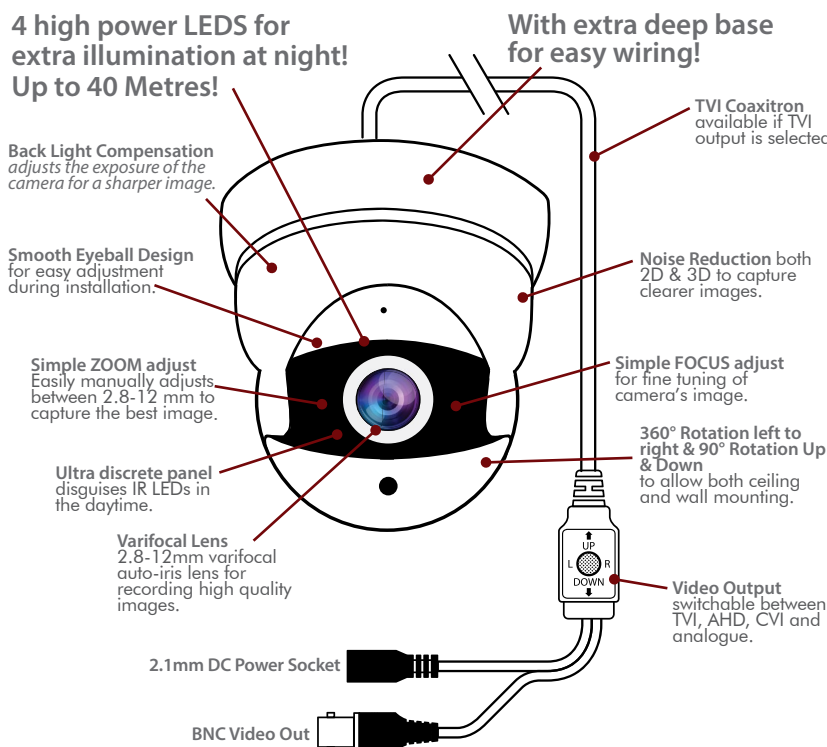
TVI / CVI / AHD / CBVS Mini Eyeball Camera
SEE600W

All specifications are approximate. System Q Ltd reserves the right to change any product specifications or features without notice. Whilst every effort is made to ensure that these instructions are complete and accurate, System Q Ltd cannot be held responsible in any way for any losses, no matter how they arise, from errors or omissions in these instructions, or the performance or non-performance of the equipment that these instructions refer to.



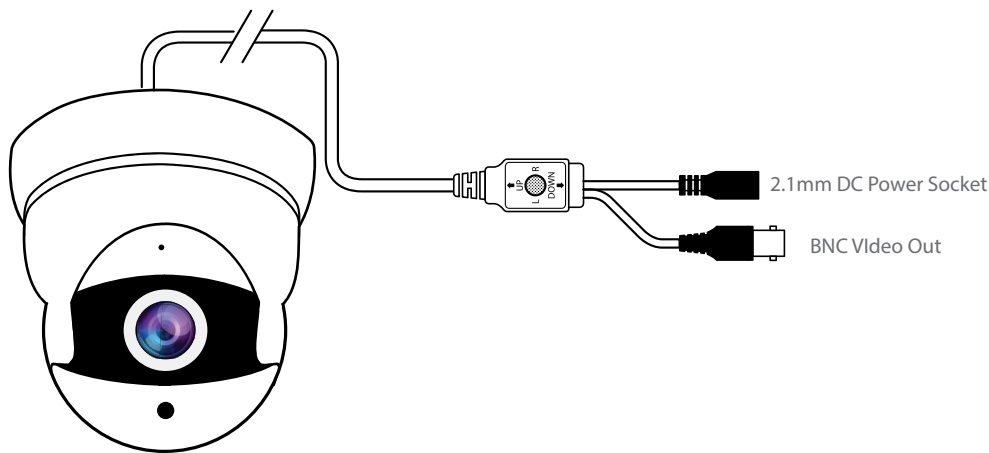
This symbol on the products and/or accompanying documents means that used electronic equipment must not be mixed with general household waste. For treatment, recovery and recycling please return this unit to your trade supplier or local designated collection point as defined by your local council.

WEE/CG0783SS



Connecting The Camera

The SEE610 has an in-line joystick for OSD menu operation and video output selection. A 2.1mm DC socket for connecting the power and a BNC plug for connecting the video.



Features

- 4 Switchable Outputs for Compatibility
- 4 High Powered IR LEDs
- HD 1080p for Quality Recordings
- AHD, CVI, TVI & Analogue
- Extra Deep Base For Easy Cabling
- Separate Lens to Avoid IR Reflection
- Discrete Panels Hides IR LEDs

Specification

FUNCTION	SPECIFICATION
Megapixel	2 Megapixel
Resolution	1080p / 700 TVL
Lens Type	2.8 -1 2mm Varifocal
Min. Illumination	0.0 Lux (with IR LEDs on)
Image Output	AHD / CVI / TVI / CBVS
InfrRed LEDs	4 High Power
IR Range	Up to 40m
Input Voltage	12V DC
Current	750mA (IR On)
WDR	Yes
Noise Reduction	2D / 3D
Day / Night	True Day/Night Mechanical IR
Finish	White
Build	Plastic
Dimensions	135mm x 125mm

Powering The Camera

The SEE610 can be powered using a 12V DC PSU. 12V DC is ideal for runs up to 100m providing quality cable is used. 12V DC PSUs are readily available and plug-in PSUs also give you the option of powering the camera locally. One downside is that 12V DC installations are susceptible to voltage drop. Cameras on runs over 100m may not receive a high enough voltage to function correctly. When powered using 12V the camera requires a minimum current of 750mA. Allowing approximately 30% headroom we recommend a regulated 12V DC PSU providing no less than 1A.

Options Available

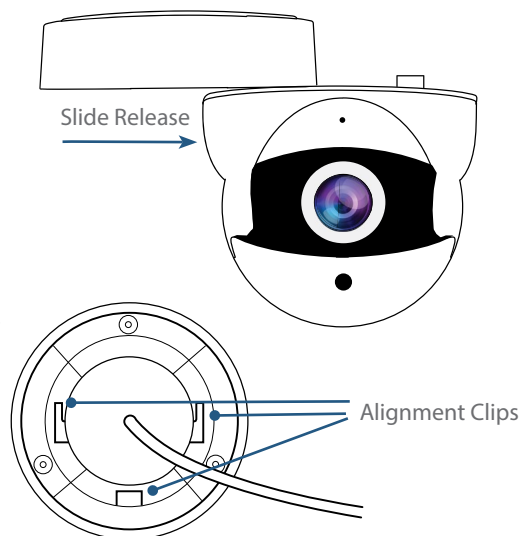
PART CODE	DESCRIPTION
SEE610W	TVI / CVI / AHD Eyeball Camera

Removing The Base

To remove the base simply slide the main body of the camera away from the base.

This will release the camera's alignment clips from the base.

To re-attach the base locate the camera's alignment clips into the slots in the base and slide until the camera clicks into place.



Other Products To Consider



TVI / CVI / AHD /
CBVS NiteDevil
Camera
SEE870B



TVI / CVI / AHD /
CBVS Mini Eyeball
Camera
SEE600W

All specifications are approximate. System Q Ltd reserves the right to change any product specifications or features without notice. Whilst every effort is made to ensure that these instructions are complete and accurate, System Q Ltd cannot be held responsible in any way for any losses, no matter how they arise, from errors or omissions in these instructions, or the performance or non-performance of the equipment that these instructions refer to.

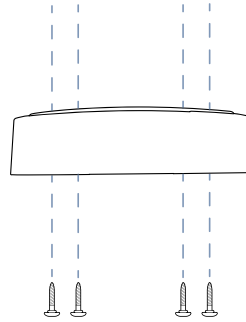


WEE/CG078355

This symbol on the products and/or accompanying documents means that used electronic equipment must not be mixed with general household waste. For treatment, recovery and recycling please return this unit to your trade supplier or local designated collection point as defined by your local council.

Mounting The Camera

The camera is designed to be wall or ceiling mounted. To mount the camera you will first need to remove the main body of the camera and screw through the four holes in the base into the mounting surface. When the base is positioned slide the camera back onto the base to reconnect.



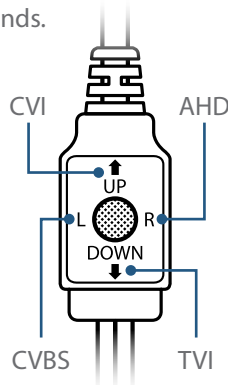
Accessing The Camera's Menu

The SEE610W's menu system can be accessed in two ways.

The first method is using the in-line joystick. The menu is displayed by pressing the joystick in. Navigate through the menus and change parameters using the joystick. To confirm your selection either press the joystick in.

Selecting the Video Output

It's really easy to switch between the four supported technologies using the in-line joystick. Each technology is accessed through one of the four directions. Up = CVI, Down = TVI, Left = CVBS and Right = AHD. To select a technology just hold the joystick in the corresponding direction for 5 seconds.



The second method is via the co-ax cable from a alien HD-TVI DVR. This feature is only supported by newer DVRs such the AlienDVR TVI range and is only achievable when viewing the camera's TVI output.

To access the OSD menu via a DVR you will first need to view the camera you wish to configure. You then need to display the PTZ controls and press the "Iris +" button to enter the OSD menu. The direction buttons are then used for navigation and changing parameters. To confirm selections use the "Iris +" button. You can also adjust the Zoom and Focus on motorised zoom cameras using the zoom and focus buttons.

Features

- 4 Switchable Outputs for Compatibility
- 4 High Powered IR LEDs
- HD 1080p for Quality Recordings
- AHD, CVI, TVI & Analogue
- Extra Deep Base For Easy Cabling
- Separate Lens to Avoid IR Reflection
- Discrete Panels Hides IR LEDs

Specification

FUNCTION	SPECIFICATION
Megapixel	2 Megapixel
Resolution	1080p / 700 TVL
Lens Type	2.8 -1 2mm Varifocal
Min. Illumination	0.0 Lux (with IR LEDs on)
Image Output	AHD / CVI / TVI / CBVS
InfraRed LEDs	4 High Power
IR Range	Up to 40m
Input Voltage	12V DC
Current	750mA (IR On)
WDR	Yes
Noise Reduction	2D / 3D
Day / Night	True Day/Night Mechanical IR
Finish	White
Build	Plastic
Dimensions	135mm x 125mm

Options Available

PART CODE	DESCRIPTION
SEE610W	TVI / CVI / AHD Eyeball Camera

Other Products To Consider



TVI / CVI / AHD /
CBVS NiteDevil
Camera
SEE870B



TVI / CVI / AHD /
CBVS Mini Eyeball
Camera
SEE600W

All specifications are approximate. System Q Ltd reserves the right to change any product specifications or features without notice. Whilst every effort is made to ensure that these instructions are complete and accurate, System Q Ltd cannot be held responsible in any way for any losses, no matter how they arise, from errors or omissions in these instructions, or the performance or non-performance of the equipment that these instructions refer to.



WEE/CG078355

This symbol on the products and/or accompanying documents means that used electronic equipment must not be mixed with general household waste. For treatment, recovery and recycling please return this unit to your trade supplier or local designated collection point as defined by your local council.

OSD Menu

NOTE Default settings are shown in blue.

MAIN MENU	SUB MENU	OPTIONS
LENS		DC / MANUAL DC: 1. MODE: OUTDOOR / INDOOR 2. IRIS SPEED: 1 ~15 (8)
EXPOSURE	SHUTTER	AUTO / FLK / 1/25 ~ 1/50000 / X2 ~ X30
	AGC	1~15 (15)
	SENS-UP	AUTO / OFF AUTO: 1. SENS-UP: X2 ~ X30 (X8)
	BRIGHTNESS	1 ~ 100 (40)
	D-WDR	AUTO / OFF / ON ON: 1. LEVEL: 0 ~ 8 (5)
	DEFOG	OFF / AUTO AUTO: 1. AREA/SIZE: Directions to adjust position, SET to confirm position, directions to adjust size, SET to confirm size. 2. GRADUATION: 0 ~ 2 (0) 3. DEFAULT
BACKLIGHT		OFF / BLC / HSBLC
		BLC: 1. LEVEL: LOW / MIDDLE / HIGH 3. DEFAULT 2. AREA/SIZE: Directions to adjust position, SET to confirm position, directions to adjust size, SET to confirm size. HSBLC: 1. SELECT: AREA1 ~ AREA4 (AREA1) 3. BLACK MASK: ON / OFF 2. DISPLAY: ON / OFF 4. LEVEL: 0 ~100 (20) ON: Directions to adjust position, SET to confirm position, directions to adjust size, SET to confirm size. NIGHT: AGC LEVEL 0 ~255 (48) 5. MODE: ALL DAY / NIGHT 6. DEFAULT
WHITE BALANCE		ATW / AWC→SET / INDOOR / OUTDOOR / MANUAL / AWB MANUAL: 1. BLUE: 0 ~ 100 (50) 2. RED: 0 ~ 100 (50)
DAY & NIGHT		AUTO / COLOUR / B/W / EXT AUTO: 1. D→N (AGC): 0 ~ 255 (169) 4. N→D (DELAY): 0 ~ 255 (3) 2. D→N (DELAY): 0 ~ 255 (3) 3. 2. N→D (AGC): 0 ~ 255 (115)
		B/W: 1. BURST: OFF / ON 3. IR SMART: OFF / ON
		EXT: 1. DELAY: 0 ~ 60 (3) 2. N→D (DELAY): 0 ~60 (3)
NR	2DNR	LOW / MIDDLE / HIGH / OFF
SPECIAL		SEE NEXT PAGE
ADJUST	SHARPNESS	AUTO / OFF AUTO: 1. LEVEL: 0 ~ 10 (5) 1. 3. END AGC: 0 ~ 255 (255) 2. START AGC: 0 ~ 255 (120)
	MONITOR	LCD / CRT
		LCD: 1. GAMMA: USER / 0.45 ~ 1.00 2. RED GAIN: 0 ~ 100 (64) 2. BLUE GAIN: 0 ~ 100 (64)
		CRT: 2. BLUE GAIN: 0 ~ 100 (40) 2. RED GAIN: 0 ~ 100 (40)
	LSC	ON / OFF
VIDEO OUT	PAL / NTSC	
EXIT		SAVE & END / RESET / NOT SAVE

Features

- 4 Switchable Outputs for Compatibility
- 4 High Powered IR LEDs
- HD 1080p for Quality Recordings
- AHD, CVI, TVI & Analogue
- Extra Deep Base For Easy Cabling
- Separate Lens to Avoid IR Reflection
- Discrete Panels Hides IR LEDs

Specification

FUNCTION	SPECIFICATION
Megapixel	2 Megapixel
Resolution	1080p / 700 TVL
Lens Type	2.8 -1 2mm Varifocal
Min. Illumination	0.0 Lux (with IR LEDs on)
Image Output	AHD / CVI / TVI / CBVS
InfraRed LEDs	4 High Power
IR Range	Up to 40m
Input Voltage	12V DC
Current	750mA (IR On)
WDR	Yes
Noise Reduction	2D / 3D
Day / Night	True Day/Night Mechanical IR
Finish	White
Build	Plastic
Dimensions	135mm x 125mm

Options Available

PART CODE	DESCRIPTION
SEE610W	TVI / CVI / AHD Eyeball Camera

Other Products to Consider



TVI / CVI / AHD / CBVS NiteDevil Camera
SEE870B



TVI / CVI / AHD / CBVS Mini Eyeball Camera
SEE600W

All specifications are approximate. System Q Ltd reserves the right to change any product specifications or features without notice. Whilst every effort is made to ensure that these instructions are complete and accurate, System Q Ltd cannot be held responsible in any way for any losses, no matter how they arise, from errors or omissions in these instructions, or the performance or non-performance of the equipment that these instructions refer to.



WEE/CG078355

This symbol on the products and/or accompanying documents means that used electronic equipment must not be mixed with general household waste. For treatment, recovery and recycling please return this unit to your trade supplier or local designated collection point as defined by your local council.

OSD Menu Continued On Next Page ▶▶▶

Special Sub Menu

NOTE Default settings are shown in blue.

SPECIAL	SUB MENU	OPTIONS
CAM TITLE		OFF / ON ON: SET CAMERA NAME AND POSITION
D-EFFECT	FREEZE	OFF / ON
	MIRROR	OFF / MIRROR / V-FLIP / ROTATE
	NEG. IMAGE	OFF / ON
MOTION		OFF / ON ON: 1. SELECT: AREA1 ~ AREA4 (AREA 1) 2. DISPLAY: ON / OFF ON: Directions to adjust position, SET to confirm position, directions to adjust size, SET to confirm size. 3. SENSITIVITY: 0 ~ 100 (64) 4. COLOUR: GREEN / BLUE / WHITE / GREEN 5. TRANS: 0.00 ~ 1.00 (1.00) 6. ALARM 1. VIEW TYPE: ALL / OFF / BLOCK / OUTLINE 2. OSD VIEW: ON / OFF 3. ALARM OUT: ON / OFF 4. TIME: 0 ~ 15 (3)
PRIVACY		OFF / ON ON: 1. SELECT: AREA1 ~ AREA8 (AREA 1) 2. DISPLAY: COLOR / OFF / MOSAIC / INV COLOUR, MOSAIC & INV: Directions to adjust position, SET to confirm position, directions to adjust size, SET to confirm size. 3. COLOUR: WHITE / BLACK / BLUE / YELLOW / GREEN / CYAN / USER 4. TRANS: 0.25 ~ 1.00 (1.00) 5. DEFAULT
LANGUAGE		ENG / JPN / CHN1 / CHN2 / GER / FRA / ITA / SPA / POL / RUS / POR / NED / TUR / KOR / JPN / HEB / ARB
DEFECT	LIVE DPC	ON / OFF ON: 1. AGC LEVEL: 0 ~ 255 (64) 3. LEVEL: 0 ~ 100 (64)
	WHITE DPC	ON / OFF ON: 1. AREA/SIZE: Directions to adjust position, SET to confirm position, directions to adjust size, SET to confirm size. 2. START 3. DPC VIEW: OFF / ON 4. LEVEL: 0 ~ 100 (10) 5. AGC: 0 ~ 15 (12) 6. SENS-UP: X2 ~ X30 (X6)
	BLACK DPC	ON / OFF ON: 1. AREA/SIZE: Directions to adjust position, SET to confirm position, directions to adjust size, SET to confirm size. 3. START 4. DPC VIEW: OFF / ON 5. LEVEL: 0 ~ 100 (100)
RS485		1. CAM ID: 0 ~ 255 (1) 2. ID DISPLAY: OFF / ON ON: Directions to adjust position, SET to confirm 3. BAUD RATE: 2400 / 4800 / 9600 / 19200 / 38400
RETURN		RETURN TO MAIN MENU

Features

- 4 Switchable Outputs for Compatibility
- 4 High Powered IR LEDs
- HD 1080p for Quality Recordings
- AHD, CVI, TVI & Analogue
- Extra Deep Base For Easy Cabling
- Separate Lens to Avoid IR Reflection
- Discrete Panels Hides IR LEDs

Specification

FUNCTION	SPECIFICATION
Megapixel	2 Megapixel
Resolution	1080p / 700 TVL
Lens Type	2.8 -1 2mm Varifocal
Min. Illumination	0.0 Lux (with IR LEDs on)
Image Output	AHD / CVI / TVI / CBVS
InfraRed LEDs	4 High Power
IR Range	Up to 40m
Input Voltage	12V DC
Current	750mA (IR On)
WDR	Yes
Noise Reduction	2D / 3D
Day / Night	True Day/Night Mechanical IR
Finish	White
Build	Plastic
Dimensions	135mm x 125mm

Options Available

PART CODE	DESCRIPTION
SEE610W	TVI / CVI / AHD Eyeball Camera

Other Products To Consider



TVI / CVI / AHD / CBVS NiteDevil Camera
SEE870B



TVI / CVI / AHD / CBVS Mini Eyeball Camera
SEE600W

All specifications are approximate. System Q Ltd reserves the right to change any product specifications or features without notice. Whilst every effort is made to ensure that these instructions are complete and accurate, System Q Ltd cannot be held responsible in any way for any losses, no matter how they arise, from errors or omissions in these instructions, or the performance or non-performance of the equipment that these instructions refer to.



WEE/CG07835S

This symbol on the products and/or accompanying documents means that used electronic equipment must not be mixed with general household waste. For treatment, recovery and recycling please return this unit to your trade supplier or local designated collection point as defined by your local council.

Special Sub Menu Continued On Next Page ►►►

Fault Finding

The table below describes common problems and possible solutions.

Fault	Possible Cause	Possible Solution
Interference On The Camera Picture	Poor or inadequate cabling or an unregulated or poorly regulated power supply.	Make sure you are using a regulated 12V DC power supply.
No Picture	The camera cannot function without the correct working power supply.	Test that the camera has the correct voltage supplying it, you must do this with the camera connected so that there is load on the PSU. The camera should have at least 10.5V DC connected to it.
	Poor or incorrect cable used.	Check there is an image at the camera end with a test monitor using the CVBS test output. If there is a picture here but not at the DVR it could be one of the following: A. When using CAT cable ensure each core is connected to the same terminal on the camera and the balun at the DVR end. The terminals are polarity sensitive so ensure wires are connected to the correct terminals. B. Ensure that the BNC - BNC lead that you connect between the camera and monitor has no shorts or open circuits. If you are making your own lead, don't forget the lead must have two wires connected to complete the circuit, Video and Ground.
	Output not supported.	Ensure that the camera's output is set to a format supported by the DVR. See "Selecting The Video Output" on page 4.
The Picture's Colour Changes Constantly	Fluorescent lighting emits an electromagnetic field which can cause colour roll.	Move the camera further away from any fluorescent lighting.
Can't View Camera's OSD Via the CO-AX Cable	Incorrect output selected	The camera can only be configured via the co-ax cable when the camera's output is set to TVI and using a DVR which supports TVI coaxitron.

Features

- 4 Switchable Outputs for Compatibility
- 4 High Powered IR LEDs
- HD 1080p for Quality Recordings
- AHD, CVI, TVI & Analogue
- Extra Deep Base For Easy Cabling
- Separate Lens to Avoid IR Reflection
- Discrete Panels Hides IR LEDs

Specification

FUNCTION	SPECIFICATION
Megapixel	2 Megapixel
Resolution	1080p / 700 TVL
Lens Type	2.8 -1 2mm Varifocal
Min. Illumination	0.0 Lux (with IR LEDs on)
Image Output	AHD / CVI / TVI / CBVS
InfrRed LEDs	4 High Power
IR Range	Up to 40m
Input Voltage	12V DC
Current	750mA (IR On)
WDR	Yes
Noise Reduction	2D / 3D
Day / Night	True Day/Night Mechanical IR
Finish	White
Build	Plastic
Dimensions	135mm x 125mm

Options Available

PART CODE	DESCRIPTION
SEE610W	TVI / CVI / AHD Eyeball Camera

Other Products To Consider



TVI / CVI / AHD / CBVS NiteDevil Camera
SEE870B



TVI / CVI / AHD / CBVS Mini Eyeball Camera
SEE600W

All specifications are approximate. System Q Ltd reserves the right to change any product specifications or features without notice. Whilst every effort is made to ensure that these instructions are complete and accurate, System Q Ltd cannot be held responsible in any way for any losses, no matter how they arise, from errors or omissions in these instructions, or the performance or non-performance of the equipment that these instructions refer to.



WEE/CG0783SS

This symbol on the products and/or accompanying documents means that used electronic equipment must not be mixed with general household waste. For treatment, recovery and recycling please return this unit to your trade supplier or local designated collection point as defined by your local council.