

## SEE805(B/W) External HD Camera (3.6mm)

The SEE805 has multi format HD modes for TVI, AHD, CVI and CVBS and a separate BNC for CVBS\* (analogue) use.

In addition the SEE805 comes in two colours, Glossy Black & Glossy White with the following features:

- Multi format TVI/AHD/CVI/CVBS plus separate BNC for CVBS\*
- 2.1 MegaPixel 1080P/700TVL (CVBS)
- 3.6mm fixed lens
- 18x IR LEDs 20m range
- Privacy masking & Motion Detection
- Flat front glass for reducing IR flare\*\*
- All metal construction
- Internal/External use IP66 rated
- Wide Dynamic Range
- Sens-Up for improved night vision



## Special Features

The SEE805 cameras produce exceptional quality images using the Sony CMOS IMX323LQN 1/2.9" CCD providing HD 1080P resolution.

The SEE805 is a multi-format HD camera with TVI, AHD, CVI and CVBS mode selection and in addition a separate analogue output (CVBS) on a separate BNC lead.

\* Additional CVBS output available if using HD, but only one CVBS if not.

In HD-TVI mode the cameras have the Coaxitron Control facility for changing the OSD menu specifications via the DVR or remote network connection, or via the camera.

This camera has the Sens-Up menu feature for reducing shutter speed for improving light capture at night.

Optional deep base allowing both BNC connectors, 2.1 power jack and menu control button to be stored.

\*\*If you have fitted cameras with IRs and have experienced issues with IR reflection, then this camera with the **flat front glass** reduces this problem considerably.

### Mounting the Camera

The camera can be used for outdoor mounting on a wall, building or under a lintel, but could also be used inside, in an appropriate position. There are replacement deep bases that allow the cable connections to be stored and menu access made using coaxitron if using TVI format. Alternatively the connections can be stored in the wall void or in a waterproof box close to the camera if access to the manual controller is required. Feed the connection cables through the base or via one of the cut-outs in the base and secure the base using the screws provided.

### Powering the Camera

The SEE805 draws 12V DC 350mA when IRs are on, and power consumption is rated at 4.2 watts. It should be noted that extra headroom is required when the camera is first powered up so we recommend connecting it to a 12v DC regulated minimum 500mA power supply. The camera is provided with a fly lead with a mini power 2.1mm DC socket. The camera is polarity sensitive so connections must be correctly made.

### Connecting the camera to control equipment

The dome camera comes with a fly lead for power, TVI/AHD/CVI/CVBS selected BNC video output plus a second analogue (CVBS) video output on a separate BNC lead. Connect the HD camera to control equipment via a female BNC-BNC lead. When using a co-ax type cable such as RG59 or similar, the outer braid of the co-ax provides the "0V GROUND" connection and the inner core provides the "Video" connection. The separate analogue (CVBS) output is primarily available for setup purposes but can be used for viewing via an analogue monitor. Note that you cannot use both analogue outputs together but can view one analogue and one HD.

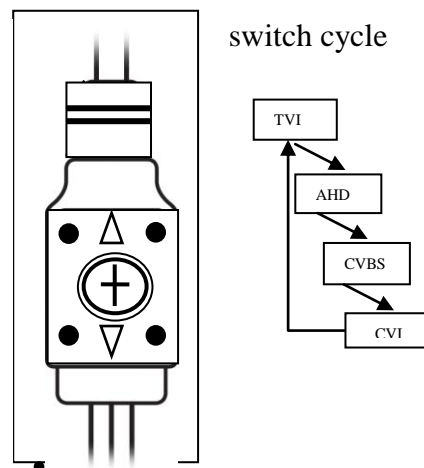
These cameras can be viewed in TVI, AHD, CVI and CVBS. First power the camera up when it is connected to a monitor or DVR and monitor, and see if the required format displays a colour picture. If not, press the joystick button in and not down, for 3 seconds. Repeat until picture displays in colour and is sharp. (Note that picture may be in b/w in low light levels or the cellophane lens cover has not been removed).

Alternatively if you use the menu, you can change the camera format in the menu:

Example - Change camera format to TVI:

<System> <Output> <MAIN OUTPUT ANALOG OUT0

<System> <Output> <ANALOG OUT0 TVI ←



When you are in correct format, press the joystick button in, momentarily, if you wish to access the menu.

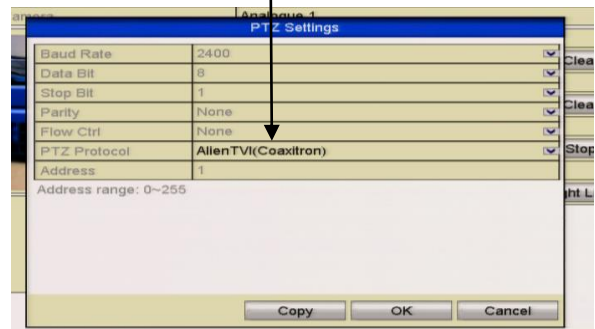
### Manual Zoom and Focus

This camera has a fixed 3.6mm lens and cannot be adjusted for zoom and focus.

**Menu Access via TVI DVR using Coaxitron**

Access to the camera menu is via the menu buttons on the camera or via the Up the Co-ax connection. Access by the menu buttons is described below. To use the **Up The Coax** connection, this can be accessed using the PTZ menu in the MEGA TVI or MAX TVI DVRs using the AlienTVI(Coaxitron) protocol. This protocol is generally set in the PTZ Settings menu as default but if not, select using the following:

Enter the **DVR Menu**, click on **Video**, **PTZ** and select the **channel** number of the TVI camera connected to the DVR. Then click on **PTZ Settings** and select **AlienTVI(Coaxitron)** and click **OK**.



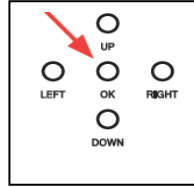
Now click on the **PTZ** button at the bottom of the screen and a full screen picture will be displayed with the PTZ control menu. Click on the **IRIS+** button to display menu



Use the directional arrows to move up and down or left or right to select options.

**OSD Menu**

The SEE8050 has an on screen display menu. This can be accessed using the joystick on the camera.



Press the centre button straight down (see arrow) to enter the menu and use Left, Right, Up and Down to move through and amend menu settings.

Alternatively use the TVI DVR PTZ menu as detailed in “Menu Access via DVR” above.

The following menu display is shown:

<p><b>IRIS</b></p>	<p>ELC ALC</p>	<p>Electronic Light Control – overall brightness of picture Auto light compensation – measures peak light levels</p>
<p><b>FOCUS ADJ</b></p>	<p>OFF ON ↙</p>	<p>Focus Area Wide / Narrow / Middle (Def Wide) Disp Tone (Display Tone 0 Low, 1 Medium , 2 High Disp H_Pos 0 ~ 60 Horizontal Position (Def 2) Disp V_Pos 0 ~ 34 Vertical Position (Def 12) Disp H_Size 0 ~ 60 Horizontal Size (Def 2) Disp V_Size 0 ~ 34 Vertical Size (Def 14) Return</p>
<p><b>EXPOSURE</b> ↙</p>	<p>BRIGHTNESS SHUTTER  SENS-UP AGC RETURN</p>	<p>0 ~ 20 (Def 10) Auto ↙ / Manual ↙ / Flicker Normal / Deblur (Def Auto) Manual- 1/25,1/50,1/100,1/200,1/400,1/800,1/1600,1/3200, 1/6400,1/12800,1/25600 (Def 1/25) Flicker Off /x2/x4/x8/x16/x32 (Def Off) 0 ~ 10 (Def 10)</p>
<p><b>BACKLIGHT</b></p>	<p>OFF HLC ↙  BLC ↙ WDR ↙  <b>SPECIAL NOTE: IF USING WDR YOU WILL LOSE ANY CVBS CONNECTION</b></p>	<p>Level 1 ~ 20 / Color – BLK/Customise/WHT/YEL/CYN/GRN/MAG/RED/BLU H-Pos – V-Pos – H-Size – V-Size - Return Normal / ROI ↙ (Region of Interest) ROI – Window Zone 0 ~ 3 Window Use ON / OFF H-POS 320 V-POS 180 H-SIZE 512 V-SIZE 432 Return ↙ Weight – Low / Middle / High (Def Middle) Return</p>

**SEE805 Multi-Format HD Camera (TVI/AHD/CVI) & Analogue with IRs**

<p><b>DAY&amp;NIGHT</b></p>	<p>EXTERNAL ↵</p> <p>AUTO ↵</p> <p>COLOUR</p> <p>B&amp;W ↵</p>	<p>IR LED Off / On                      Anti-Sat. 1 ~ 20 Default 10 (Not used when IRs off)                      Extern S/W Low / High                      D-&gt;N Level 1 ~ 20 Default 13                      N-&gt;D Level 1 ~ 20 Default 7                      Delay – Low / Middle / High - Return</p> <p>IR LED Off / On                      Anti-Sat. 1 ~ 20 Default 10 (Not used when IRs off)                      AGC Threshold 1 ~ 20                      AGC Margin 1 ~ 20                      Delay – Low / Middle / High - Return</p> <p>IR LED Off / On                      Anti-Sat. 1 ~ 20 Default 10 (Not used when IRs off)                      Return</p>
<p><b>COLOR ↵</b></p>	<p>AWB Auto                      Color Gain 1 ~ 20                      (Default 13)                      Return</p>	<p>AUTOext / Preset (Push)                      Color Gain 1 ~ 20 Default 13                      Return</p> <p>MANUAL ↵                      C-Temp 5000K / 8000K / 3000K                      R-Gain 1 ~ 20 (Default 10)                      B-Gain 1 ~ 20 (Default 10)                      Return</p>
<p><b>DIGITAL NOISE REDUCTION</b></p>	<p>DNR</p>	<p>Off / Low / Middle / High</p>
<p><b>IMAGE</b></p>	<p>SHARPNESS ↵</p> <p>GAMMA</p> <p>MIRROR</p> <p>FLIP</p> <p>ACE</p> <p>DEFOG</p> <p>PRIVACY</p> <p>RETURN ↵</p>	<p>CVBS / CVI / TVI / AHD - 1 ~ 10 TVI Default 4                      0.55 / 0.65 / 0.75 / 0.45                      Off / On                      Off / On                      Off / Low / Middle / High (Adaptive Colour &amp; Contrast Enhancement)</p> <p>Off / On ↵ Mode – Auto / Manual                      Level - Low / Middle / High</p> <p>Off / On ↵ Zone Num (0 ~ 15) / Zone Disp Off / On                      H-Pos / V-Pos / H-Size / V-Size /                      Y-Level (1 ~ 20) / CR Level (1 ~ 20)                      CB Level (1 ~ 20) / Return                      TRANS (0 ~ 3)                      Return</p>

**SEE805 Multi-Format HD Camera (TVI/AHD/CVI) & Analogue with IRs**

<p><b>MOTION</b></p>	<p>OFF / ON ↵</p>	<p>Det Window ↵                  Window Zone 0 ~ 3                  Window Use On/Off                  Det H-Pos &lt;nn&gt; &lt;nn&gt; value = position                  Det V-Pos &lt;nn&gt; &lt;nn&gt; value = position                  Det H-Size &lt;nn&gt; &lt;nn&gt; value = size                  Det V-Size &lt;nn&gt; &lt;nn&gt; value = size                  Return                  Det Tone 0 ~ 4                  MDRect Fill On/Off                  Sensitivity 0 ~ 10 (Default 5)                  Motion OSD On/Off                  Text Alarm On/Off                  Signal Out Off/On                  Return</p>
<p><b>SYSTEM</b></p>	<p>OUTPUT ↵</p> <p>FRAME RATE                  FREQUENCY                  COM. ↵</p> <p>IMAGE RANGE                  FULL / COMP / USER ↵</p> <p>COLOR SPACE                  AUDIO MIC                  COLOR BAR                  LANGUAGE                  CAM TITLE</p> <p>RESET ON(Push)                  Return</p>	<p>Main Output Analog Out 0 ↵ / Out 1 ↵                  Analog Out 0 TVI/AHD/CVI / Analog Out1 CVBS                  Y Gain 0 ~ 32 Def 16 / Y Gain not used                  CB Gain 0 ~ 32 Def 12 / CB Gain not used                  CR Gain 0 ~ 32 Def 12 / CR Gain not used                  Position 0 ~ 256 Def 128 / Position not used                  Burst Freq 0 ~ 256 Def 128 / Burst Freq not used                  Burst Gain 0 ~ 128 Def 69 / Burst Gain not used                  UCC Select0 8 Byte (<b>Do not change this</b>)                  720 EX Off/ On                  UCC Select1 not used                  Exit                  1080 25P                  50Hz / 60Hz                  COM                  Cam ID 0 ~ 255 Default 0                  Baudrate 2400 / 4800 / 9600 / 57600 / 115200                  Set Done On (push)                  Return                  FULL / COMP / USER ↵                  Offset 0 ~ 32 (Default 16)                  Return</p> <p>IMAGE RANGE                  Offset 0 ~ 32 (Default 16)                  Return</p> <p>HD-CbCr / YUV / SD-CbCr                  (Not Used)                  Off / On                  ENG / CHN / CHN(S) / JPN / KOR                  Off / Right Up ↵ / Left Down ↵                  (Use up or down to select character and                  left or right to select position)                  Hold down Iris+ button for 3 seconds</p>
<p><b>EXIT</b></p>	<p>Press IRIS + to exit</p>	

**Menu Description**

The following menu description gives more in depth information about the menu options. In some instances recommendations are made to hopefully enhance the results. However every installation will be different and there will occasions when alternative solutions may be more suitable.

<b>IRIS</b>	ELC	Electronic Light Control – measures overall brightness
	ALC	Auto light compensation – measures peak light levels

**ELC** Electronic Light Control – measures overall brightness of picture and applies to manual iris lens

**ALC** Auto light compensation – measures peak light levels and applies to auto iris lens which this camera has.

**Recommendation is to set ELC**

<b>FOCUS ADJ</b>	OFF	Focus Area Wide / Narrow / Middle (Def Wide) Disp Tone (Display Tone 0 Low, 1 Medium , 2 High) Disp H_Pos 0 ~ 60 Horizontal Position (Def 2) Disp V_Pos 0 ~ 34 Vertical Position (Def 12) Disp H_Size 0 ~ 60 Horizontal Size (Def 2) Disp V_Size 0 ~ 34 Vertical Size (Def 14) Return
	ON ↩	

**This camera has a fixed lens and therefore focus is not adjustable. This option is N/A.**

**Focus Area Middle / Wide / Narrow** Select to create a focus box

In the camera menu you can enter the Focus Adjustment option and select an area for best focus result by creating a box (Wide, Middle or Narrow) to select the required area for focusing. These 3 bars means sharpness, from left to right means from low frequency to high frequency, or from wide range to narrow range sharpness. Green stands for the former highest sharpness, Yellow stands for the present highest sharpness. Note that this is a setup aid for manual focusing and only applies when manual vari-focal lenses are used. Ensure option is switched off after setup.

**Disp Tone 0 / 1 / 2** (Alter brightness of focus aid)

**Disp H \_ Pos** (Set horizontal position of Focus Box)

**Disp V \_ Pos** (Set vertical position of Focus Box)

**Disp H \_ Size** (Set horizontal size of Focus Box)

**Disp V \_ Size** (Set vertical size of Focus Box)

**RETURN**

Return to Main Menu

<b>EXPOSURE</b> ↵	BRIGHTNESS SHUTTER   SENS-UP AGC RETURN	0 ~ 20 (Def 10) Auto ↵ / Manual ↵ / Flicker Normal /Deblur (Def Auto) Manual- 1/25,1/50,1/100,1/200,1/400,1/800,1/1600,1/3200, 1/6400,1/12800,1/25600 (Def 1/25) Flicker Off /x2/x4/x8/x16/x32 (Def Off) 0 ~ 10 (Def 10)
-------------------	-----------------------------------------------------------	--------------------------------------------------------------------------------------------------------------------------------------------------------------------------------------------------------------------------------------------------

**BRIGHTNESS**      **1 ~ 20** (Default = 10)

Use this setting to increase brightness by opening camera iris. Useful for improving night time viewing by using in conjunction with the Sens-Up option. However be aware to consider possible effects when there is strong sunlight in summer that if setting brightness to high it may cause the picture to white out.

**Recommendation is to set brightness to 15.**

**SHUTTER**              **Auto / Manual**

1/25,1/50,1/100,1/200,1/400,1/800,1/1600,1/3200,1/6400,1/12800,1/25600,  
Flicker

Shutter speed changes allow you to freeze moving objects without ghosting but reduce the amount of available light the faster the shutter operates. At night the slower the shutter speed the more light is available. The Flicker option sets the shutter speed at 1/250 that synchronises with fluorescent tubes so that the pulsing effect is minimised.

**Recommendation is to leave this in Auto.**

**SENSUP**                  **Off /x2/x4/x8/x16/x32**

The SensUp option allows the shutter speed to be reduced allowing additional light to be captured. Increasing brightness helps night time viewing (see BRIGHTNESS setting above). If set too high and SensUp is slowing shutter speed down to a lower speed than any movement speed, ghosting can occur.

**Recommend that SensUp is switched to x2 or greater but higher settings can cause ghosting.**

**AGC**                      **1 ~ 20** (Default = 10)

For better performance in low light conditions the AGC (Automatic Gain Control) can be increased. This has the effect of making the picture brighter but it may also add more noise as it amplifies all aspects of the video signal. Snowy pictures can be caused when SensUp levels are increased.

**Recommend AGC is decreased below 10 if Sensup is set. Set to 9 if SensUp x2.**

**RETURN**

Return to main menu.



<b>BACKLIGHT</b>	OFF HLC ↵  BLC ↵ WDR ↵  <b>SPECIAL NOTE:                  IF USING WDR YOU                  WILL LOSE ANY CVBS                  CONNECTION</b>	Level 1 ~ 20 / Color – BLK/Customise/WHT/YEL/CYN/GRN/MAG/RED/BLU H-Pos – V-Pos – H-Size – V-Size - Return Normal / ROI ↵ (Region of Interest) ROI – Window Zone 0 ~ 3 Window Use ON / OFF H-POS 320 V-POS 180 H-SIZE 512 V-SIZE 432 Return ↵ Weight – Low / Middle / High (Def Middle) Return
------------------	------------------------------------------------------------------------------------------------------------------------------------------------------------------------------	--------------------------------------------------------------------------------------------------------------------------------------------------------------------------------------------------------------------------------------------------------------------------------------------------------------------------------------

Backlight Compensation when set, can balance light levels during day and night so that light hitting objects viewed, is evenly spread across the picture. There are three options HLC, BLC and WDR that can be selected.

**HLC ↵**

**(High Level Backlight Compensation)**

**Level 1 ~ 20 / Mode – All Day / Night Only**

HLC is high level backlight compensation that will darken a bright area e.g car headlights. This can be set for all day or night only. The lower the level the more compensation is applied. Note that using the night option may be best as daytime pictures generally give a more even spread of light apart from sunlight issues.

**Recommend only to use on Night Only if bright lights are causing complete video loss.**

**BLC ↵**

**(Backlight Compensation)**

**H-Pos – V-Pos – H-Size – V-Size**

BLC is the standard setting for low level light differences. Select an area where BLC is required. Using the H-Pos (Horizontal Position) and V-Pos (Vertical Position) followed by H-Size (Horizontal Size) and V-Size (Vertical Size) create a box where light balancing is required.

**WDR ↵**

**(Wide Dynamic Range) Normal / ROI (Region of Interest) / Weight – Low / Middle / High**

WDR is used for surveillance applications where there is a large difference in foreground and background light levels. Without the option switched on, views by cameras looking through windows may not give good reproduction outside. Also where there are areas of shadow and bright sunlight, the WDR option helps to balance light levels. ROI provides an option to create up to 4 areas using WDR rather than applying to the whole picture.

**Recommend using WDR where balancing light levels in warehouses or large buildings is difficult. Also helps when light is entering a window or door entrance.**

**Return**

Return to main menu

<b>DAY&amp;NIGHT</b>	EXTERNAL ↩	IR LED Off / On Anti-Sat. 1 ~ 20 (Not used when IRs off) Extern S/W Low / High D->N Level 1 ~ 20 Default 13 N->D Level 1 ~ 20 Default 7 Delay – Low / Middle / High - Return
	AUTO ↩	IR LED Off / On Anti-Sat. 1 ~ 20 (Not used when IRs off) AGC Threshold 1 ~ 20 AGC Margin 1 ~ 20 Delay – Low / Middle / High - Return
	COLOUR	
	B&W ↩	IR LED Off / On Anti-Sat. 1 ~ 20 (Not used when IRs off) Return

Day & Night menu controls light settings and predominantly provides options for using the cameras’ Infra-Red facilities. There are four sub-options namely External, Auto, Colour and Black & White.

**EXTERNAL ↩**

This option does not use the internal CDS sensor to measure the available light. With cameras using their own IR light source, this option can give the best results. Note that this option has a manual adjustment for setting IR switch on according to lux level from day to night and from night to day, plus an option for applying a delay factor. This stops switching until a pre-determined lux level remains constant. There is also the option to switch off the IRs.

**Recommend to try this option if Auto does not give required results.**

**AUTO ↩**

The standard Auto function uses the internal CDS to measure available light. This uses AGC (Automatic Gain Control) and Anti Saturation to measure picture quality before switching which is used in conjunction with a pre-determined time interval when lux levels remain constant. There is also the option to switch off the camera IRs.

**COLOUR**

This option will remain in colour mode day and night. There are no sub menu settings. This will only be applicable when light levels at night allow the camera to continue working at 4 lux or higher.

**B&W ↩**

When this option is selected the camera will remain in black and white mode, day and night. The only sub menus available are Anti Saturation and the option to switch off the camera IRs.

**Return**

Return to main menu.

<b>COLOR</b> ↩	AWB Auto Color Gain 1 ~ 20 (Default 13) Return	AUTOext / Preset (Push) Color Gain 1 ~ 20 Default 13 Return  MANUAL ↩ C-Temp 5000K / 8000K / 3000K R-Gain 1 ~ 20 (Default 10) B-Gain 1 ~ 20 (Default 10) Return
----------------	---------------------------------------------------------	-----------------------------------------------------------------------------------------------------------------------------------------------------------------------------------------

This feature automatically adjusts the colour settings in the camera to match the type of light available, so that white and other colours appear as natural as possible.

**AUTO**

This option automatically sets white balance.

**AUTOext**

This option is generally used to set white balance when camera is used externally.

**PRESET(Push)** Press IRIS+ or joystick centre button down

This option allows you to set white balance using current light levels. Settings will only change when you press IRIS+ or joystick centre button down.

**MANUAL** ↩

Use this option to manually balance light levels. Note that the manual option is used for a static light environment and generally suitable for cameras installed indoors using constant artificial light.

- C-Temp 5000K / 8000K / 3000K
- R-Gain 1 ~ 20 (Default 10) Sets Red Gain
- B-Gain 1 ~ 20 (Default 10) Sets Blue Gain
- Return

**RETURN**

Return to main menu

<b>DIGITAL NOISE REDUCTION</b>	DNR	Off / Low / Middle / High
--------------------------------	-----	---------------------------

**DNR Off / Low / Middle / High**

Digital Noise Reduction is generally applied when the Sens-Up feature is used to improve night time views in low light conditions. Using the Sens-Up option slows the shutter speed but this increases noise and causes grainy picture effects. DNR helps to minimise this effect. The options low, medium and high, apply different levels of noise reduction and therefore have to be tested to gain the best result as light levels will be different at every site and location.

**Recommend to leave off even when Sense-Up is on and if grainy picture is created then test starting at low, and leave camera on the best setting.**

**SEE805 Multi-Format HD Camera (TVI/AHD/CVI) & Analogue with IRs**

<b>IMAGE</b>	SHARPNESS ↵ GAMMA MIRROR FLIP ACE  DEFOG  PRIVACY   RETURN ↵	CVBS / CVI / TVI / AHD - 1 ~ 10 TVI Default 4 0.55 / 0.65 / 0.75 / 0.45 Off / On Off / On Off / Low / Middle / High (Adaptive Colour & Contrast Enhancement) Off / On ↵ Mode – Auto / Manual Level - Low / Middle / High Off / On ↵ Zone Num (0 ~ 15) / Zone Disp Off / On H-Pos / V-Pos / H-Size / V-Size / Y-Level (1 ~ 20) / CR Level (1 ~ 20) CB Level (1 ~ 20) / Return TRANS (0 ~ 3) Return
--------------	-----------------------------------------------------------------------------------------------	---------------------------------------------------------------------------------------------------------------------------------------------------------------------------------------------------------------------------------------------------------------------------------------------------------------------------------------------------------------------------------------------------------------------------------------

**IMAGE ↵**

The Image menu covers a variety of options including sharpness, mirror, defog, shading and privacy masking facilities.

**Sharpness ↵ (1~ 10 for CVBS / CVI / TVI / AHD)**

Depending on the camera format selected, the format/s will be in dark type for adjustment. The sharpness control is done by digital correction and the best way to set this option is to set level to maximum of 10, then flick back to 1, to see the difference. Then adjust to display sharpest picture without displaying heavy black lines around subjects.

**Gamma 0.55 / 0.65 / 0.75 / 0.45 (Default 0.55)**

Gamma correction controls and adjusts the overall brightness of an image.  
**Recommend trying each option and select best quality picture**

**Mirror Off / On**

This option changes a left handed view to a right handed view if switched on.

**Flip Off / On**

This option turns a view upside down. This option is generally used with the Mirror function.

**ACE Off / Low / Middle / High**

Adaptive Colour & Contrast Enhancement (ACE) is an automated option for adjusting colour and contrast as light levels changes through the day. Low, middle or high options are available.  
**Recommend setting option to Low**

**DEFOG Off / On ↵**

Mode – Auto - Level - Low / Middle / High  
 Manual - Level - Low / Middle / High

The defog option can be used to improve the captured image in poor weather conditions such as smog, fog or smoke. Three levels of optimisation can be applied, low, middle or high. This option is useful to stabilise rapid fluctuating light levels.  
**Recommend setting this option to On**

**PRIVACY**

**Off / On** ↵

Zone Num (0 ~ 15) This function allows the creation of up to 16 coloured areas to be created to provide privacy masking.

Zone Disp Off /On The Zone Display allows you to switch on and off the zone number.

H-Pos / V-Pos / H-Size / V-Size

Each area can be positioned using the H-Pos (horizontal position), VPos (vertical position) and sized using the H-Size (horizontal size) and V-Size (vertical size) options. The Zone Display allows you to switch on and off the zone number.

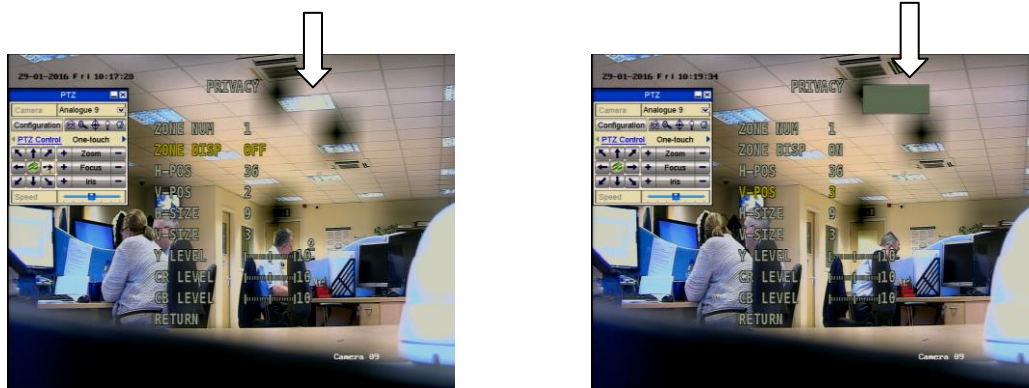
Y-Level (1 ~ 20)

CR Level (1 ~ 20)

CB Level (1 ~ 20)

The Y-Level is the colour hue for privacy masking and the CR Level (Chrominance Red) and CB Level (Chrominance Blue) are used to create the required colour.

The pictures below show an area that has been masked, before and after.



TRANS (0 ~ 3) Set the transparency level of the masked areas.

**RETURN**

Return to main menu

<b>MOTION</b>	OFF / ON ↵	Det Window ↵ Window Zone 0 ~ 3 Window Use On/Off Det H-Pos <nn> <nn> value = position Det V-Pos <nn> <nn> value = position Det H-Size <nn> <nn> value = size Det V-Size <nn> <nn> value = size Return Det Tone 0 ~ 4 MDRect Fill On/Off Sensitivity 0 ~ 10 (Default 5) Motion OSD On/Off Text Alarm On/Off Signal Out Off/On Return
---------------	------------	-------------------------------------------------------------------------------------------------------------------------------------------------------------------------------------------------------------------------------------------------------------------------------------------------------------------------------------------------------------------------------

**MOTION Off / On ↵**

The motion option when switched on allows you to create up to four areas in the picture and as motion is detected in these areas, the areas will be displayed with red moving boxes.

**DET WINDOW ↵** Enter to select window number

- Window Zone** 0 ~3
- Window Use** On / Off
- Det H-Pos** <nn> Set horizontal position
- Det V-Pos** <nn> Set vertical position
- Det H-Size** <nn> Set horizontal size
- Det V-Size** <nn> Set vertical size

Each area can be positioned using the H-Pos (horizontal position), VPos (vertical position) and sized using the H-Size (horizontal size) and V-Size (vertical size) options.

**Return**

**DET TONE 0 ~ 4** Sets the background tone to enable the motion detect area to be more or less prominent.

**MDRECT FILL On / Off** Allows the switching on or off of the selected zone

**SENSITIVITY 0 ~ 10** Sets the sensitivity of the motion detection

**MOTION OSD On / Off** Switch Motion On Screen Display on or off

**TEXT ALARM On / Off** Switch Motion Text Alarm on or off.

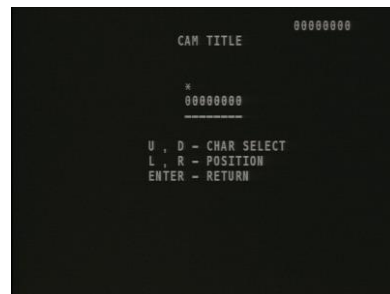
**Return**



**SEE805 Multi-Format HD Camera (TVI/AHD/CVI) & Analogue with IRs**

- Analog Out1 CVBS / TVI↵ / Off
- Analog Out1 CVBS
- Return
- FRAME RATE** 1080 25P / 720 25P / 720 (Crop) 50P (Select camera frame rate)  
Sets the camera output mode. 1080P is default.
- FREQ** 50Hz / 60Hz (Cycles per second)
- COM. ↵** Cam ID 1 (Set ID number in camera between 0 and 255)  
Baud Rate 2400 / 4800 / 9600 / 57600 / 115200  
Set Done (Press Iris+ button)  
Return
- IMAGE RANGE** Full / Comp / User ↵  
Offset 1 ~ 32 (Default = 16)  
Return
- COLOR SPACE** HD-CbCr (High Definition Chrominance Blue and Red)  
YUV (Allows grayscale adjustment (Y= luminance UV= colour))  
SD-CbCr (Standard Definition Chrominance Blue and Red)
- AUDIO MIC** Not used
- COLOR BAR** Off / On (Useful for testing camera colour quality)
- LANGUAGE** ENG / CHN / CHN(S) / JPN / KOR (Select language required)
- CAM TITLE** Off / Right Up↵ / Left Down ↵ (Enter camera title)

(Use up or down to select character and left or right to select position) Hold down Iris+ button for 3 seconds



**RESET ON(Push)↵** Press IRIS+ or joystick centre button down

**Return**

<b>EXIT</b>	<b>SAVE ↵</b> <b>CANCEL ↵</b>	Press IRIS + to exit Press IRIS + to cancel and exit without saving
-------------	----------------------------------	------------------------------------------------------------------------



**SEE805 Camera Specifications**

<b>Sensor</b>	SONY 2.19 MP CMOS IMX323LQN	<b>Video Outputs</b>	TVI, AHD, CVI & Analogue
<b>Resolution 1080p</b>	1920(H) x 1080(V) @ 30fps	<b>Independent CVBS</b>	CVBS 700TVL separate output *
<b>HD distance</b>	Stnd BNC 75ohm cable up to 500m	<b>IR Power</b>	18 IR LEDs <20m
<b>Lens</b>	3.6mm fixed	<b>Operating Temp.</b>	-10°C ~ +50°C
<b>Min.Illumination</b>	Colour 0.5 Lux @ F2.0, AGC On	<b>Power/Current</b>	12vDC 350mA IRs On / 95mA Off
<b>Mounting</b>	Ceiling and Wall mounting	<b>Mirror/Flip</b>	Off / On
<b>Menu</b>	OSD direct and via coaxitron	<b>Backlight</b>	HLC, BLC, WDR, Off
<b>WDR</b>	True WDR with ROI on 4 areas	<b>Dimensions</b>	94mm (d) x 80mm (h)
<b>S/N Ratio</b>	≥ 52dB (AGC Off)	<b>Build</b>	Cast Alloy Body
<b>Colour</b>	SEE805W White / SEE805B Black	<b>IP Rating</b>	IP66
<b>NiteDevil</b>	Sens-Up option included	<b>Extra Deepbase</b>	Additional for cable management
<b>Privacy Masking</b>	16 areas for Privacy Masking	<b>Noise Reduction</b>	2DNR and 3DNR low/mid/high
<b>Flat Front Glass</b>	Flat glass reduces IR reflection	<b>AGC</b>	Automatic/Selectable
<b>ACE</b>	Auto Colour Enhancement option	<b>Motion Detection</b>	On/Off 4 detection zones

\* ONLY ONE ANALOGUE OUPUT DISPLAYS AT ANY TIME



This symbol on the products and/or accompanying documents means that used electronic equipment must not be mixed with general household waste. For treatment, recovery and recycling please return this unit to your trade supplier or local designated collection point as defined by your local council.

All specifications are approximate. Kovert.com reserves the right to change any product specification or features without notice. Whilst every effort is made to ensure that these instructions are complete and accurate, kovert.com cannot be held responsible in any way for any losses, no matter how they arise, from errors or omissions in these instructions, or the performance or non-performance of the camera or other equipment that these instructions refer to.