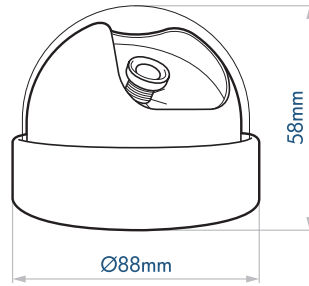


CAM517B - Mini Internal Dome Camera In Black



Features

- 700 TVL
- 0.001 Lux
- 3.6mm Board
- Only 9cm Diameter

Specification

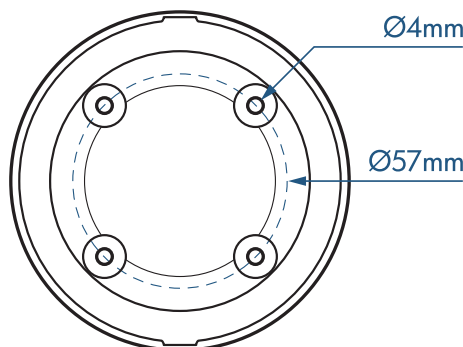
FUNCTION	SPECIFICATION
CCD	1/3" Sharp Colour
Resolution	700TVL
Lens	3.6mm Board /F2.0
Min. Illumination	0.001 Lux
Video Output	1v p ~ p, 75Ω
Video Connection	BNC
Power/Current	12vDC (± 10%) 70mA
Power Connection	2.1mm Socket
S/N Ratio	More than 52dB
Gain Control	Automatic
Operating Temp.	-10°C ~ +50°C
Dimensions	88(D) x 58mm(H)

Mini Internal 700TVL Dome In Black

Measuring only 88mm in diameter the CAM517B is suited to most internal jobs especially where space is limited. The mini dome provides great image quality capturing at 700TVL & works well in low light conditions as low as 0.001 Lux.

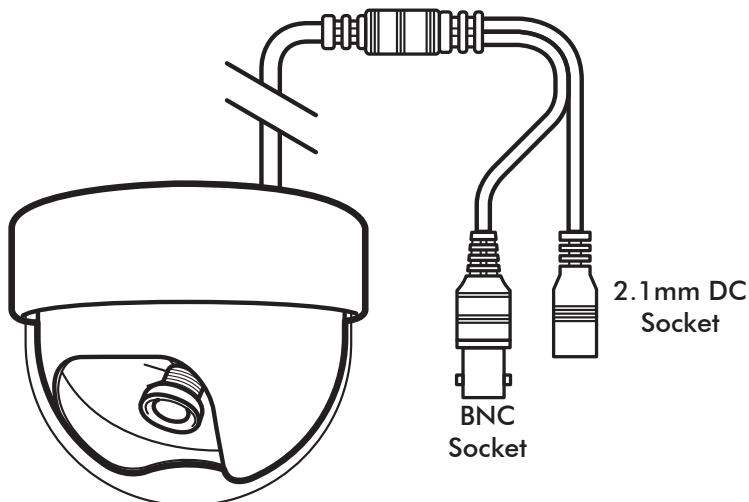
Mounting The Camera

The CAM517B is mounted by screwing through the four mounting holes in the base of the dome. The helpful diagram on the right shows sizes and dimensions.



Connecting The Camera

The CAM517B comes with moulded connections for video and power. There is a BNC socket for connecting the video and 2.1mm DC socket for connecting the power.



Options Available

PART CODE	DESCRIPTION
CAM517B	700TVL Mini Dome

Other Products To Consider




Mini Internal 700TVL Dome Camera In White With Up The Co-ax OSD Control
CAM515UW



2.8-12mm Vari-focal 700TVL Dome Camera With RS485 OSD Control
CAM520W

All specifications are approximate. System Q Ltd reserves the right to change any product specifications or features without notice. Whilst every effort is made to ensure that these instructions are complete and accurate, System Q Ltd cannot be held responsible in any way for any losses, no matter how they arise, from errors or omissions in these instructions, or the performance or non-performance of the equipment that these instructions refer to.

 This symbol on the products and/or accompanying documents means that used electronic equipment must not be mixed with general household waste. For treatment, recovery and recycling please return this unit to your trade supplier or local designated collection point as defined by your local council.
WEE/CG0783SS

Powering The Camera

The dome requires a 12V DC regulated power supply and has a standard 2.1mm DC socket for connecting the power. It is recommended to use a power supply that is rated higher than the current consumption of the camera i.e. the current consumption is 70mA add approximately 50% so use a power supply of 150mA or above.

Fault Finding

The table below describes common problems and possible solutions.

Fault	Possible Cause	Possible Solution
Interference On The Camera Picture	Poor or inadequate cabling or an unregulated or poorly regulated power supply.	Make sure you are using a regulated 12V DC power supply.
No Picture	The camera cannot function without the correct working power supply.	<p>Step 1 Test that the camera has the correct voltage supplying it, you must do this with the camera connected so that there is load on the PSU. The camera should have at least 10.5V DC connected to it.</p> <p>Step 2 Check there is and image at the camera end with a test monitor. If there is a picture here but not at the DVR it could be one of the following:</p> <p>A. Video loss in Composite cable as run too long usually you would get a picture up to around 120mtrs (Remedied by fitting a video amp).</p> <p>B. Ensure that the BNC - BNC lead that you connect between the camera and monitor has no shorts or open circuits. If you are making your own lead, don't forget the lead must have two wires connected to complete the circuit, Video and Ground.</p> <p>C. No Video signal down CAT5 or CAT5+2. Check you have used a "pair of cores" not individual cores from different pairs.</p>
One Camera Picture Overlaid On Another Using CAT5	Camera cores and pairs mixed up.	Check you have used a "pair of cores" not individual cores from different pairs.
The Picture's Colour Changes Constantly	Fluorescent lighting emits an electromagnetic field which can cause colour roll.	Move the camera further away from any fluorescent lighting.
Rolling Humbar Or Tearing Picture	Multiple grounds/earths between two pieces of equipment forming a new circuit. Any interference is carried by the current into the DVR and is displayed as a rolling 'Hum' bar.	Fit ground loop isolators between the cameras and the DVR at the DVR end. Ground loop isolators such as the Humbloc (CON700), terminate the ground loop blocking the hum and interference from entering the DVR.

Features

- 700 TVL
- 0.001 Lux
- 3.6mm Board
- Only 11cm Diameter

Specification

FUNCTION	SPECIFICATION
CCD	1/3" Sharp Colour
Resolution	700TVL
Lens	3.6mm Board /F2.0
Min. Illumination	0.001 Lux
Video Output	1v p ~ p, 75Ω
Video Connection	BNC
Power/Current	12vDC (± 10%) 70mA
Power Connection	2.1mm Socket
S/N Ratio	More than 52dB
Gain Control	Automatic
Operating Temp.	-10°C ~ +50°C
Dimensions	108mm(D) x 60mm(H)

Options Available

PART CODE	DESCRIPTION
CAM515W	700TVL Mini Dome

Other Products To Consider



Mini Internal 700TVL Domes Camera In Black
CAM517B



2.8-12mm Vari-focal 700TVL Dome Camera With RS485 OSD Control
CAM520W

All specifications are approximate. System Q Ltd reserves the right to change any product specifications or features without notice. Whilst every effort is made to ensure that these instructions are complete and accurate, System Q Ltd cannot be held responsible in any way for any losses, no matter how they arise, from errors or omissions in these instructions, or the performance or non-performance of the equipment that these instructions refer to.

This symbol on the products and/or accompanying documents means that used electronic equipment must not be mixed with general household waste. For treatment, recovery and recycling please return this unit to your trade supplier or local designated collection point as defined by your local council.

WEE/CG0783SS

For more information on overcoming problems on long cable runs for 12V DC cameras see online tip 245 ▶▶▶

