



Instruction Manual

VDP103

Serial number HBY00401 Onwards

Table of Contents

Part 1 Introduction	1
Part 2 Programming	2
1 Entering Admin Mode	2
2 Changing the Admin PIN	4
3 Admin Cards	4
4 Adding an Entry PIN	4
5 Adding a Card or Fob	4
Adding using the Admin Pin	4
Adding using the Add Card	5
6 Adding a PIN to a Card or FOB	5
7 Deleting a Card or Fob	5
Deleting using the Admin Pin	5
Deleting using the Delete Card	5
Deleting All Cards and Fobs	6
8 Unlock Mode	7
9 Unlock Time	7
10 Safe Mode	8
Part 3 Operation	9
Part 4 Appendix	9
1 Default Settings	10
2 Connections	11
3 Installation	12
4 Anti-Tamper Alarm	12
5 Specification	13
Part 5 Conditions	14
Index	15

Introduction

New VDP103 from serial number HBY00401 onwards has new firmware that is setup and programmed from the keypad.

Prior to this serial number the VDP103 required access to the back of the unit to add cards or PIN numbers.

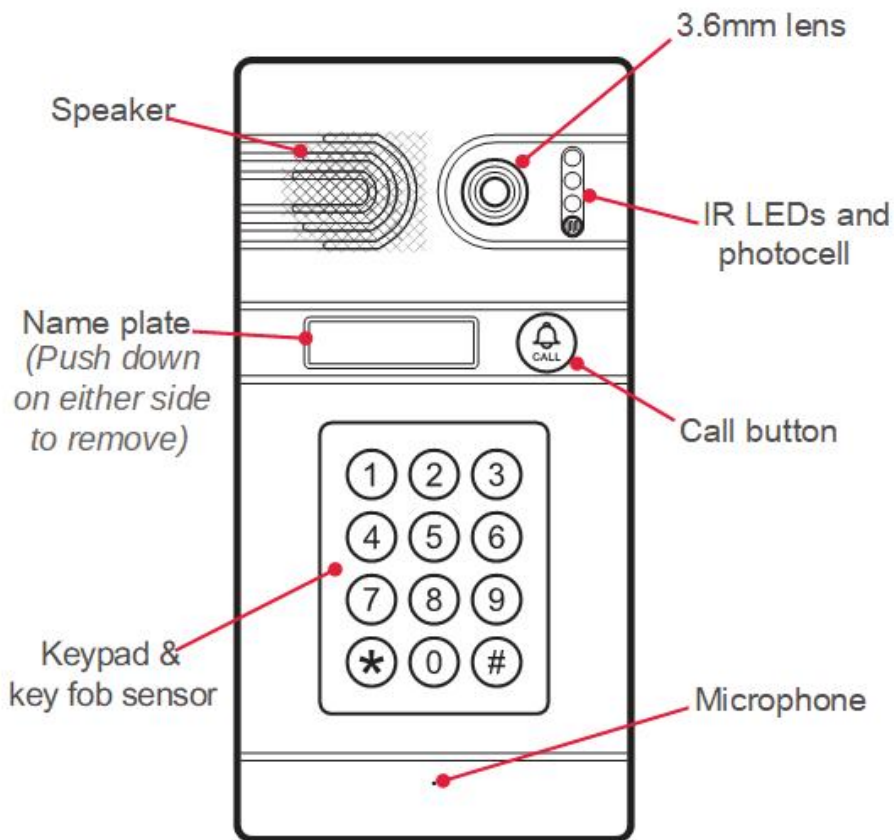
With a stylish brushed aluminium finish and quality build the VDP103 is ideal for retail and commercial projects. As well as functioning as a standard door entry camera, trusted users can also activate the door release and enter the building using the VDP103 with either a programmable key code or key fob (2 key fobs supplied, additional cards and key fobs available. Order Codes:- Cards [VDPCARD01](#) or Fobs [VDPFOB01](#)).

A 6 digit PIN can be set up for access without a card or fob.

A maximum of 200 cards or fobs can be paired to a single VDP103. Each card or fob however can be paired to multiple door cameras so the same card or fob can be used to open multiple doors.

You will need to pair the card or fob to each door entry unit separately.

Built in **Anti-Tamper**, this is designed to be triggered when the unit is moved but maybe triggered if it is laid flat. See [Anti-Tamper Alarm](#)¹².



Programming

- [Entering Admin Mode](#)²
- [Changing the Admin PIN](#)⁴
- [Admin Cards](#)⁴
- [Adding an Entry PIN](#)⁴
- [Adding a Card or Fob](#)⁴
- [Adding a PIN to a Card or FOB](#)⁵
- [Deleting a Card or Fob](#)⁵
- [Unlock Mode](#)⁷
- [Unlock Time](#)⁷
- [Safe Mode](#)⁸

Note: When in admin mode the VDP103 will beep 3 times and exit admin mode if nothing is pressed for 30 seconds.

2.1 Entering Admin Mode

Press ***(Admin PIN)#** the VDP103 will beep 2 twice and the light behind the name panel will flash slowly.

If an incorrect PIN is entered the VDP103 will beep 4 times.

For security reasons it is best to change the Admin PIN during installation. See [Changing the Admin PIN](#)⁴

Note: Default Admin PIN = 999999

Exiting Admin Mode

Pressing the * key until the panel stops flashing will exit admin mode.

The VDP103 will beep 3 times and exit admin mode if nothing is pressed for 30S.

2.2 Changing the Admin PIN

In admin mode:-

Press **077#nnnnnn#** (single beep) **nnnnnn#** (double beep)

Note: **nnnnnn** = new 6 digit PIN.

2.3 Admin Cards

Instead of entering the admin mode using the PIN, cards or fobs can be used to add or delete cards.

2 cards or fobs are required one for the Add card or fob and one for the Delete card or fob.

In admin mode:-

Press **6# swipe add card or fob** (double beep) **swipe delete card** or fob (double beep).

2.4 Adding an Entry PIN

The Entry Pin will allow access regardless of the unlock mode that the VDP is set to.

In admin mode:-

Press **011#nnnnnn#** (single beep) **nnnnnn#** (double beep)

Note: **nnnnnn** = new 6 digit PIN.

2.5 Adding a Card or Fob

- [Adding using the Admin Pin](#)⁴
- [Adding using the Add Card](#)⁵

2.5.1 Adding using the Admin Pin

In admin mode:-

Press **1nnn#**(single beep) **swipe card or fob** (double beep).

To add multiple cards do not press 1 again just enter **nnn#** (single beep) **swipe card or fob** (double beep).

4 beeps indicates that it has failed.

Don't forget if the unlock mode is set to card or fob and PIN then a PIN will have to be added for each card or fob. The user can do this themselves as this is not done in admin mode. See [Adding a PIN to a Card or Fob](#)⁵ .

Note: **nnn** = User No. between 001 and 199.

If a record is kept of the user and the User No. then the card or fob can be deleted using the user No. else the card or fob will be needed to delete it from the VDP103.

This is a handy way to remove lost cards or fobs from the system without having to delete them all.

2.5.2 Adding using the Add Card

Swipe the master add card or fob 3 times within 10 seconds (2 beeps, 2 beeps, 3beeps). The name panel will flash slowly.

Swipe the card or fob that you wish to add (double beep). Keep swiping cards or fobs until you have finished adding.

To exit adding mode swipe the master add card or fob again(single beep) or wait for 1 minute.

4 beeps indicates that it has failed.

To exit adding mode swipe the master card again(single beep) or wait for 1 minute.

Note: Cards and fobs added this way can only be deleted using the card or fob or else all cards and fobs will have to be deleted.

2.6 Adding a PIN to a Card or FOB

Depending on the [unlock mode](#)^{D7} the PIN can be used instead of or with the card or fob. The user can add a PIN themselves as admin mode is not required.

Press ***swipe card or fob**(double beep) **oooo#** (double beep, name panel will flash) **nnnn#** (single beep) **nnnn#** (single beep, name panel stops flashing.)

Note: **nnnn** = new 4 digit PIN

oooo = old PIN when changing PIN or the default PIN of 0000 when adding a PIN for the first time.

2.7 Deleting a Card or Fob

- [Deleting using the Admin Pin](#)^{D5}
- [Deleting using the Delete Card](#)^{D5}
- [Deleting All Cards](#)^{D6}

2.7.1 Deleting using the Admin Pin

In admin mode:-

Deleting a single card or fob and PIN using the user id - press **2nnn#** (double beep).

Deleting a single card or fob and PIN using the the card or fob - press **2 swipe card or fob** (double beep).

4 beeps indicates that it has failed.

To delete all cards at the same time see [Deleting All Cards and Fobs](#)^{D6} .

Note: **nnn** = User No. between 001 and 199.

2.7.2 Deleting using the Delete Card

Swipe the master card or fob 3 times within 10 seconds (2 beeps, 2 beeps, 3beeps). The name panel will flash slowly.

Swipe the card or fob that you wish to delete (double beep). Keep swiping cards or fobs until you have finished deleting.

To exit deleting mode swipe the master card again(single beep) or wait for 1 minute.

To delete all cards at the same time see [Deleting All Cards and Fobs](#)^{D6} .

2.7.3 Deleting All Cards and Fobs

In admin mode:-

Press **288#** (7 rapid beeps)

4 beeps indicates that it has failed.

2.8 Unlock Mode

There are three unlock modes card or fob only, card or fob or user PIN, card or fob and user PIN.

In admin mode:-

Card or fob mode - press **300#** (double beep)

Card, fob or user PIN - press **301#** (double beep)

Card, fob and user PIN - press **302#** (double beep)

Note: The Entry PIN, and the Add or Delete cards or fobs will allow access whatever the unlock mode is set to.

2.9 Unlock Time

In admin mode:-

Press **4nn#** (double beep).

Or In admin mode press **400#** to enter toggle mode i.e. swipe the card to unlock and then swipe the card again to lock.

Note: **nn** = Time in seconds between **01-99**.

2.10 Safe Mode

Safe mode has 3 settings. Off, Lock and Alarm.

If set to Lock then scanning unprogrammed cards or entering an incorrect PIN 10 times in 5 minutes will lock the unit for 1 minute and will automatically call the monitor.

Alarm mode is the same as Lock mode but the keypad will also beep rapidly for 1 minute.

In admin mode:-

Off - press **500#** (double beep).

Lock - press **501#** (double beep).

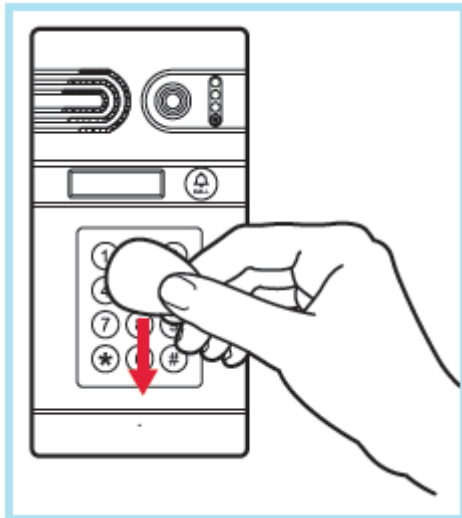
Alarm - press **502#** (double beep).

Operation

Depending on the [unlock mode](#)⁷ doors can be opened either using a card/fob or PIN or card/fob and PIN.

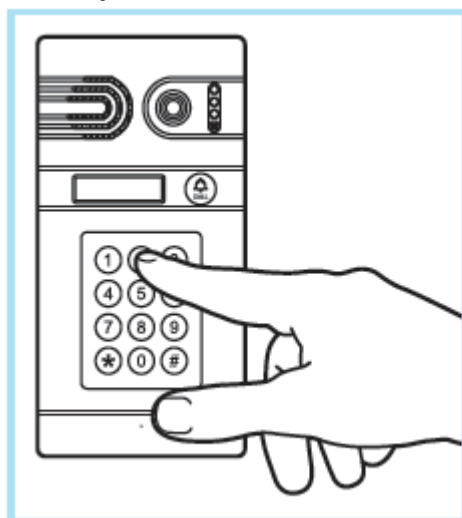
When the [unlock mode](#)⁷ is set to card/fob and PIN the card/fob must be swiped first.

Using A Card or Key fob



To release an electronic door with a paired card or key fob just swipe it across the keypad and you will hear a Two short beeps Four beeps indicate that the card or key fob is not paired with the door camera.

Entering PINS



To release an electronic door using a PIN simply enter the key code followed by the '#' key. You will hear a two short beeps if the key code is correct. If incorrect you will hear four short beeps.

Appendix

- [Default Settings](#)¹⁰
- [Connections](#)¹¹
- [Installation](#)¹²
- [Specification](#)¹³

4.1 Default Settings

Admin PIN 999999
Entry Pin No Default
Unlock Mode Card or PIN
Unlock Time 2s
Safe Mode Off

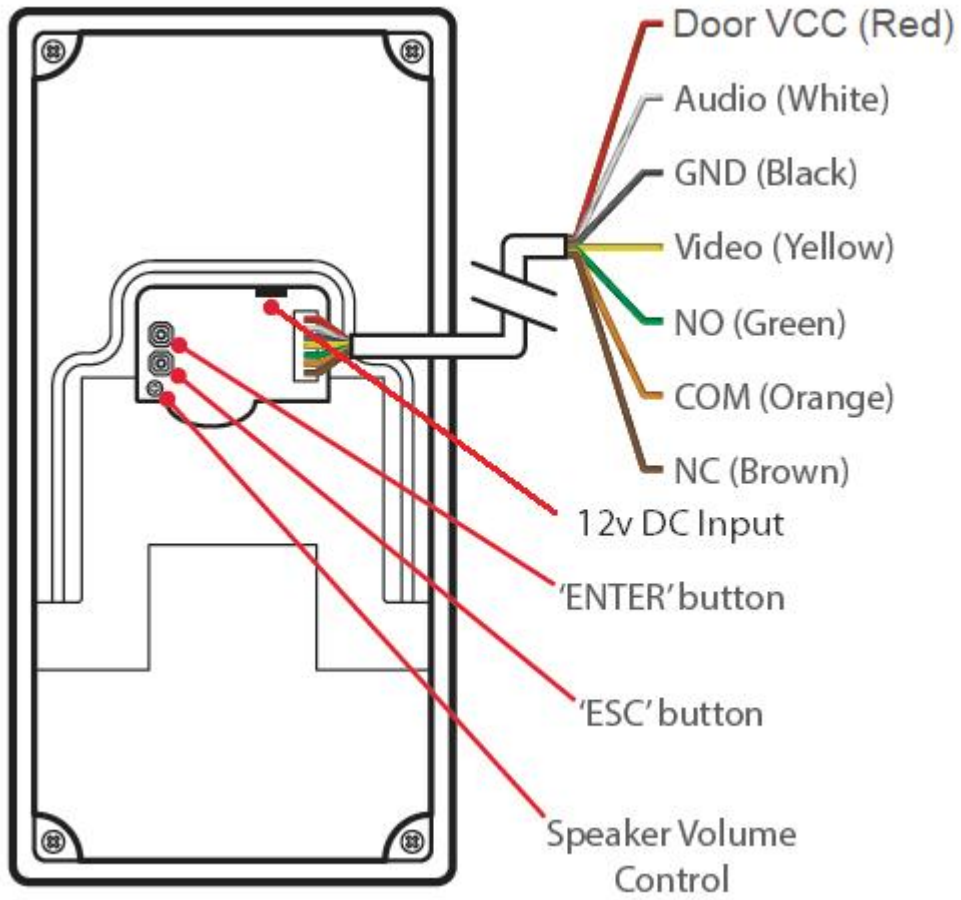
Defaulting

To default the settings in admin mode press **099#** a single long beep indicates success. This will default settings including the admin password and remove the Entry PIN but will not delete the programmed cards, fobs or user PIN's.

If the admin password is forgotten then a hard reset will have to be carried out. This is achieved by holding down both the ENTER and ESC buttons whilst powering on. The VDP103 will beep three times to show it has been defaulted. This will not have removed the programmed cards, fobs or user PIN's.

To remove all programmed cards, fobs or user PIN's see [Deleting All Cards and Fobs](#)⁶

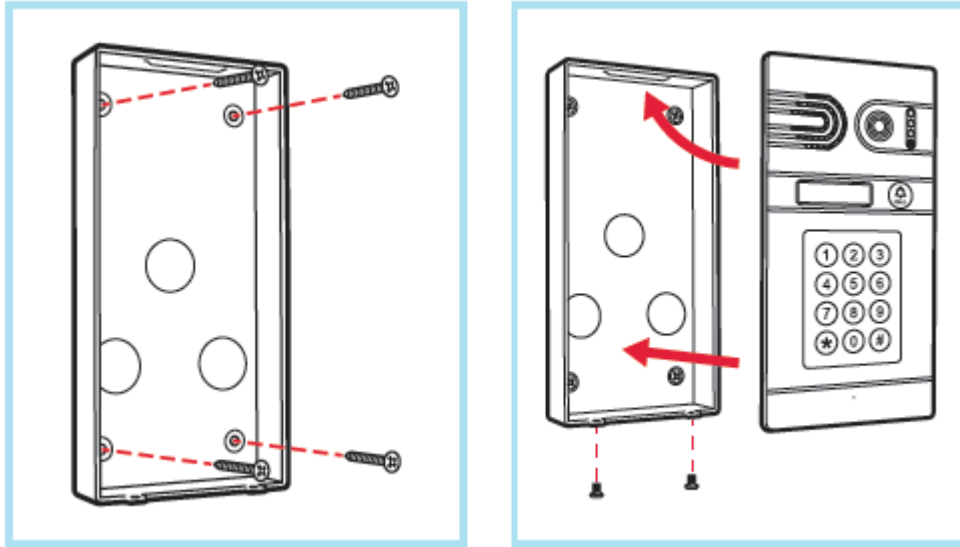
4.2 Connections



Note: The VDP103 is now powered by the 2.1mm DC socket only.

4.3 Installation

When mounting the door entry camera we recommend that it is installed between 150 to 160cm above the floor (About 5 feet) and where it will not be in direct sunlight. If you choose to recess mount the camera you will need to create a recess of 200mm (h) x 96mm (w) x 29mm (d). It is important that the recess created is no more than 30mm deep as you will not be able to secure the camera



4.4 Anti-Tamper Alarm

The VDP103 has an anti-tamper alarm built in.

The alarm is triggered if the VDP103 is moved when powered up but may also be triggered if the VDP103 is not vertical.

To avoid this the top of the VDP103 just needs to be raised slightly.

The alarm will reset after one minute but may retrigger if still not vertical or if moved.

Disabling the Anti-Tamper Alarm

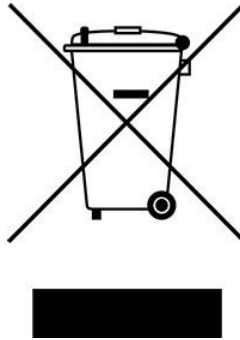
Hold down the Call button when powering on (five beeps) then release the call button. Anti-Tamper is now disabled until the power is cycled.

4.5 Specification

Image Sensor	1/3" CMOS
Resolution	800TVL
Lens Type	3.6mm Board / 85° Viewing Angle
Power	12V DC ≤300mA (12V DC 1A PSU Supplied)
Build	Rust-proof aluminium alloy
Dimensions	(H) 210 x (W) 105 x (D) 32mm
RFID Cards or Fobs	upto 200
RFID Frequency	13.56 MHZ

Conditions

All specifications are approximate. System Q Ltd reserves the right to change any product specifications or features without notice. Whilst every effort is made to ensure that these instructions are complete and accurate, System Q Ltd cannot be held responsible in any way for any losses, no matter how they arise, from errors or omissions in these instructions, or the performance or non-performance of the equipment that these instructions refer to.



This symbol on the products and/or accompanying documents means that used electronic equipment must not be mixed with general household waste. For treatment, recovery and recycling please return this unit to your trade supplier or local designated WEE/CG0783SS collection point as defined by your local council.

© Copyright 2022

DoorKnox is a registered trademark of System Q Ltd, Chesterfield, Derbyshire, S40 2WB

Index

- A -

- Adding a Card or Fob 4
- Adding a PIN to a Card or Fob 5
- Admin Cards 4
- Admin Mode 2
- Admin PIN 4
- Anti-tamper Alarm 12

- C -

- Connections 11
- Copyright 14

- D -

- Default Settings 10
- Defaulting 10
- Deleting a Card or Fob 5

- E -

- Entry PIN 4

- I -

- Installation 12
- Introduction 1

- O -

- Operation 9

- P -

- Programming 2

- S -

- Safe Mode 8
- Specification 13

- U -

- Unlock Mode 7
- Unlock Time 7