

Door Entry System - Door Knox

The Door Knox entry system has a 7” touch screen with hands free intercom.



The VDP500 Door Knox colour video door phone system can be used to control an electronic door lock or electrically operated outdoor gate as well as providing a hands free intercom facility with colour video 7” LCD display with talkback facility. The system can be extended for up to four indoor monitor displays and two outdoor door cameras.

The outdoor camera unit has a control button, for audio and video display on the internal monitor but the internal monitor can also be used to view the camera/s by pressing the view button/s.

The internal monitor with video and audio will switch off after one minute automatically. It has control switches for playing sixteen different melodies with volume control adjustment, brightness and contrast for video display and volume control for talk back.

VDP500 Door Knox Camera & Monitor Kit Contents

The VDP500 consists of the following components:

- 1 x 7” Colour Door Knox Monitor with securing backplate VDP200
- 1 x Door Knox Camera Unit, mounting bracket and screws VDP100
- 2 x Fly Leads for connecting cameras (note one spare for connecting additional camera)
- 1 x White 4 core Extension Cable approximately 14 metres
- 1 x 12vDC 1.1A power supply unit

Door Entry System - Door Knox

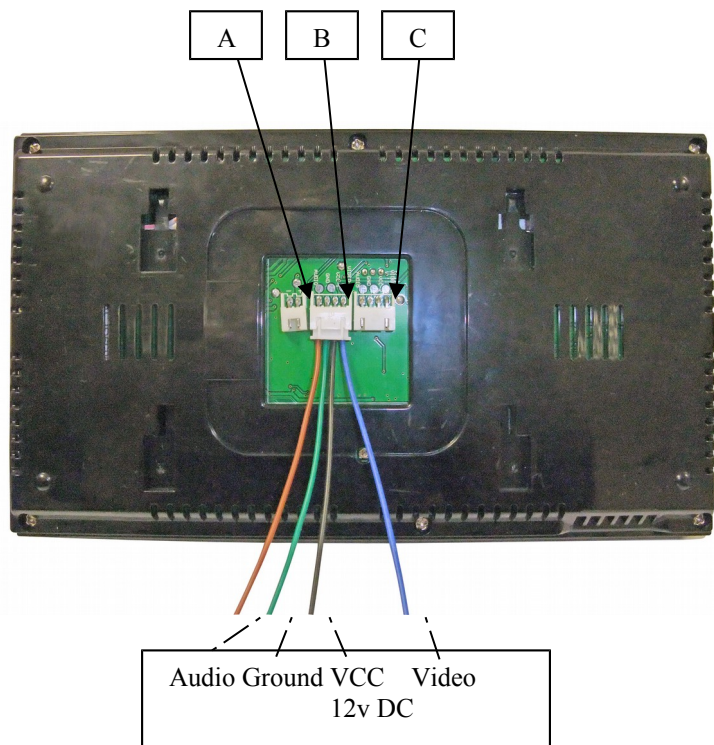
Safety Instructions

1. Ensure that the indoor monitor is not subject to high temperature or high humidity and must not be subject to direct sunlight.
2. The indoor monitor must not be installed close to a television as this may cause interference.
3. The indoor monitor should not be handled with wet hands.
4. Clean the indoor monitor and camera with a soft cloth and do not use liquids or solvents.
5. Ensure that the equipment is not subject to shock.
6. It is recommended to not point the camera at direct sunlight as this may affect picture quality.
7. To prevent damage the indoor monitor should be fastened to a wall.
8. Always use a 12vDC >1.1A regulated power supply.

Installation Instructions

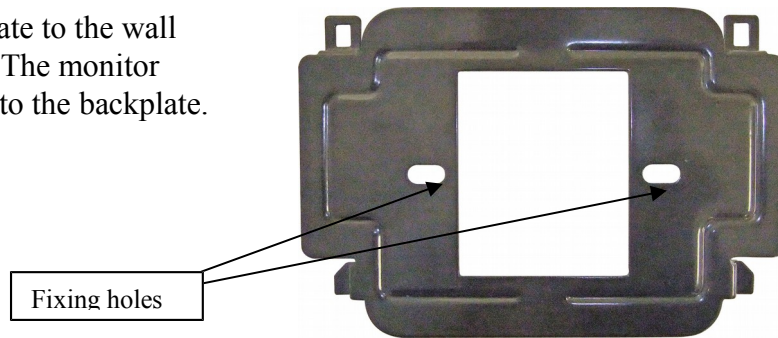
Connecting Indoor Monitor

1. Connect a fly lead to B.
2. Connect wires to white extension cable using a terminal connector (not supplied) noting cables used for audio, ground, power and video.
3. Connect power supply to A but do not power up yet.
4. If you are installing a second camera connect second fly lead to C and follow step 2.



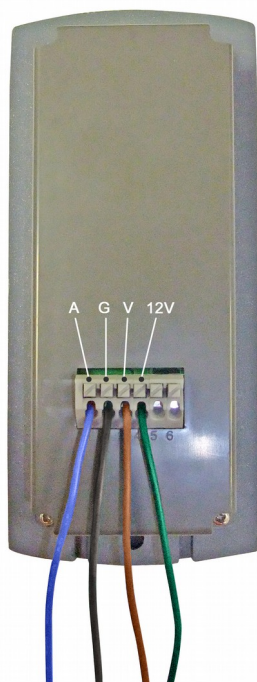
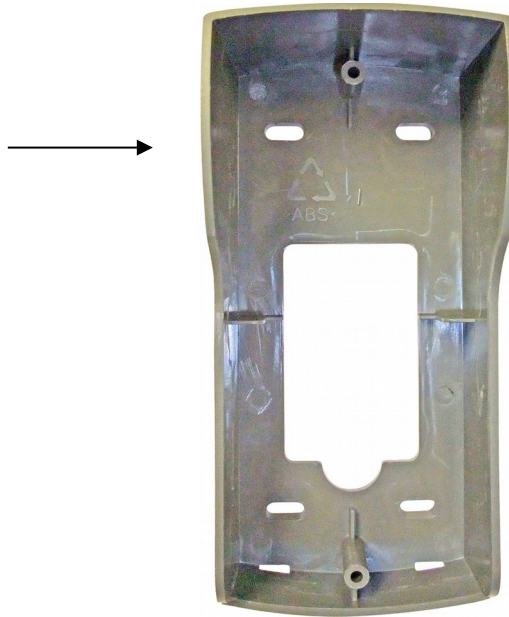
Door Entry System - Door Knox

5. Fit the monitor backplate to the wall as shown on the right. The monitor can now be clipped onto the backplate.



Connecting Camera Unit

6. Fit the camera bracket to a post or wall. This provides protection from the weather.



audio ground video VCC 12vDC

7. Connect the white extension cable to the camera ensuring the wires are connected as shown. Press grey square above wire entry to enter cable.

8. Note that Connection 1 is Audio
 Connection 2 is Ground
 Connection 3 is Video
 Connection 4 is VCC 12v DC

Be aware that connections for video and 12vDC are reversed on monitor.

9. Connect Electronic Lock to 5 and 6. Note that a zero volt switch is momentarily activated when pressing the unlock button. If you have a voltage controlled solenoid and/or require a latching connection, you will have to use an appropriate interface.

Warning!

The order of the coloured wires may differ to those in the picture. Ensure you wire according to the text.

Door Entry System - Door Knox

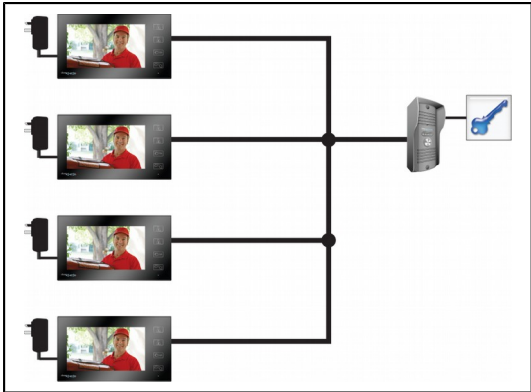


11. Connect the camera to the camera bracket by removing the black rubber plug, securing with screws provided and replacing black rubber plugs to ensure weatherproof.
12. Power up system.

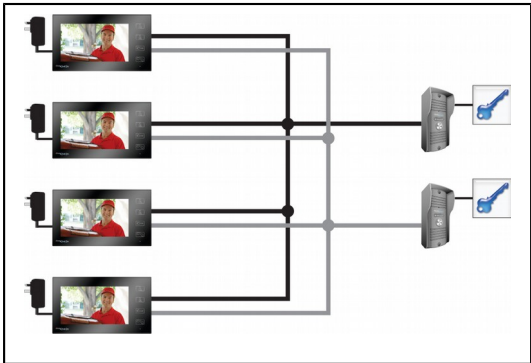
Additional Cameras and/or indoor Monitors

You can install one camera with 1 ~ 4 monitors or two cameras with 1 ~ 4 monitors. The examples below show how these are wired.

1 camera unit with 1 ~ 4 monitors



2 camera units with 1 ~ 4 monitors



The white 4 core extension cable is approximately 14 metres long. If you need a longer run please note that to avoid voltage drop, you will need to use a heavier cable size as follows:

- ≤ 28 metre cable core size ≥ 0.2mm²
- ≤ 50 metre cable core size ≥ 0.3mm²
- ≤ 70 metre cable core size ≥ 0.5mm²

Door Entry System - Door Knox

Operating Instructions

1. Outdoor Camera

When a visitor presses the **CALL** button on the outdoor camera unit, a melody will be played on the indoor monitor and a picture will be displayed.

Press the **TALK** (phone) button on one of the monitors ensuring all monitors are in Monitor mode.

Press the **TALK** button again to end. The call will last for one minute. The call will automatically close down after one minute if not answered.



If the **CALL** button is pressed again and the monitor is still on, the melody will play again but the monitor will close down after one minute if nobody answers from the monitor.

2. Unlock Door or Gate

When visitor calls from the outdoor camera unit, press the **UNLOCK** button or you can press whilst talking to your visitor. The door/gate will be unlocked. Although opened the system is still on and will turn off automatically after one minute, unless you press the **TALK** button to close communication immediately.



3. Indoor Monitor

Press either **CAMERA 1** or **CAMERA 2** button and the camera will display the outside picture. Press the same button to close. The monitoring time is one minute. The door and gate can be unlocked and you can also press the **TALK** button. Again press this button to close or wait one minute.



4. Indoor Monitor Controls



- a. Volume Control
- b. Contrast Control
- c. Brightness Control
- d. Melody selection 16 different melodies
- e. Melody Volume (L / M / H) Low, Medium or High volume.

Door Entry System - Door Knox

Technical Specifications

Voltage	12v DC
Current	Standby Mode 40mA
	Operating 400mA
Working Distance	≤ 28 metres core size ≥ 0.2mm²
	≤ 50 metres core size ≥ 0.3mm²
	≤ 70 metres core size ≥ 0.5mm²
Power Supply	12v DC 1.1A
Unlock Function	Provides non latching zero volt switch 5A normally open Relay contact
Intercom Type	Hands free 2 way intercom
Working Temperature	-10°C ~ +50°C Indoor Monitor
	-10°C ~ +50°C Outdoor Monitor



*See who's at the door,
before they see you!*

All specifications are approximate. doorknox.com reserves the right to change any product specifications or features without notice. Whilst every effort is made to ensure that these instructions are complete and accurate, doorknox.com cannot be held responsible in any way for any losses, no matter how they arise, from errors or omissions in these instructions, or the performance or non-performance of the equipment that these instructions refer to.



WEE/CG0783SS

This symbol on the products and/or accompanying documents means that used electronic equipment must not be mixed with general household waste. For treatment, recovery and recycling please return this unit to your trade supplier or local designated collection point as defined by your local council.